



The new degree of comfort.™

Rheem Classic® Series Two-Stage Heat Pump



RP16 Series

Efficiencies: 15-16 SEER/11.5-13 EER

Nominal Sizes 2, 3, 4 and 5 Ton

[7.03, 10.6, 14.06 and 17.6 kW]

Cooling Capacities 17.3 to 60.5 kBTU

[5.7 to 17.7 kW]



"Proper sizing and installation of equipment is critical to achieve optimal performance. Split system air conditioners and heat pumps must be matched with appropriate coil components to meet Energy Star. Ask your Contractor for details or visit www.energystar.gov."

- New composite base pan – dampens sound, captures louver panels, eliminates corrosion and reduces number of fasteners needed
- Improved tubing design – reduces vibration and stress, making unit quieter and reducing opportunity for leaks
- Optimized defrost characteristics - decrease defrosting and provide better home comfort
- Powder coat paint system – for a long lasting professional finish
- Optimized reversing valve sizing – improves shifting performance for quieter unit operation and increased life of the system
- Enhanced mufflers – help to dissipate vibration energy for quieter unit operation
- Scroll compressor – a sound abating feature added to the compressor significantly reduces noise when system transitions in and out of defrost mode
- Modern cabinet aesthetics – increased curb appeal with visually appealing design
- Curved louver panels – provide ultimate coil protection, enhance cabinet strength, and increased cabinet rigidity
- Optimized fan orifice – optimizes airflow and reduces unit sound
- Rust resistant screws – confirmed through 1500-hour salt spray testing
- PlusOne™ **Expanded Valve Space** – 3"-4"-5" service valve space – provides a minimum working area of 27-square inches for easier access
- Integrated heat pump lift receptacle – allows standard CPVC stands to be inserted into the base
- PlusOne™ **Triple Service Access** – 15" wide, industry leading corner service access – makes repairs easier and faster. The two fastener removable corner allows optimal access to internal unit components. Individual louver panels come out once fastener is removed, for faster coil cleaning and easier cabinet reassembly
- Diagnostic service window with two-fastener opening – provides access to the TXV valves and the heat pump reversing valve before opening the unit.
- External gauge port access – allows easy connection of "low-loss" gauge ports
- Single-row condenser coil – makes unit lighter and allows thorough coil cleaning to maintain "out of the box" performance
- 35% fewer cabinet fasteners and fastener-free base – allow for faster access to internal components and hassle-free panel removal
- Service trays – hold fasteners or caps during service calls
- QR code – provides technical information on demand for faster service calls
- Fan motor harness with extra-long wires – allows unit top to be removed without disconnecting fan wire



TABLE OF CONTENTS

Standard Feature Table	3
Available SKUs	3
Features & Benefits	4-5
Model Number Identification	6-7
Physical Data	8
Electrical Data	8
Accessories	9
Weighted Sound Power	9
Thermostats.....	9
Unit Dimensions.....	10
Clearances.....	11
Wiring Diagrams	12
Application Guidelines.....	12
Refrigerant Line Size Information.....	13-14
Performance Data	15-18
Guide Specifications	19
Limited Warranty	20



Standard Feature Table

Feature	24	36	48	60
R-410a Refrigerant	√	√	√	√
Maximum SEER	16	16	16	16
Maximum EER	13	13	12.5	12.5
Scroll Compressor	√	√	√	√
Field Installed Filter Drier	√	√	√	√
Front Seating Service Valves	√	√	√	√
High Pressure Switch	√	√	√	√
Low Pressure Switch	√	√	√	√
Internal Pressure Relief Valve	√	√	√	√
Internal Thermal Overload	√	√	√	√
Long Line capability	√	√	√	√
Low Ambient capability with Kit	√	√	√	√
3-4-5 Service Valve Access	√	√	√	√
Composite Basepan	√	√	√	√
3 Screw Control Box Access	√	√	√	√
15" Access to Internal Components	√	√	√	√
Quick release louver panel design	√	√	√	√
No fasteners to remove along bottom	√	√	√	√
Optimized Venturi Airflow	√	√	√	√
Single row condenser coil	√	√	√	√
Powder coated paint	√	√	√	√
Rust resistant screws	√	√	√	√
QR code	√	√	√	√
External gauge ports	√	√	√	√
Service trays	√	√	√	√

√ = Standard

Available SKU

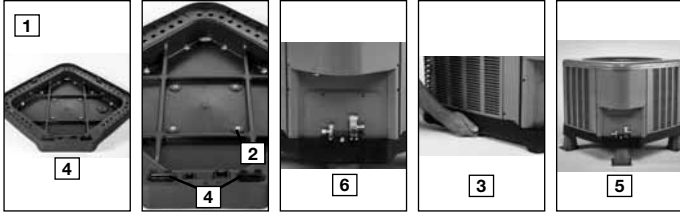
Available Models	Description
RP1624AJ2NA	<i>Classic</i> ® 2 ton 16 SEER Two-Stage Heat Pump-208/230/1/60
RP1636AJ2NA	<i>Classic</i> ® 3 ton 16 SEER Two-Stage Heat Pump-208/230/1/60
RP1648AJ2NA	<i>Classic</i> ® 4 ton 16 SEER Two-Stage Heat Pump-208/230/1/60
RP1660AJ2NA	<i>Classic</i> ® 5 ton 16 SEER Two-Stage Heat Pump-208/230/1/60



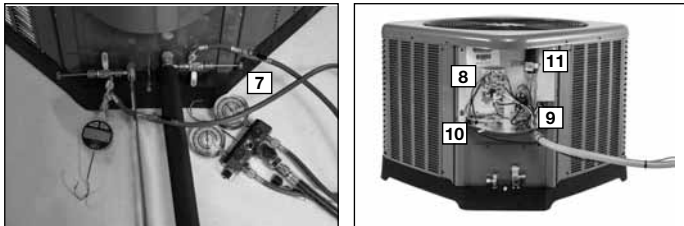
Introduction to RP16 Heat Pump

The RP16 is our 16 SEER heat pump and is part of the Rheem heat pump product line that extends from 14 to 20 SEER. This highly featured and reliable heat pump is designed for years of reliable, efficient operation when matched with Rheem indoor aluminum evaporator coils and furnaces or air handler units with aluminum evaporators.

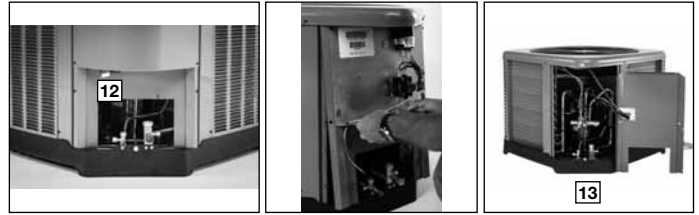
Our unique composite base (1) reduces sound emission, eliminates rattles, significantly reduces fasteners, eliminates corrosion and has integrated brass compressor attachment inserts (2). Furthermore it has incorporated into the design, water management features, means for hand placement (3) for unit maneuvering, screw trays (4) and inserts for lifting unit off pad. (5)



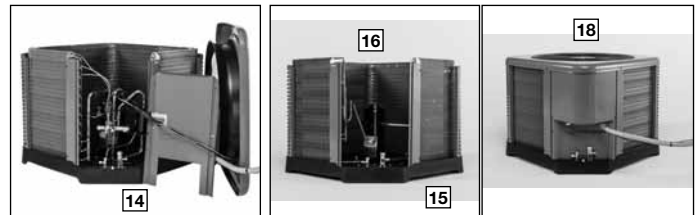
Service Valves (6) are rigidly mounted in the composite base with 3" between suction and discharge valves, 4" clearance below service valves and a minimum of 5" above the service valves, creating industry leading installation ease. The minimum 27-square inches around the service valves allows ample room to remove service valve schrader prior to brazing, plenty of clearance for easy brazing of the suction and discharge lines to service valve outlets, easy access and hookup of low loss refrigerant gauges (7), and access to the service valve caps for opening. For applications with long-line lengths up to 250 feet total equivalent length, up to 200 feet heat pump above evaporator, or up to 80 feet evaporator above heat pump, the long-line instructions in the installation manual should be followed.



Controls are accessed from the corner of the unit by removing only two fasteners from the control access cover, revealing the industry's largest 15" wide and 14" tall control area (8). With all this room in the control area the high voltage electrical whip (9) can easily be inserted through the right size opening in the bottom of the control area. Routing it leads directly to contractor lugs for connection. The low voltage control wires (10) are easily connected to units low voltage wiring. If contactor, defrost control or capacitor (11) needs to be replaced there is more than adequate space to make the repair. Furthermore, the service window (12) can be removed to access the TXV and reversing valve by removing two screws or the entire corner can be removed providing ultimate access to the TXV or reversing valve. (13)



If in the rare event, greater access is needed to internal components, such as the compressor, the entire corner of the unit can be removed along with the top cover assembly to have unprecedented access to interior of the unit (14). Extra wire length is incorporated into each outdoor fan and compressor so top cover and control panel can be positioned next to unit. With minimal effort the plug panel can be removed from the compressor and the outdoor fan wires can be removed from the capacitor to allow even more uncluttered access to the interior of the unit (15). Outdoor coils heights range from as short as 25" to 45", aiding access to the compressor. Disassembly to this degree and complete reassembly only takes a first time service technician less than 10 minutes. (18)



All units utilize strong formed louver panels which provide industry leading coil protection. Louver removal for coil cleaning is accomplished by removing one screw and lifting the panel out of the composite base pan (17). All RP16 units utilize single row coils (16) making cleaning easy and complete, restoring the performance of the heat pump back to out of the box performance levels year after year.

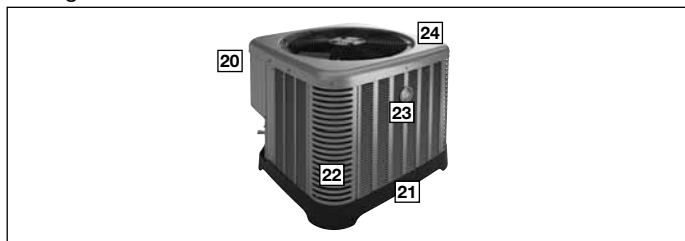


The outdoor fan motor has sleeve bearings and is inherently protected. The motor is totally enclosed for maximum protection from weather, dust and corrosion. Access to the outdoor fan is made by removing four fasteners from the fan grille. The outdoor fan can be removed from the fan grille by removing 4 fasteners in the rare case outdoor fan motor fails.

Each cabinet has optimized composite (19) fan orifice assuring efficient and quiet airflow.

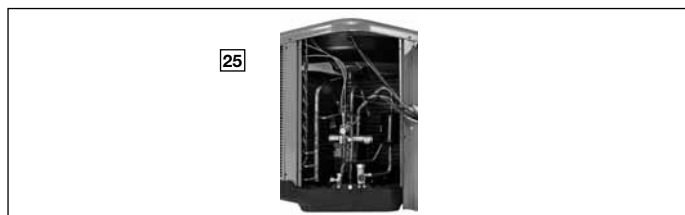


The entire cabinet has powder post paint (20) achieving 1000 hour salt spray rating, allowing the cabinet to retain its aesthetics throughout its life.



Scroll compressors with standard internal pressure relief and internal thermal overload are used on all capacities assuring longevity of high efficient and quiet operation for the life of the product. All RP16 Heat Pumps come standard with high and low pressure switches.

Each unit is shipped with filter drier for field installation and will trap any moisture or dirt that could contaminate the refrigerant system.



All cabinets have industry leading structural strength due to the composite base pan (21), interlocking corner post (22), formed curved louver panels (23) and drawn top cover (24) making it the most durable cabinet on the market today.

Each RP16 capacity has undergone rigorous psychrometric testing to assure performance ratings of capacity, SEER, EER and HSPF per AHRI Standard 210/240 rating conditions. Also each unit bears the UL mark and each unit is certified to UL 1995 safety standards.



Each unit has undergone specific strain and modal testing to assure tubing (25) is outside the units natural frequency and that the suction and discharge lines connected to the compressor withstand any starting, steady state operation or shut down forces imposed by the compressor.

All units have been sound tested in sound chamber to AHRI 270 rating conditions, and A-weighted Sound Power Level tables produced, assuring units have acceptable noise qualities (see page 9). Each unit has been ran in cooling operation at 95°F and 47°F and sound ratings for the RP16 range from as low as 73 dBA to 79 dBA.

All units have been ship tested to assure units meet stringent “over the road” shipping conditions.

As manufactured all units in the RP16 family have cooling capability to 55 °F. Addition of low ambient control will allow the unit to operate down to 0°F.

Factory testing is performed on each unit. All component parts meet well defined specification and continually go through receiving inspections. Each component installed on a unit is scanned, assuring correct component utilization for a given unit capacity and voltage. All condenser coils are leak tested with pressurization test to 550#’s and once installed and assembled, each units’ complete refrigerant system is helium leak tested. All units are fully charged from the factory for up to 15 feet of piping. All units are factory run tested. The RP16 has a 10-year conditional compressor and parts warranty (registration required).

Optional Accessories (Refer to accessory chart for model #)

Compressor Crankcase Heater

- Protects against refrigerant migration that can occur during low ambient operation

Compressor Sound Cover

- Reinforced vinyl compressor cover containing a 1½ inch thick batt of fiberglass insulation
- Open edges are sealed with a one-inch wide hook and loop fastening tape

Compressor hard Start Kit

- Single-phase units are equipped with a PSC compressor motor. This type of motor normally does not need a potential relay and start capacitor
- In conditions such as low voltage, this kit may be required to increase the compressor starting torque

Low Ambient Kit

- Heat Pump operate satisfactorily in the cooling mode down to 55°F outdoor air temperature without any additional controls
- Kit can be added in the field enabling unit to operate properly down to 0° in the cooling mode
- Crankcase heater and freezestat should be installed on compressors equipped with a low ambient kit

3"/6"/12"

- Gray high density polyethylene feet are available to raise unit off of mounting surface away from moisture



Heat Pumps

<u>R</u>	<u>P</u>	<u>14</u>	<u>24</u>	<u>A</u>	<u>J</u>	<u>1</u>	<u>N</u>	<u>A</u>	<u>*</u>
Brand	Product Category	SEER	Capacity BTU/HR	Major Series*	Voltage	Type	Controls	Minor Series**	Option Code
Rheem	P - HP	13 - 13 SEER 14 - 14 SEER 15 - 15 SEER 16 - 16 SEER 17 - 17 SEER 20 - 20 SEER	18 - 1.5 T 24 - 2.0 T 30 - 2.5 T 36 - 3.0 T 42 - 3.5 T 48 - 4.0 T 60 - 5.0 T	A - 1st Design B - 2nd Design	J - 1ph, 208-230/60 C - 3ph, 208-230/60 D - 3ph, 460/60	1 - Single-stage V - Inverter P - Piston 2 - Two-stage	C - Communicating N - Non-communicating	A - 1st Design	*TBD

Air Conditioners (For Reference)

<u>R</u>	<u>A</u>	<u>14</u>	<u>24</u>	<u>A</u>	<u>J</u>	<u>1</u>	<u>N</u>	<u>A</u>	<u>*</u>
Brand	Product Category	SEER	Capacity BTU/HR [kW]	Major Series*	Voltage	Type	Controls	Minor Series**	Option Code
Rheem	A - AC	13 - 13 SEER 14 - 14 SEER 16 - 16 SEER 17 - 17 SEER 20 - 20 SEER	18 - 1.5 T 24 - 2.0 T 30 - 2.5 T 36 - 3.0 T 42 - 3.5 T 48 - 4.0 T 60 - 5.0 T	A - 1st Design B - 2nd Design	J - 1ph, 208-230/60 C - 3ph, 208-230/60 D - 3ph, 460/60	1 - Single-stage 2 - Two-stage V - Inverter	C - Communicating N - Non-communicating	A - 1st Design	*TBD

Furnace Coils (For Reference)

<u>R</u>	<u>C</u>	<u>E</u>	<u>17</u>	<u>24</u>	<u>S</u>	<u>I</u>	<u>A</u>	<u>M</u>	<u>C</u>	<u>*</u>
Brand	Product Category	Type	Width	Capacity BTU/HR	Efficiency	Metering Device	Major Series*	Orientation	Casing	Minor Series**
R - Rheem	C - Evap Coil H - Air-Handler Coil	F - Furn Coil H - Air-Handler Coil	14 - 14" 17 - 17.5" 21 - 21" 24 - 24.5"	24 - 2 ton 36 - 3 ton 48 - 4 ton 60 - 5 ton	S- Standard Eff. M- Mid Eff. H- High Eff.	T-TXV E-EEV P-Piston	A - 1st Design	M - Multi-poise V - Vertical H - Ded. Horizontal only	C - Cased U - Uncased	A - 1st Design

[J] Designates Metric Conversions



90%+ AFUE Gas Furnaces (For Reference)

R	96	V	A	70	2	3	17	M	S	A
Brand	Series	Motor	Major Rev	Input	Stages	Air Flow	Cabinet Width	Configuration	Nox	Minor Rev
Rheem	90 - 90 AFUE 92 - 92 AFUE 95 - 95 AFUE 96 - 96 AFUE 97 - 97 AFUE	V = Variable speed T = Constant Torque (X-13) P = PSC	A - 1st Design	040 = 42K 060 = 56K 070 = 70K 080 = 85K 100 = 98K 115 = 112K	1 = Single-stage 2 = 2-stage M = Modulating	3 = up to 3 ton 5 = 3 1/2 up to 5 ton	14 - 14" 17 - 17.5" 21 - 21" 24 - 24.5"	M - Multi	X - Low Nox S - Standard	A - 1st Design

80% AFUE Gas Furnaces (For Reference)

R	80	2	V	A	075	3	17	M	S	A
Brand	Series	Stages	Motor	Major Rev	Input	Air Flow	Cabinet Width	Configuration	Nox	Minor Rev
Rheem	80 = 80+ AFUE	1 = Single-stage 2 = 2-stage M = Modulating	V = Variable speed T = Constant Torque (X-13) P = PSC premium S = PSC standard	A = 1st Design	050 = 50K 075 = 75K 100 = 100K 125 = 125K 150 = 150K	3 - up to 3 ton 4 - 2 1/2 to 4 ton 5 - 3 1/2 up to 5 ton	14 - 14" 17 - 17.5" 21 - 21" 24 - 24.5"	M - Multi D - Down Z - Down & zero clearance down flow	X - Low Nox S - Standard	A - 1st Design

Air Handlers (For Reference)

R	H	1	T	24	17	S	T	A	N	A	A	000	*	-
Brand	Product Category	Stages of Airflow	Motor Type	Capacity	Width	Coil Size	Metering Device	Major Series*	Controls	Voltage	Minor Series**	Factory Heat Cap	Option Code	
Rheem	H = Air Handler	1 - Single-stage 2 - Two-stage M - Modulating	V - Variable Speed T - Constant Torque P - PSC	24 - 2 ton 36 - 3 ton 48 - 4 ton 60 - 5 ton	14 - 14" 17 - 17.5" 21 - 21" 24 - 24.5"	S - Standard Eff. M - Mid Eff. H - High Eff.	T - TEV E - EEV P - Piston	A - 1st Design	C - Communicating N - Non-communicating	A - 1ph, 115/60 J - 1ph, 208-240/60 D - 3ph, 480/60	A - 1st Design	blank - no factory heat and option code 00 - no factory heat with option code	blank - none *TBD	

[] Designates Metric Conversions



Air

Physical Data/Electrical Data
RP16 Series

Physical Data				
Model No. #	RP1624A	RP1636A	RP1648A	RP1660A
Nominal Tonnage	2.0	3.0	4.0	5.0
Valve Connections				
Liquid Line O.D. – in.	3/8	3/8	3/8	3/8
Suction Line O.D. – in.	3/4	3/4	7/8	7/8
Refrigerant (R410A) furnished oz.¹	136.8	155.7	196	256
Compressor Type	Two Stage Scroll			
Outdoor Coil				
Net face area – Outer Coil ft ²	17.3	19.8	28.3	28.3
Net face area – Inner Coil	—	—	—	—
Tube diameter – in.	3/8	3/8	3/8	3/8
Number of rows	1	1	1	1
Fins per inch	20	20	20	20
Outdoor Fan				
Diameter – in.	24	24	26	26
Number of blades	3	3	3	3
Motor hp	1/3	1/3	1/4	1/4
CFM	3100	3435	4600	3654
RPM	654	849	850	850
watts	90	262	255	230
Shipping weight – lbs.	198	206	264	264
Operating weight – lbs.	191	199	257	257

Electrical Data				
Line Voltage Data (Volts-Phase-Hz)	208/230-1-60	208/230-1-60	208/230-1-60	208/230-1-60
Maximum overcurrent protection (amps)²	30	40	50	60
Minimum overcurrent protection (amps)²	20	30	40	45
Minimum circuit ampacity³	20	25	31	38
Compressor				
Rated load amps	13	17	23.6	28.8
Locked rotor amps	58.3	83	104	152.9
Condenser Fan Motor				
Full load amps	2.8	2.8	1.4	1.4
Locked rotor amps			2.6	2.6

¹Refrigerant charge sufficient for 15 ft. length of refrigerant lines. For longer line set requirements see the installation instructions for information about set length and additional refrigerant charge required.

²HACR type circuit breaker or fuse.

³Refer to National Electrical Code manual to determine wire, fuse and disconnect size requirements.



Accessories

Model No.	RP1624A	RP1636A	RP1648A	RP1660A
Compressor crankcase heater	44-17402-44	44-17402-44	Factory Standard	Factory Standard
Low ambient control	RXAD-A08	RXAD-A08	RXAD-A08	RXAD-A08
Compressor sound cover	68-23427-26	68-23427-26	68-23427-25	68-23427-25
Compressor hard start kit	SK-A1	SK-A1	SK-A1	SK-A1
Low pressure control*	Factory Standard	Factory Standard	Factory Standard	Factory Standard
High pressure control*	Factory Standard	Factory Standard	Factory Standard	Factory Standard
Liquid Line Solenoid (24 VAC, 50/60 Hz)	Solenoid Valve	200RD2T3TVLC	200RD2T3TVLC	200RD3T3TVLC
	Solenoid Coil	61-AMG24V	61-AMG24V	61-AMG24V
	Bi-flow kit*	KS30387	KS30387	KS30387
Liquid Line Solenoid (120/240 VAC, 50/60 Hz)	Solenoid Valve	200RD2T3TVLC	200RD2T3TVLC	200RD3T3TVLC
	Solenoid Coil	61-AMG120/240V	61-AMG120/240V	61-AMG120/240V
	Bi-flow kit*	KS30387	KS30387	KS30387
Classic Top Cap w/Label	91-101123-21	91-101123-21	91-101123-21	91-101123-21
Heat Pump Riser – 6 inch	686020	686020	686020	686020

*Bi-flow kits are required when installing a liquid line solenoid on a heat pump.

Weighted Sound Power Level (dBA)

Unit Size – Voltage, Series	Stage	Standard Rating (dBA)	TYPICAL OCTAVE BAND SPECTRUM (dBA without tone adjustment)						
			125	250	500	1000	2000	4000	8000
RP1624A	High	71	45.1	53.6	58.9	61.7	58.9	54.1	51.1
RP1636A	High	76	53.2	54	66.2	66.9	59.3	57.8	51.8
RP1648A	High	74	52	55	64.6	63.5	59.1	56.9	54.8
RP1660A	High	75	52.6	55.4	63	64	60.5	62.3	59.7

NOTE: Tested in accordance with AHRI Standard 270-08 (not listed in AHRI)

Thermostats



200-Series *
Programmable



300-Series *
Deluxe
Programmable

400-Series *
Special Applications/
Programmable

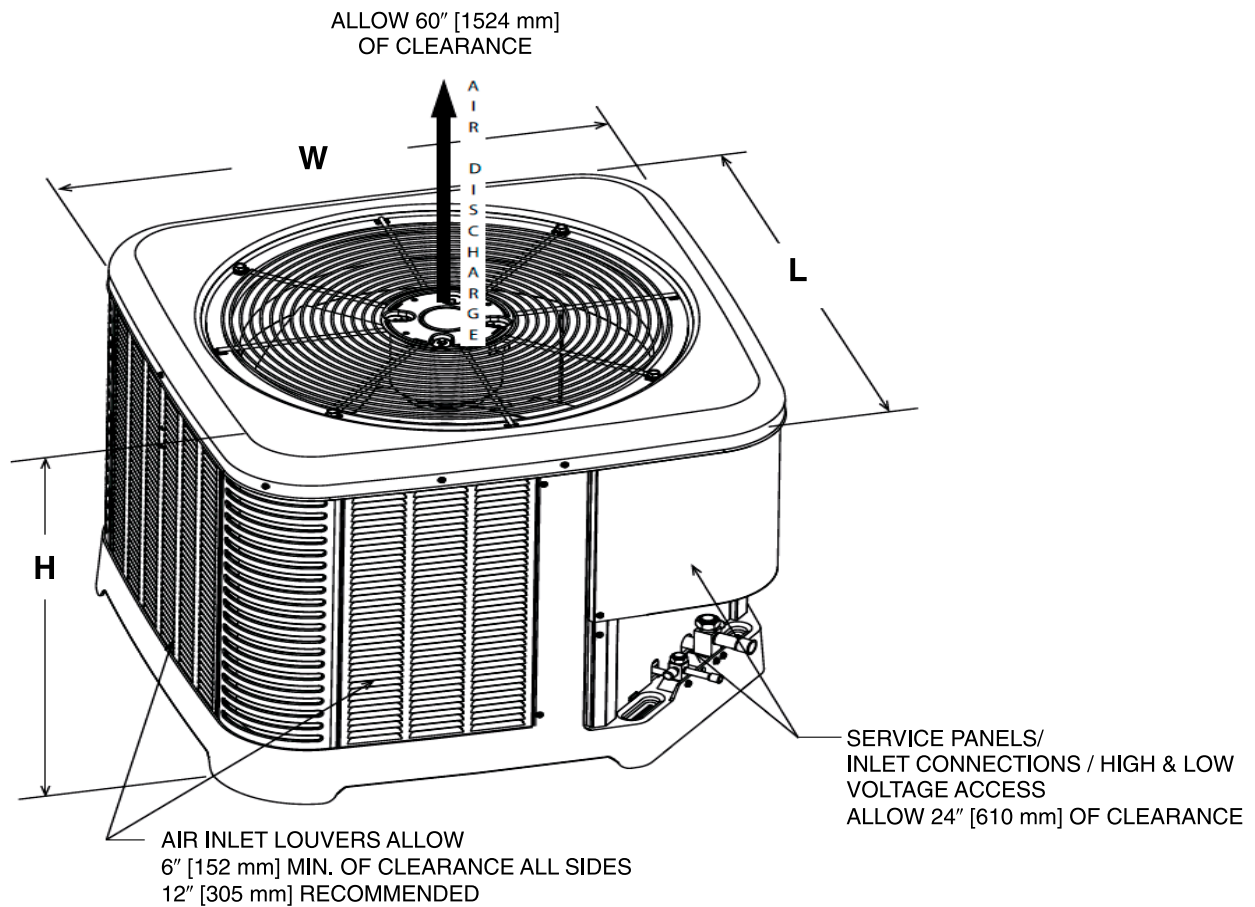
Brand	Descriptor (3 Characters)	Series (3 Characters)	System (2 Characters)	Type (2 Characters)
RHC	TST	213	UN	MS
RHC=Rheem	TST=Thermostat	200=Programmable 300=Deluxe Programmable 400=Special Applications/ Programmable	GE=Gas/Electric UN=Universal (AC/HP/GE) MD=Modulating Furnace DF=Dual Fuel	SS=Single-Stage MS=Multi-Stage

* Photos are representative. Actual models may vary.

For detailed thermostat match-up information,
see specification sheet form number T11-001.

Unit Dimensions

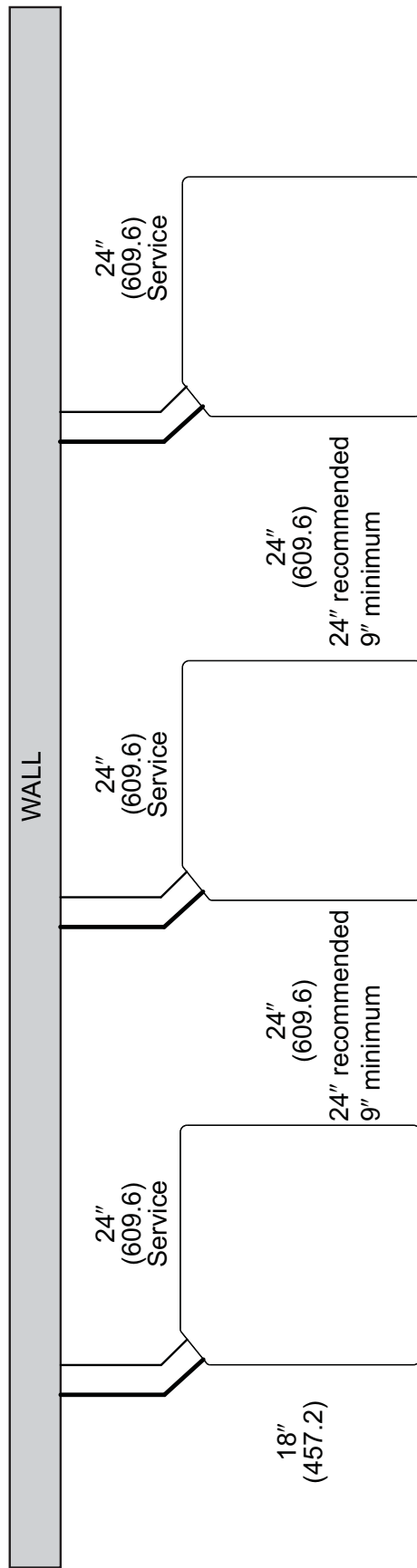
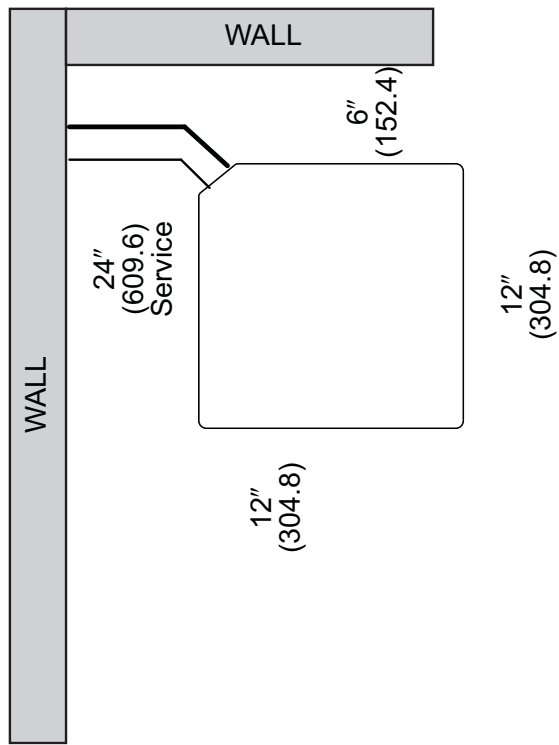
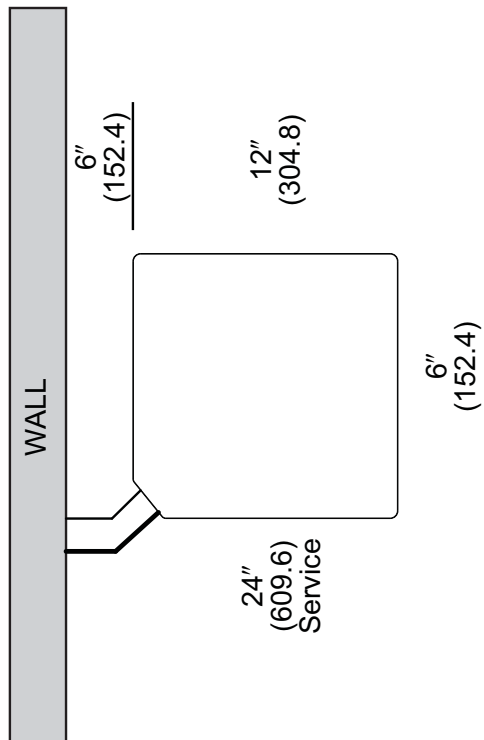
MODEL NUMBER	OPERATING						SHIPPING					
	H (Height)		L (Length)		W (Width)		H (Height)		L (Length)		W (Width)	
	INCHES	mm	INCHES	mm	INCHES	mm	INCHES	mm	INCHES	mm	INCHES	mm
RP1624A	31	787	33.75	857	33.75	857	33.32	846	37.64	956	37.56	954
RP1636A	35	889	33.75	857	33.75	857	38.35	974	37.64	956	37.56	954
RP1648A	45	1143	35.75	908	35.75	908	48.18	1223	39.37	999	39.64	1006
RP1660A	45	1143	35.75	908	35.75	908	48.18	1223	39.37	999	39.64	1006



[] Designates Metric Conversions

ST-A1226-02-00

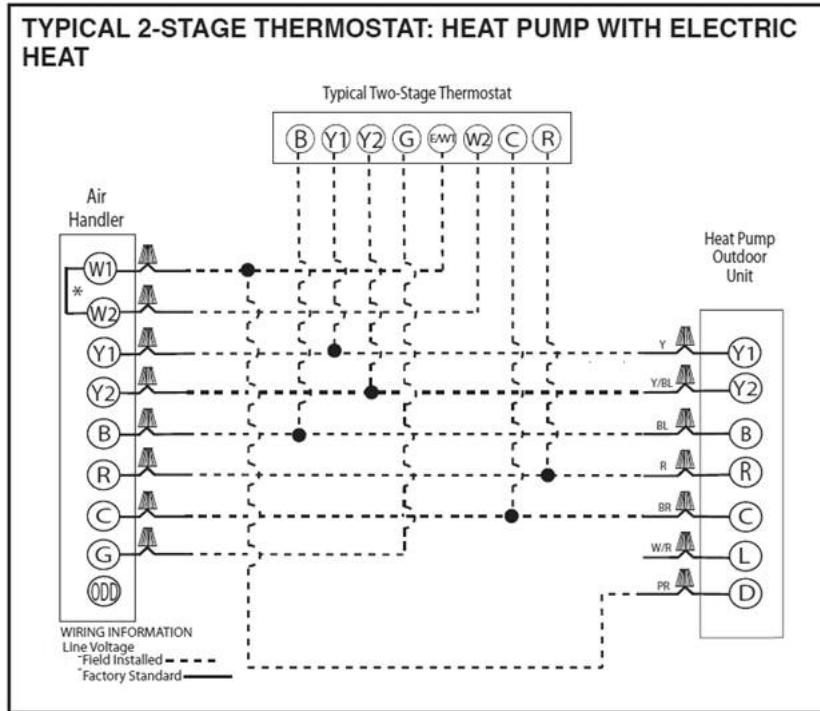
CLEARANCES



NOTE: NUMBERS IN () = mm

IMPORTANT: When installing multiple units in an alcove, roof well or partially enclosed area, ensure there is adequate ventilation to prevent re-circulation of discharge air.

Control Wiring



Application Guidelines

1. Intended for outdoor installation with free air inlet and outlet. Outdoor fan external static pressure available is less than 0.01 -in. wc.
2. Minimum outdoor operation air temperature for cooling mode without low-ambient operation accessory is 55°F (12.8°C).
3. Maximum outdoor operating air temperature is 125°F (51.7°C).
4. For reliable operation, unit should be level in all horizontal planes.
5. For interconnecting refrigerant tube lengths greater than 150 ft. (45.72m) and/or 120 ft. (36.58m) vertical separation, consult Residential Piping and Long line guide.
6. If any refrigerant tubing is buried, provide a 8 in. (203.2mm) vertical rise to the valve connections at the unit. Refrigerant tubing lengths up to 8 ft. (2.44m) may be buried without further consideration. Do not bury refrigerant lines longer than * in (* mm)
7. Use only copper wire for electric connections at unit. Aluminum and clad aluminum are not acceptable for the type of connector provided.
8. Do not apply capillary tube indoor coils to these units.
9. Factory-supplied filter drier must be installed.



Heat Pump Refrigerant Line Size Information (con't.)

R-410A System Capacity Model	Vapor Line Connection Size (Inch I.D.) [mm]	Vapor Line Size (Inch O.D.) [mm]	Vapor Line Selection Chart Capacity Multiplier Table																
			Total Equivalent Length - Feet [m]																
			25 [7.62]	50 [15.24]	75 [22.86]	100 [30.48]	125 [45.72]	150 [45.72]	175 [53.34]	200 [60.96]	225 [68.58]	250 [76.20]	275 [83.82]	300 [91.44]					
RP1624A	3/4" [19.06]	5/8 [15.88] 3/4 [19.05] 7/8 [22.23] 1 [25.4] 1-1/8 [28.58]	0.99	1.00	0.97	0.97	0.96	0.95	0.95	0.94	0.95	0.94	0.94	0.93	0.92	0.92	0.92		
			1.00	0.99	0.99	0.99	1.00	0.99	0.99	0.99	0.99	0.98	0.98	0.99	0.98	0.97	0.97	0.97	
			1.00	1.00	1.00	1.00	0.99	0.99	0.99	0.99	0.99	0.99	0.99	0.99	0.99	0.99	0.99	1.00	1.00
			N/R	N/R	N/R	N/R	N/R	N/R	N/R	N/R	N/R	N/R	N/R	N/R	N/R	N/R	N/R	N/R	N/R
RP1636A	3/4" [19.06]	5/8 [15.88] 3/4 [19.05] 7/8 [22.23] 1 [25.4] 1-1/8 [28.58]	0.98	0.96	0.95	0.93	0.92	0.91	0.91	0.91	0.91	0.91	0.91	0.91	0.91	0.91	0.91		
			0.99	0.99	0.98	0.97	0.97	0.96	0.96	0.96	0.96	0.96	0.96	0.96	0.96	0.96	0.96	0.96	
			1.00	0.99	0.99	0.99	0.99	0.98	0.98	0.98	0.98	0.98	0.98	0.98	0.98	0.98	0.98	0.98	0.98
			1.00	1.00	1.00	0.99	0.99	0.99	0.99	0.99	0.99	0.99	0.99	0.99	0.99	0.99	0.99	0.99	0.99
RP1648A	7/8" [22.23]	5/8 [15.88] 3/4 [19.05] 7/8 [22.23] 1 [25.4] 1-1/8 [28.58]	N/R	N/R	N/R	N/R	N/R	N/R	N/R	N/R	N/R	N/R	N/R	N/R	N/R	N/R	N/R		
			0.98	0.96	0.94	N/R	N/R	N/R	N/R	N/R	N/R	N/R	N/R	N/R	N/R	N/R	N/R	N/R	
			1.00	0.99	0.98	N/R	N/R	N/R	N/R	N/R	N/R	N/R	N/R	N/R	N/R	N/R	N/R	N/R	N/R
			1.00	1.00	1.00	N/R	N/R	N/R	N/R	N/R	N/R	N/R	N/R	N/R	N/R	N/R	N/R	N/R	N/R
RP1660A	7/8" [22.23]	5/8 [15.88] 3/4 [19.05] 7/8 [22.23] 1 [25.4] 1-1/8 [28.58]	0.96	0.93	N/R	N/R	N/R	N/R	N/R	N/R	N/R	N/R	N/R	N/R	N/R	N/R	N/R		
			0.99	0.97	N/R	N/R	N/R	N/R	N/R	N/R	N/R	N/R	N/R	N/R	N/R	N/R	N/R	N/R	
			1.00	0.99	N/R	N/R	N/R	N/R	N/R	N/R	N/R	N/R	N/R	N/R	N/R	N/R	N/R	N/R	N/R
			1.00	1.00	N/R	N/R	N/R	N/R	N/R	N/R	N/R	N/R	N/R	N/R	N/R	N/R	N/R	N/R	N/R

NOTES:

N/R = Application not recommended.

Grey = This application is acceptable, but the long line guidelines must be followed. Reference Long Line Set section in the I&O

[] Designates Metric Conversions

Performance Data @ AHRI Standard Conditions – Heat Pump

High Sales Volume Tested Combination (HSVTC)

Outdoor Unit	Air Handler	Total Capacity BTU/H [kW]	Net Sensible BTU/H [kW]	Net Latent BTU/H [kW]	SEER	EER	Indoor CFM [L/s]	47 Degree Heating Capacity BTU/H [kW]	47 Degree COP	17 Degree Heating Capacity BTU/H [kW]	17 Degree COP	Region IV HSPF
RP1624AJ2	RH2V2421MTAN	24000 [7.0]	17600 [5.2]	6400 [1.9]	16.00	13.00	825 [389.4]	22600 [6.6]	3.94	14500 [4.2]	2.70	9.00
RP1636AJ2	RH2V3621MTAN	36000 [10.6]	26400 [7.7]	9600 [2.8]	16.00	13.00	1225 [578.1]	34200 [10.0]	3.70	21600 [6.3]	2.54	9.00
RP1648AJ2	RH2V4821MTAN	47000 [13.8]	36800 [10.8]	11200 [3.3]	16.00	12.50	1650 [778.7]	45000 [13.2]	3.74	29800 [8.7]	2.70	9.00
RP1660AJ2	RH2V6024STAN	57000 [16.7]	41700 [12.2]	16300 [4.8]	16.00	12.50	1725 [814.1]	55000 [16.1]	3.80	35600 [10.4]	2.74	9.00

R802V: Prestige 2-Stage 80% ECM Furnace Ratings

Outdoor Unit	Furnace	Indoor Coil	Total Capacity BTU/H [kW]	Net Sensible BTU/H [kW]	Net Latent BTU/H [kW]	SEER	EER	Indoor CFM [L/s]	47 Degree Heating Capacity BTU/H [kW]	47 Degree COP	17 Degree Heating Capacity BTU/H [kW]	17 Degree COP	Region IV HSPF
RP1624AJ2	R802VA075317M	RCF2417MTA	24000 [7.0]	14600 [4.3]	6400 [1.9]	16.00	13.00	850 [401.2]	22600 [6.6]	3.84	14700 [4.3]	2.66	9.00
		RCF2421MTA	24000 [7.0]	14600 [4.3]	6400 [1.9]	16.00	13.00	850 [401.2]	23000 [6.7]	3.84	14700 [4.3]	2.66	9.00
RP1624AJ2	R802VA075317Z	RCF2417MTA	24000 [7.0]	14700 [4.3]	6400 [1.9]	16.00	13.00	875 [413.0]	22600 [6.6]	3.80	14800 [4.3]	2.60	9.00
		RCF2421MTA	24000 [7.0]	14700 [4.3]	6400 [1.9]	16.00	13.00	875 [413.0]	23000 [6.7]	3.80	14800 [4.3]	2.60	9.00
RP1636AJ2	R802VA050317M	RCF3621MTA	36000 [10.6]	16500 [4.8]	9600 [2.8]	15.00	12.00	1175 [554.5]	34400 [10.1]	3.60	22000 [6.4]	2.50	9.00
RP1636AJ2	R802VA075317M	RCF3621MTA	36000 [10.6]	19000 [5.6]	9600 [2.8]	15.00	12.50	1150 [542.7]	34000 [10.0]	3.66	21600 [6.3]	2.50	9.00
RP1636AJ2	R802VA075317Z	RCF3621MTA	36000 [10.6]	19000 [5.6]	9600 [2.8]	15.00	12.50	1200 [566.3]	34400 [10.1]	3.60	22000 [6.4]	2.50	9.00
RP1636AJ2	R802VA075421M	RCF3621MTA	36000 [10.6]	19000 [5.6]	9600 [2.8]	16.00	13.00	1225 [578.1]	34200 [10.0]	3.70	21600 [6.3]	2.54	9.00
		RCF3624MTA	36000 [10.6]	19000 [5.6]	9600 [2.8]	16.00	13.00	1225 [578.1]	34200 [10.0]	3.70	21600 [6.3]	2.54	9.00
RP1636AJ2	R802VA075421Z	RCF3621MTA	36000 [10.6]	19400 [5.7]	9600 [2.8]	15.00	12.50	1250 [589.9]	34400 [10.1]	3.66	21800 [6.4]	2.50	9.00
		RCF3624MTA	36000 [10.6]	19400 [5.7]	9600 [2.8]	15.00	12.50	1250 [589.9]	34400 [10.1]	3.66	21800 [6.4]	2.50	9.00
RP1636AJ2	R802VA100521M	RCF3621MTA	36000 [10.6]	19000 [5.6]	9600 [2.8]	16.00	13.00	1250 [589.9]	34200 [10.0]	3.76	21600 [6.3]	2.54	9.00
		RCF3624MTA	36000 [10.6]	19000 [5.6]	9600 [2.8]	16.00	13.00	1250 [589.9]	34200 [10.0]	3.76	21600 [6.3]	2.54	9.00
RP1636AJ2	R802VA100521Z	RCF3624MTA	36000 [10.6]	20200 [5.9]	9600 [2.8]	15.00	12.50	1250 [589.9]	34400 [10.1]	3.66	21800 [6.4]	2.54	9.00
RP1648AJ2	R802VA125524M	RCF3624MTA	36000 [10.6]	19600 [5.7]	9600 [2.8]	16.00	13.00	1250 [589.9]	34200 [10.0]	3.76	21600 [6.3]	2.54	9.00
RP1648AJ2	R802VA075421M	RCF4821MTA	48000 [14.1]	27100 [7.9]	11200 [3.3]	15.00	12.50	1600 [755.1]	45000 [13.2]	3.80	29600 [8.7]	2.76	9.00
RP1648AJ2	R802VA075421Z	RCF4821MTA	48000 [14.1]	26900 [7.9]	11800 [3.5]	15.00	12.00	1600 [755.1]	45500 [13.3]	3.70	30000 [8.8]	2.66	9.00
RP1648AJ2	R802VA100521M	RCF4821MTA	48000 [14.1]	27300 [8.0]	11200 [3.3]	15.00	12.50	1575 [743.3]	44500 [13.0]	3.84	29200 [8.6]	2.76	9.00
RP1648AJ2	R802VA100521Z	RCF4821MTA	48000 [14.1]	26600 [7.8]	12100 [3.5]	15.00	12.50	1550 [731.5]	44500 [13.0]	3.76	29400 [8.6]	2.70	9.00
RP1660AJ2	R802VA075421M	RCF6024STA	57000 [16.7]	30900 [9.1]	16300 [4.8]	15.00	11.50	1725 [814.1]	56000 [16.4]	3.70	36200 [10.6]	2.70	9.00
RP1660AJ2	R802VA100521M	RCF6024STA	57000 [16.7]	30900 [9.1]	16300 [4.8]	15.00	12.00	1725 [814.1]	56000 [16.4]	3.80	36000 [10.6]	2.76	9.00
RP1660AJ2	R802VA100521Z	RCF6024STA	57000 [16.7]	30300 [8.9]	16300 [4.8]	15.00	11.50	1750 [825.9]	56000 [16.4]	3.70	36400 [10.7]	2.70	9.00
RP1660AJ2	R802VA125524M	RCF6024STA	57500 [16.9]	31100 [9.1]	15900 [4.7]	15.00	12.00	1775 [837.7]	56000 [16.4]	3.80	36000 [10.6]	2.76	9.00
RP1660AJ2	R802VA125524Z	RCF6024STA	57000 [16.7]	30900 [9.1]	16300 [4.8]	15.00	11.50	1725 [814.1]	56000 [16.4]	3.70	36200 [10.6]	2.70	9.00

[] Designates Metric Conversions

Performance Data @ AHRI Standard Conditions – Heat Pump (con't.)

R96V: 96% AFUE 2-stage Variable Speed Multiphoise Gas Furnace Ratings													
Outdoor Unit	Furnace	Indoor Coil	Total Capacity BTU/H [kW]	Net Sensible BTU/H [kW]	Net Latent BTU/H [kW]	SEER	EER	Indoor CFM [L/s]	47 Degree Heating Capacity BTU/H [kW]	47 Degree COP	17 Degree Heating Capacity BTU/H [kW]	17 Degree COP	Region IV HSPF
RP1624A-J2	R96VA0402317M	RCF2417MTA	24000 [7.0]	14700 [4.3]	6400 [1.9]	16.00	13.00	875 [413.0]	23000 [6.7]	3.80	14800 [4.3]	2.60	9.00
		RCF2421MTA	24000 [7.0]	14700 [4.3]	6400 [1.9]	16.00	13.00	875 [413.0]	23000 [6.7]	3.80	14800 [4.3]	2.60	9.00
RP1624A-J2	R96VA0602317M	RCF2417MTA	24000 [7.0]	14300 [4.2]	6400 [1.9]	16.00	13.00	775 [365.8]	23000 [6.7]	3.76	14500 [4.2]	2.54	9.00
		RCF2421MTA	24000 [7.0]	14300 [4.2]	6400 [1.9]	16.00	13.00	775 [365.8]	22600 [6.6]	3.76	14500 [4.2]	2.54	9.00
RP1624A-J2	R96VA0702317M	RCF2417MTA	24000 [7.0]	14700 [4.3]	6400 [1.9]	16.00	13.00	875 [413.0]	23000 [6.7]	3.80	14800 [4.3]	2.60	9.00
		RCF2421MTA	24000 [7.0]	14700 [4.3]	6400 [1.9]	16.00	13.00	875 [413.0]	23000 [6.7]	3.80	14800 [4.3]	2.60	9.00
RP1636A-J2	R96VA0402317M	RCF3621MTA	36000 [10.6]	18700 [5.5]	9600 [2.8]	15.00	12.50	1125 [530.9]	34000 [10.0]	3.60	21600 [6.3]	2.46	9.00
		RCF3621MTA	36000 [10.6]	16500 [4.8]	9600 [2.8]	15.00	12.00	1200 [566.3]	34600 [10.1]	3.60	22000 [6.4]	2.50	8.50
RP1636A-J2	R96VA0702317M	RCF3621MTA	36000 [10.6]	19000 [5.6]	9600 [2.8]	15.00	12.50	1150 [542.7]	34200 [10.0]	3.60	21600 [6.3]	2.50	9.00
		RCF3621MTA	36000 [10.6]	19400 [5.7]	9600 [2.8]	15.00	12.50	1225 [578.1]	34400 [10.1]	3.66	21800 [6.4]	2.50	9.00
RP1636A-J2	R96VA0852521M	RCF3624MTA	36000 [10.6]	19400 [5.7]	9600 [2.8]	15.00	12.50	1225 [578.1]	34400 [10.1]	3.66	21800 [6.4]	2.50	9.00
		RCF3621MTA	36000 [10.6]	19400 [5.7]	9600 [2.8]	15.00	12.50	1225 [578.1]	34400 [10.1]	3.66	21800 [6.4]	2.54	9.00
RP1636A-J2	R96VA1002521M	RCF3624MTA	36000 [10.6]	19400 [5.7]	9600 [2.8]	15.00	12.50	1225 [578.1]	34400 [10.1]	3.66	21800 [6.4]	2.54	9.00
		RCF3621MTA	36000 [10.6]	19400 [5.7]	9600 [2.8]	15.00	12.50	1225 [578.1]	34400 [10.1]	3.66	21800 [6.4]	2.54	9.00
RP1648A-J2	R96VA1152524M	RCF3624MTA	36000 [10.6]	19000 [5.6]	9600 [2.8]	16.00	13.00	1225 [578.1]	34200 [10.0]	3.70	21600 [6.3]	2.54	9.00
		RCF4821MTA	48000 [14.1]	21000 [6.2]	11200 [3.3]	15.00	11.50	1575 [743.3]	45500 [13.3]	3.66	30200 [8.9]	2.66	8.50
RP1660A-J2	R96VA1002521M	RCF4821MTA	47500 [13.9]	25600 [7.5]	13100 [3.8]	15.00	12.00	1550 [731.5]	43500 [12.7]	3.66	28600 [8.4]	2.60	9.00
		RCF6024STA	56500 [16.6]	29300 [8.6]	17100 [5.0]	15.00	11.50	1625 [766.9]	55500 [16.3]	3.70	35800 [10.5]	2.66	9.00
RP1660A-J2	R96VA1152524M	RCF6024STA	57000 [16.7]	30300 [8.9]	16300 [4.8]	15.00	12.00	1725 [814.1]	56000 [16.4]	3.76	36200 [10.6]	2.70	9.00

[] Designates Metric Conversions



Air

Performance Data
RP16 Series

Performance Data @ AHRI Standard Conditions – Heat Pump (con't.)

R97V: 97% AFUE 2-stage Variable Speed Multiphase Gas Furnace Ratings													
Outdoor Unit	Furnace	Indoor Coil	Total Capacity BTU/H [kW]	Net Sensible BTU/H [kW]	Net Latent BTU/H [kW]	SEER	EER	Indoor CFM [L/s]	47 Degree Heating Capacity BTU/H [kW]	47 Degree COP	17 Degree Heating Capacity BTU/H [kW]	17 Degree COP	Region IV HSPF
RP1624A2	R97VA060M317K	RCF2421MTA	24000 [7.0]	14300 [4.2]	6400 [1.9]	16.00	13.00	775 [365.8]	22600 [6.6]	3.76	14500 [4.2]	2.54	9.00
RP1624A2	R97VA060M317U	RCF2417MTA	24000 [7.0]	14300 [4.2]	6400 [1.9]	16.00	13.00	775 [365.8]	22600 [6.6]	3.76	14500 [4.2]	2.54	9.00
RP1624A2	R97VA070M317K	RCF2417MTA	24000 [7.0]	14300 [4.2]	6400 [1.9]	16.00	13.00	775 [365.8]	23000 [6.7]	3.76	14500 [4.2]	2.54	9.00
RP1624A2	R97VA070M317U	RCF2417MTA	24000 [7.0]	14700 [4.3]	6400 [1.9]	16.00	13.00	875 [413.0]	23000 [6.7]	3.80	14800 [4.3]	2.60	9.00
RP1636A2	R97VA060M317U	RCF3621MTA	24000 [7.0]	14700 [4.3]	6400 [1.9]	16.00	13.00	875 [413.0]	23000 [6.7]	3.80	14800 [4.3]	2.60	9.00
RP1636A2	R97VA070M317U	RCF3621MTA	24000 [7.0]	14700 [4.3]	6400 [1.9]	16.00	13.00	875 [413.0]	23000 [6.7]	3.80	14800 [4.3]	2.60	9.00
RP1636A2	R97VA085M521K	RCF3624MTA	36000 [10.6]	18100 [5.3]	9600 [2.8]	15.00	12.50	1050 [495.5]	33400 [9.8]	3.50	21200 [6.2]	2.40	8.50
RP1636A2	R97VA085M521U	RCF3621MTA	36000 [10.6]	19000 [5.6]	9600 [2.8]	15.00	12.50	1150 [542.7]	34200 [10.0]	3.60	21600 [6.3]	2.50	9.00
RP1636A2	R97VA100M521K	RCF3624MTA	36000 [10.6]	19400 [5.7]	9600 [2.8]	15.00	12.50	1225 [578.1]	34400 [10.1]	3.66	21800 [6.4]	2.50	9.00
RP1636A2	R97VA100M521U	RCF3621MTA	36000 [10.6]	19400 [5.7]	9600 [2.8]	15.00	12.50	1225 [578.1]	34400 [10.1]	3.66	21800 [6.4]	2.50	9.00
RP1636A2	R97VA115M524K	RCF3624MTA	36000 [10.6]	19400 [5.7]	9600 [2.8]	15.00	12.50	1225 [578.1]	34400 [10.1]	3.66	21800 [6.4]	2.54	9.00
RP1636A2	R97VA115M524U	RCF3621MTA	36000 [10.6]	19400 [5.7]	9600 [2.8]	15.00	12.50	1225 [578.1]	34400 [10.1]	3.66	21800 [6.4]	2.54	9.00
RP1648A2	R97VA100M521K	RCF4821MTA	36000 [10.6]	19400 [5.7]	9600 [2.8]	15.00	12.50	1225 [578.1]	34400 [10.1]	3.66	21800 [6.4]	2.54	9.00
RP1648A2	R97VA100M521U	RCF4821MTA	36000 [10.6]	19000 [5.6]	9600 [2.8]	16.00	13.00	1225 [578.1]	34200 [10.0]	3.70	21600 [6.3]	2.54	9.00
RP1660A2	R97VA115M524K	RCF6024STA	48000 [14.1]	26400 [7.7]	12000 [3.5]	15.00	12.00	1575 [743.3]	45000 [13.2]	3.76	29800 [8.7]	2.66	9.00
RP1660A2	R97VA115M524U	RCF4821MTA	47500 [13.9]	25600 [7.5]	13100 [3.8]	15.00	12.00	1550 [731.5]	43500 [12.7]	3.66	28600 [8.4]	2.60	9.00
RP1660A2	R97VA100M521K	RCF4821MTA	47500 [13.9]	25600 [7.5]	13100 [3.8]	15.00	12.00	1550 [731.5]	43500 [12.7]	3.66	28600 [8.4]	2.60	9.00
RP1660A2	R97VA100M521U	RCF6024STA	56500 [16.6]	26100 [7.6]	16300 [4.8]	15.00	11.50	1625 [766.9]	56500 [16.6]	3.66	36800 [10.8]	2.66	9.00
RP1660A2	R97VA115M524K	RCF6024STA	57000 [16.7]	30300 [8.9]	16300 [4.8]	15.00	11.50	1625 [766.9]	56500 [16.6]	3.66	36800 [10.8]	2.66	9.00
RP1660A2	R97VA115M524U	RCF6024STA	57000 [16.7]	30300 [8.9]	16300 [4.8]	15.00	12.00	1725 [814.1]	56000 [16.4]	3.76	36200 [10.6]	2.70	9.00
RP1660A2	R97VA115M524U	RCF6024STA	57000 [16.7]	30300 [8.9]	16300 [4.8]	15.00	12.00	1725 [814.1]	56000 [16.4]	3.76	36200 [10.6]	2.70	9.00

[] Designates Metric Conversions



INTEGRATED HOME COMFORT



Air

Performance Data
RP16 Series

Performance Data @ AHRI Standard Conditions – Heat Pump (con't.)

R98VA Furnace Ratings													
Outdoor Unit	Furnace	Indoor Coil	Total Capacity BTU/H [kW]	Net Sensible BTU/H [kW]	Net Latent BTU/H [kW]	SEER	EER	Indoor CFM [L/s]	47 Degree Heating Capacity BTU/H [kW]	47 Degree COP	17 Degree Heating Capacity BTU/H [kW]	17 Degree COP	Region IV HSPF
RP1624AJ2	R98VA060M317U	RCF2417MTA	24000 [7.0]	14300 [4.2]	6400 [1.9]	16.00	13.00	775 [365.8]	22600 [6.6]	3.76	14500 [4.2]	2.54	9.00
RP1624AJ2	R98VA070M317U	RCF2417MTA	24000 [7.0]	14700 [4.3]	6400 [1.9]	16.00	13.00	875 [413.0]	23000 [6.7]	3.80	14800 [4.3]	2.60	9.00
		RCF2421MTA	24000 [7.0]	14700 [4.3]	6400 [1.9]	16.00	13.00	875 [413.0]	23000 [6.7]	3.80	14800 [4.3]	2.60	9.00
RP1636AJ2	R98VA070M317U	RCF3621MTA	36000 [10.6]	19000 [5.6]	9600 [2.8]	15.00	12.50	1150 [542.7]	34200 [10.0]	3.60	21600 [6.3]	2.50	9.00
RP1636AJ2	R98VA085M521U	RCF3621MTA	36000 [10.6]	19400 [5.7]	9600 [2.8]	15.00	12.50	1225 [578.1]	34400 [10.1]	3.66	21800 [6.4]	2.50	9.00
		RCF3624MTA	36000 [10.6]	19400 [5.7]	9600 [2.8]	15.00	12.50	1225 [578.1]	34400 [10.1]	3.66	21800 [6.4]	2.50	9.00
RP1636AJ2	R98VA100M521U	RCF3621MTA	36000 [10.6]	19400 [5.7]	9600 [2.8]	15.00	12.50	1225 [578.1]	34400 [10.1]	3.66	21800 [6.4]	2.54	9.00
RP1636AJ2	R98VA115M524U	RCF3624MTA	36000 [10.6]	19000 [5.6]	9600 [2.8]	16.00	13.00	1225 [578.1]	34200 [10.0]	3.70	21600 [6.3]	2.54	9.00
RP1648AJ2	R98VA085M521U	RCF4821MTA	48000 [14.1]	26400 [7.7]	12000 [3.5]	15.00	12.00	1575 [743.3]	45000 [13.2]	3.76	29800 [8.7]	2.66	9.00
RP1648AJ2	R98VA100M521U	RCF4821MTA	47500 [13.9]	25600 [7.5]	13100 [3.8]	15.00	12.00	1575 [743.3]	43500 [12.7]	3.66	28600 [8.4]	2.60	9.00
RP1660AJ2	R98VA100M521U	RCF6024STA	56500 [16.6]	26100 [7.6]	16300 [4.8]	15.00	11.50	1750 [825.9]	56500 [16.6]	3.66	36800 [10.8]	2.66	9.00
RP1660AJ2	R98VA115M524U	RCF6024STA	57000 [16.7]	30300 [8.9]	16300 [4.8]	15.00	12.00	1725 [814.1]	56000 [16.4]	3.76	36200 [10.6]	2.70	9.00

[] Designates Metric Conversions



GUIDE SPECIFICATIONS

General

System Description

Outdoor-mounted, air-cooled, split-system heat pump unit suitable for ground or rooftop installation. Unit consists of a hermetic compressor, composite basepan, an air-cooled coil, propeller-type condenser fan, suction and liquid line service valve, and a control box. Unit will discharge supply air upward as shown on contract drawings. Unit will be used in a refrigeration circuit to match up to a coil unit.

Quality Assurance

- Unit will be rated in accordance with the latest edition of AHRI Standard 210.
- Unit will be certified for capacity and efficiency, and listed in the latest AHRI directory.
- Unit construction will comply with latest edition of ANSI/ASHRAE and with NEC.
- Unit will be constructed in accordance with UL standards and will carry the UL label of approval. Unit will have c-UL-us approval.
- Unit cabinet will be capable of withstanding ASTM B117 1000-hr salt spray test.
- Air-cooled condenser coils will be leak tested at 150 psig and pressure tested at 550 psig.
- Unit constructed in ISO9001 approved facility.

Delivery, Storage, and Handling

- Unit will be shipped as single package only and is stored and handled per unit manufacturer's recommendations.

Warranty (for inclusion by specifying engineer) – U.S. and Canada only.

Products

Equipment

Factory assembled, single piece, air-cooled heat pump unit. Contained within the unit enclosure is all factory wiring, piping, controls, compressor, refrigerant charge R-410A, and special features required prior to field start-up.

Unit Cabinet

- Unit cabinet will be constructed of galvanized steel, bonderized, and coated with a powder coat paint.
- All units constructed with louver coil protection and corner post. Louver can be removed by removing one fastener per louver panel.

AIR-COOLED, SPLIT-SYSTEM HEAT PUMP RP16

2 TO 5 NOMINAL TONS

Fans

- Condenser fan will be direct-drive propeller type, discharging air upward.
- Condenser fan motors will be totally enclosed, 1-phase type with class B insulation and permanently lubricated bearings. Shafts will be corrosion resistant.
- Fan blades will be statically and dynamically balanced.
- Condenser fan openings will be equipped with coated steel wire safety guards.

Compressor

- Compressor will be hermetically sealed.
- Compressor will be mounted on rubber vibration isolators.

Condenser Coil

- Condenser coil will be air cooled.
- Coil will be constructed of aluminum fins mechanically bonded to copper tubes.

Refrigeration Components

- Refrigeration circuit components will include liquid-line shutoff valve with sweat connections, vapor-line shutoff valve with sweat connections, system charge of R-410A refrigerant, and compressor oil.
- Unit will be equipped with filter drier for R-410A refrigerant for field installation.

Operating Characteristics

- The capacity of the unit will meet or exceed _____ Btuh at a suction temperature of _____ °F/°C. The power consumption at full load will not exceed _____ kW.
- Combination of the unit and the evaporator or fan coil unit will have a total net cooling capacity of _____ Btuh or greater at conditions of _____ CFM entering air temperature at the evaporator at _____ °F/°C wet bulb and _____ °F/°C dry bulb, and air entering the unit at _____ °F/°C.
- The system will have a SEER of _____ Btuh/watt or greater at DOE conditions.

Electrical Requirements

- Nominal unit electrical characteristics will be _____ v, single phase, 60 hz. The unit will be capable of satisfactory operation within voltage limits of _____ v to _____ v.
- Nominal unit electrical characteristics will be _____ v, three phase, 60 hz. The unit will be capable of satisfactory operation within voltage limits of _____ v to _____ v.
- Unit electrical power will be single point connection.
- Control circuit will be 24v.

Special Features

- Refer to section of this literature identifying accessories and descriptions for specific features and available enhancements.

GENERAL TERMS OF LIMITED WARRANTY*

Rheem will furnish a replacement for any part of this product which fails in normal use and service within the applicable period stated, in accordance with the terms of the limited warranty.

***For complete details of the Limited and Conditional Warranties, including applicable terms and conditions, contact your local contractor or the Manufacturer for a copy of the product warranty certificate.**

Conditional Parts
(Registration Required)Ten (10) Years



The new degree of comfort.™

In keeping with its policy of continuous progress and product improvement, Rheem reserves the right to make changes without notice.

Rheem Heating, Cooling & Water Heating • P.O. Box 17010
Fort Smith, Arkansas 72917 • www.rheem.com

Rheem Canada Ltd./Ltée • 125 Edgeware Road, Unit 1
Brampton, Ontario • L6Y 0P5



INTEGRATED HOME COMFORT

PRINTED IN U.S.A. 1/18 QG FORM NO. P11-813 REV. 2