

# **[ - ] KKA**

# **[ - ] KMA**

**PARTS LIST**

**Gas Heat / Electric Cool Package Unit**

**SIZES: 036-085**

**SERIES: A**

**Publication Date: October, 2002**

**Form No: 92-21389-85-02**



**CATALOG TAB - Commercial Rooftop**

## TABLE OF CONTENTS

Notes	Page 2
Model Number Explanation	Page 3
Serial Number Explanation	Page 3
Exploded View and Other Drawings	Page 4 - 7
Panels & Sheet Metal Parts	Page 8
Fan Group	Page 9
Evaporator/Condenser Coil, Refrigeration, Filter & Filter Drier	Page 10
Electric Group	Page 11
Blower Assembly-Direct Drive	Page 11
Blower Assembly-Belt Drive	Page 12
Blower Motor, Belt and Sheave	Page 13 - 14
Right Blower Support and Motor Mounting	Page 15-17
Compressor Group	Page 16-18
Gas Control - 1X, 1R, 2A	Page 19
Main Limit, Heat Exch, Collector Box, Burner Group	Page 20
Accessories & Economizers	Page 21-24

## ORDERING, STOCKING AND NOTE EXPLANATIONS

### Ordering Instructions:

When ordering a replacement part, be sure to read all notes and symbol notations on the parts list. In some cases, it is necessary to determine the unit style number and/or serial number in addition to the model number before selecting a replacement part. When ordering painted cabinet parts, the order **must specify** unit model number, serial number, and paint color. Also, your order can be processed more rapidly if you show the part number and description. Once the product is out of current production, ordering such parts must be cleared with the Parts Department as price and availability will vary.

### Replacement Parts Stocking Information:

See the current "List Price Book For Air Conditioning Parts" for individual stock code information. As a general rule, most parts are in stock or have a short order period as long as the product is in current production. Once the product is out of current production, ordering such parts must be cleared with the Parts Department as price and availability will vary.

### Note Explanation:

<i>np</i>	This part is not shown in exploded view. [no picture]
<i>cr</i>	This original part number has been <b>cross-referenced</b> to an equal, or better than replacement, part number.
<i>dna</i>	<b>Does not apply</b>
<i>fi</i>	<b>Finished Good Accy</b> and must order thru the National Order Center
<i>nw</i>	This part was <b>new</b> to the List Price Book when the product was introduced
<i>stk</i>	This part should be <b>stocked</b> .
<i>()</i>	Order quantity
<i>lp</i>	These parts are to be used only as repair parts for units which have been converted to LP (Propane) gas by the appropriate conversions kit.

## MODEL NUMBER EXPLANATION

[-]	K	K	A	-	A	036	J	K	08	E	8AA
1	2	3	4	5	6	7	8	9	10	11	12

### Position

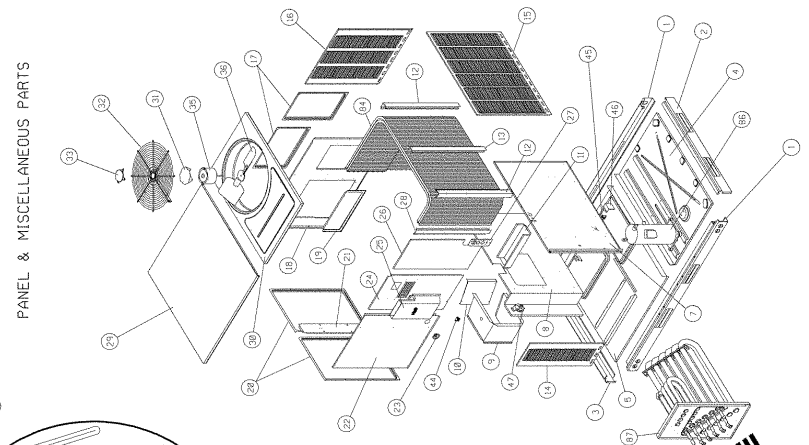
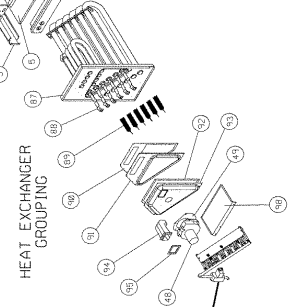
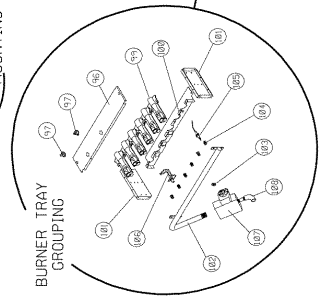
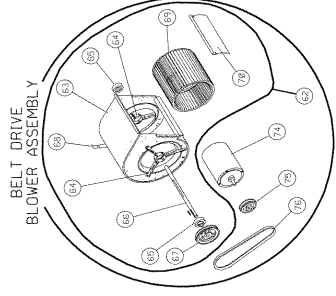
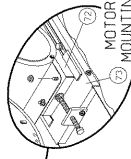
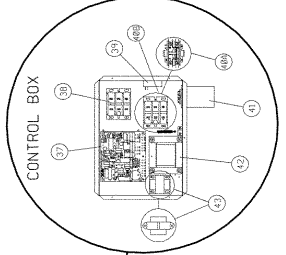
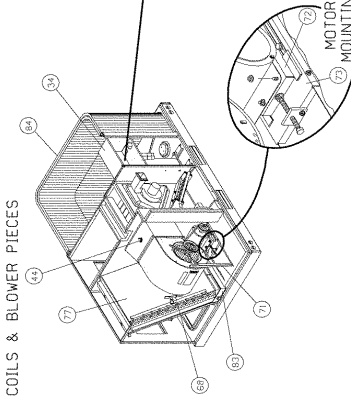
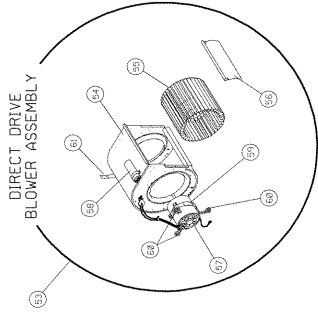
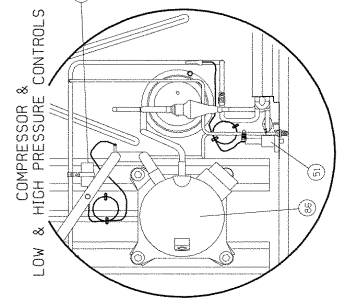
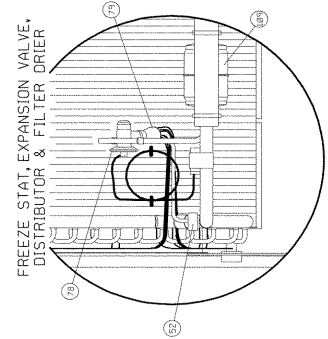
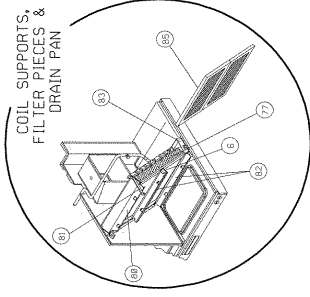
<b>1</b>	<b>Trade Name</b>		<b>9</b>	<b>Drive Package</b>
<b>2</b>	<b>K = Rooftop - Commercial</b>			K = Direct Drive
<b>3</b>	<b>Efficiency Designation</b>			L = Belt Drive
	K = Standard Efficiency			M = Belt Drive - High Static
	M = High Efficiency		<b>10</b>	<b>Heat Capacity (MBH)</b>
<b>4</b>	<b>Design Series</b>			08 = 80,000
	A = 1st Design			10 = 100,000
<b>5</b>	<b>Dash</b>			12 = 120,000
<b>6</b>	<b>Technical Variations</b>			13 = 135,000
<b>7</b>	<b>Cooling Capacity (BTUH)</b>		<b>10</b>	<b>Ignition System</b>
	036 = 36,000			E = Electric Ignition, 1 Stage Gas Valve
	042 = 42,000			X = Electric Ignition, 1 Stage Gas Valve, NOx
	048 = 48,000			T = Electric Ignition, Two-Stage Gas Valve
	060 = 60,000			(085 only)
	072 = 72,000		<b>11</b>	<b>Options</b>
	073 = 72,000			
	085 = 85,000			
<b>8</b>	<b>Electric Designation</b>			
	J = 208-230/1/60			
	C = 208-230/3/60			
	D = 460/3/50			
	N = 38C = No Heat			
	P = 200-220/3/50			
	Y = 575/3/60			

## SERIAL NUMBER EXPLANATION

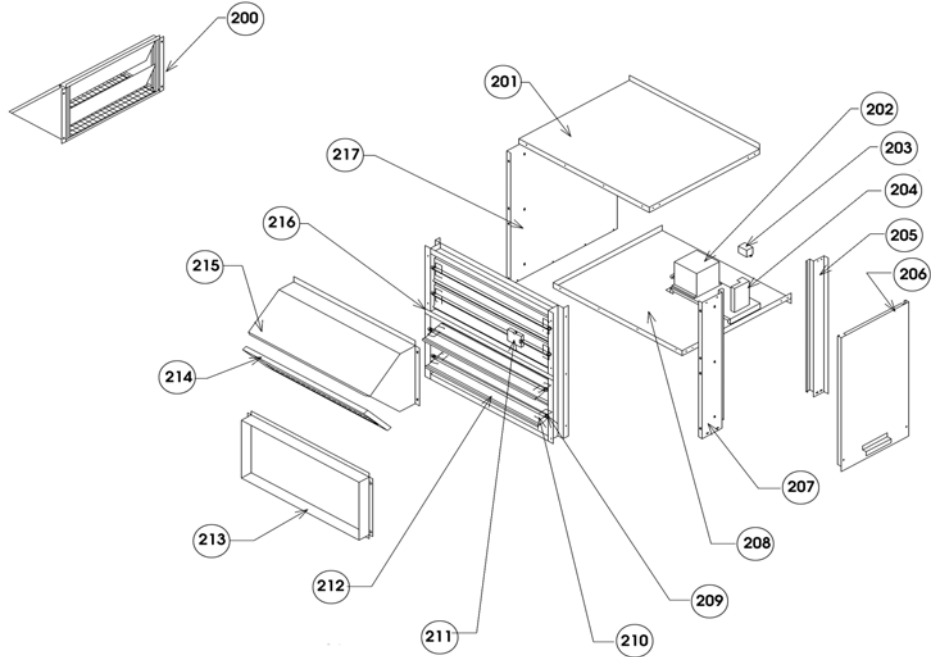
1X	A	1234	A	A	A	A	F2699	00001
1	2	3	4	5	6	7	8	9

### Position

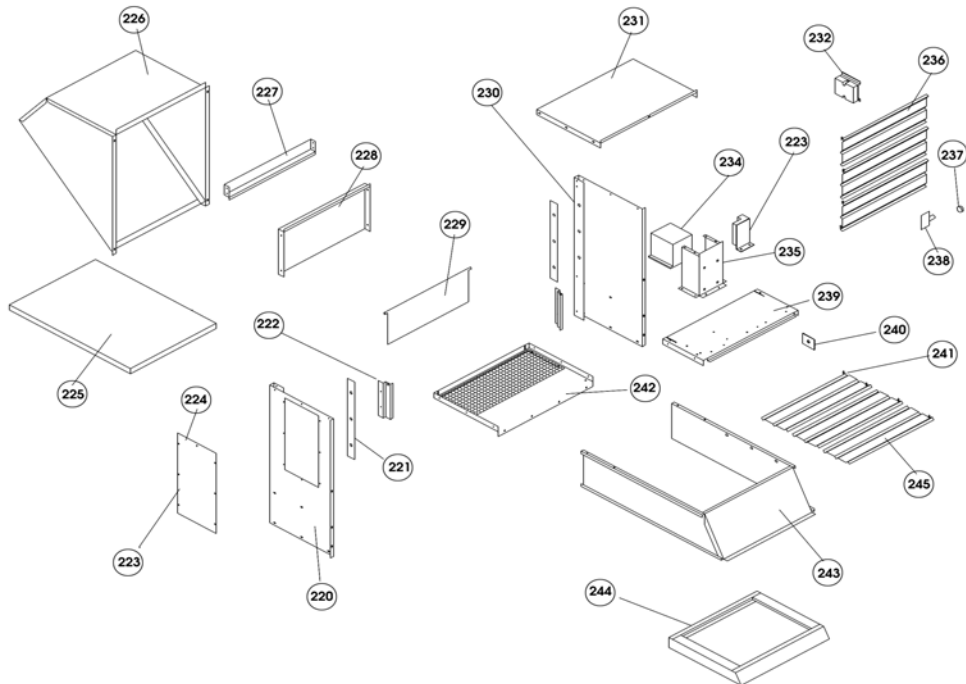
<b>1</b>	<b>GAS VALVE &amp; IGNITION CONTROL COMBINATION:</b>
	[1R] Honeywell VR8205 with UTEC 1068-300 or 1068-301
	[1X] White Rodgers 36E37 with UTEC 1068-300 or 1068-301
	[2A] White Rodgers 36E23 Slow Open with UTEC 1068-300 or 1068-301
<b>2</b>	<b>BLOWER CONTROL BOARD:</b>
	[D] ROBERTSHAW (100-833-01)
<b>3</b>	<b>COMPRESSOR IDENTIFICATION NUMBER:</b>
<b>4</b>	<b>IGNITION DEVICE</b>
<b>5</b>	<b>INDUCER BLOWER:</b>
	[A] AMETEK PLASTIC HOUSING
	[B] EMERSON PLASTIC HOUSING
	[C] EMERSON METAL HOUSING
	[D] FASCO METAL HOUSING
<b>6</b>	<b>HEAT EXCHANGER</b>
	[A] T140 ALUMINIZED STEEL TUBULAR 1.750 O.D.
<b>7</b>	<b>TECHNOLOGY VARIATIONS:</b>
	[A] INITIAL DESIGN
<b>8</b>	<b>PRODUCTION LOCATION &amp; DATE CODE:</b>
	[F] FORT SMITH, AR
	Date Code = Week and Year
<b>9</b>	<b>PRODUCTION NUMBER</b>
	STARTS WITH 00001 & RUNS THROUGH 99999 & THEN STARTS WITH 00001 AGAIN.



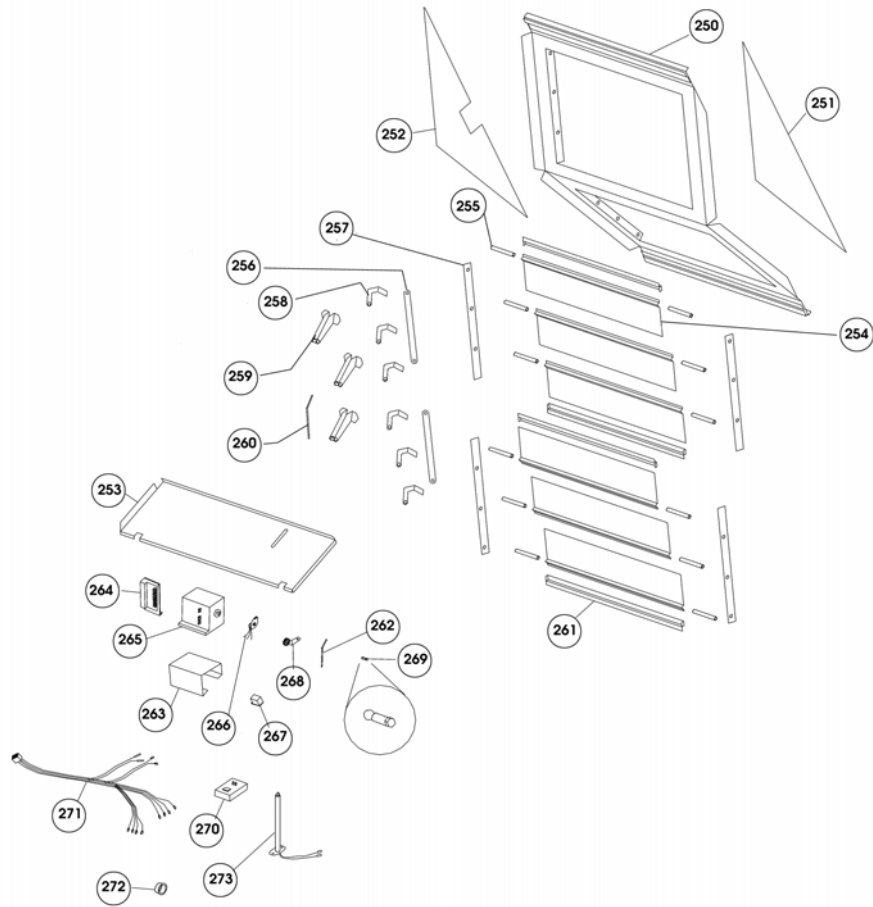
## ECONOMIZERS RXRE-CCA30 and RXRD-CCM10



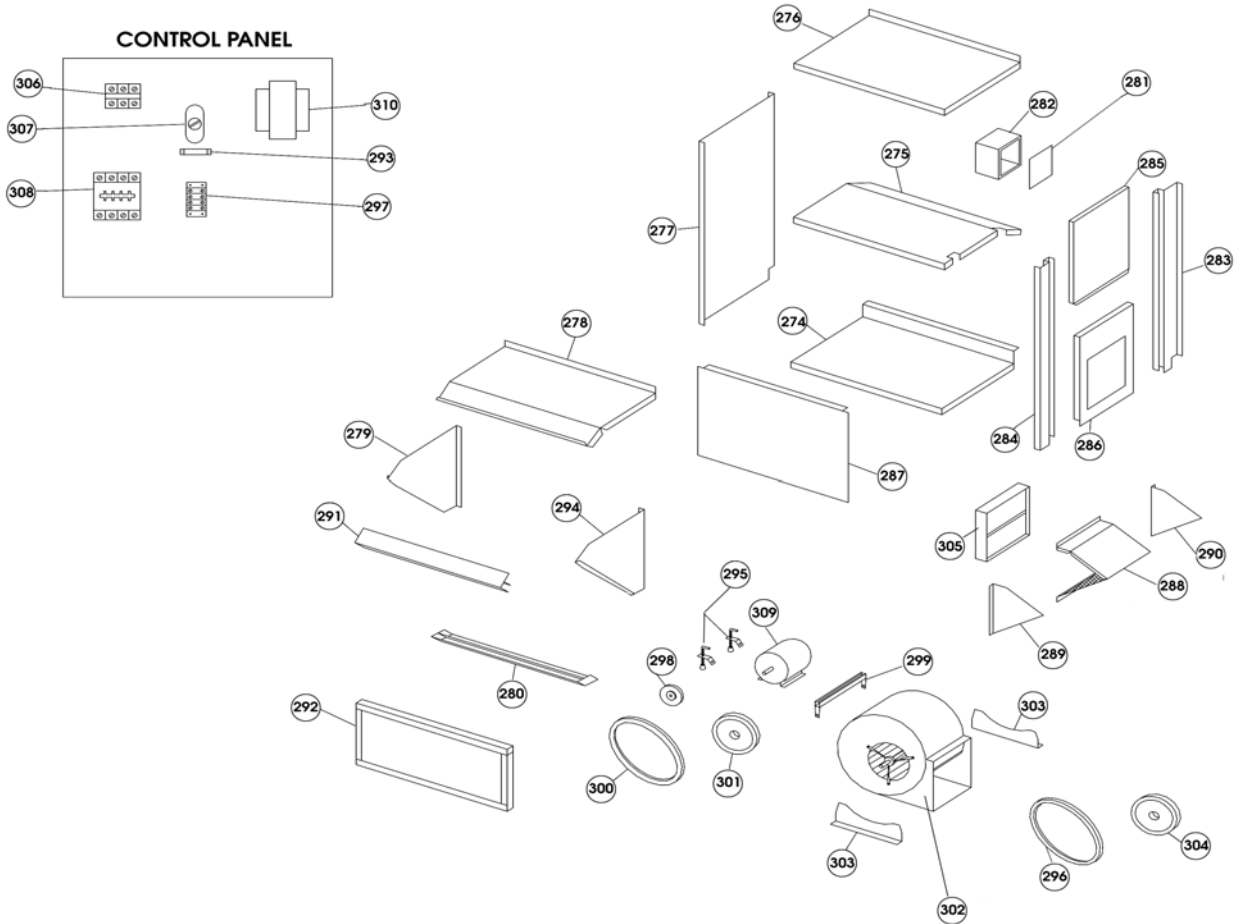
## ECONOMIZERS RXRE-CBA20 and RXRD-CBM10



**Modulating Economizer**  
**RXRD-DB\*M2**



**Power Exhaust**  
**RXRD-DB\*M2**



No.	MODEL	Note	[-]KKA- [-]KMA- A 036 - 073	[-]KKA- A 085					
<b>PANELS AND MISCELLANEOUS PARTS</b>									
1	Base Rail - Side (2)		AE-58900-01	AE-58900-02					
2	Base Rail - Condenser End		AE-58901-01	AE-58901-01					
3	Base Rail - Evaporator End		AE-58902-01	AE-58902-01					
4	OUTDOOR COIL BASE PAN		AS-59051-01	AS-59051-01					
5	INDOOR COIL BASE PAN		AS-58910-05	AS-58910-06					
6	CONDENSER BULKHEAD		AS-59126-02	AS-59126-03					
98	BURNER COMPARTMENT FLOOR		AE-58932-02	AE-58932-02					
7	CONDENSER BULKHEAD - Does Not include Limit Baffle or Tube Support Angles.		AS-59126-01	AS-59126-03					
np	LIMIT BAFFLE - Attached to Condenser Bulkhead		See Page 13	See Page 13					
np	TUBE SUPPORT ANGLE - Attached to the Cond. Bulkhead		AE-59139-01	AE-59139-01					
8	BLOWER BULKHEAD - Does Not Include Tube Support Angle, Blower Extension or Insulation Retainer listed below		AS-59130-01	AS-59130-01					
np	TUBE SUPPORT ANGLE - (Small Piece Attached to the Blower Bulkhead, Not Pictured)		AE-59139-02	AE-59139-02					
9	BLOWER EXTENSION - Front		AE-58928-01	AE-58928-01					
10	BLOWER EXTENSION - Back		AE-58928-02	AE-58928-02					
np	COVER PLATE - (On the Blower Extension Front to Cover the Limit Control Opening, Not Pictured)		AE-76216-01	AE-76216-01					
np	INSULATION RETAINER		AE-59059-01	AE-59059-01					
11	WIRE CHASE		AS-58927-01	AS-58927-01					
12	CORNER POST (2)		AE-58965-01	AE-58965-01					
13	CENTER POST		AE-58966-01	AE-58966-01					
14	LOUVERED PANEL (SMALL)		See Accessory Group						
15	LOUVERED PANEL (LONG)		See Accessory Group						
16	LOUVERED PANEL - Not Used on Sizes 036 or 042 (Square)		See Accessory Group						
17	SUPPLY/RETURN PANELS (2)		AS-58992-01	AS-58992-01					
18	REAR PANEL Includes Insulation and Filler Panel and Stripping		AS-58976-01	AS-58976-02					
19	Filler Panel		AE-58974-01	AE-58975-02					
np	Filler Panel Stripping		AE-58897-10	AE-58897-17					
20	BLOWER/FILTER ACCESS PANELS (2 if both are needed)		AS-58990-01	AS-58990-01					
21	Post - Left End		AS-58973-01	AS-58973-01					
22	FRONT PANEL		AS-59132-01	AS-59132-05					
23	GROMMET		56-22114-06	56-22114-06					
24	HEATING COMPARTMENT ACCESS PANEL		AS-58988-02	AS-58988-02					
25	FLUE HOOD		AS-58882-01	AS-58882-01					
np	FLUE HOOD GASKET		68-23680-03	68-23680-03					
np	MOUNTING PANEL EXT. DISCONNECT (GAS ROOFTOP ONLY)		AE-59133-01	AE-59133-01					
26	COMPRESSOR ACCESS PANEL		AE-58983-02	AE-58983-03					
27	POWER ENTRY PANEL		AE-58968-03	AE-58968-04					
28	FRONT POST		AE-58967-01	AE-58967-01					
29	INDOOR COIL TOP PANEL		AS-58979-01	AS-58979-02					
30	CONDENSER TOP PANEL		AS-58982-01	AS-58982-01					
31	MOTOR MOUNTING PLATE		AE-58109-02	AE-58109-02					
32	WIRE GRILLE		95-22758-05	95-22758-05					
33	WIRE GRILLE CAP		AE-58110-02	AE-58110-02					
34	CONTROL BOX - Less Components		AS-59039-01	AS-59039-01					

No.	MODEL	Note	[-]KKA- [-]KMA	[-]KKA-	[-]KMA-	[-]KKA- [-]KMA-	[-]KKA-	[-]KMA-	[-]KKA- [-]KMA-
	<b>TECHNICAL VARIATION COOLING CAPACITY ELECTRICAL DESIGNAT</b>		<b>A 036-048 J</b>	<b>A 060 J</b>	<b>A 060 J</b>	<b>A 036-048 C/P</b>	<b>A 060 C/P</b>	<b>A 060 C</b>	<b>A 072/ 073 C/P</b>
<b>FAN GROUP</b>									
35	MOTOR:								
	1/3 HP, 208-230 Volt, 1 Speed	cr	51-23053-11	51-23053-11		51-23053-11	51-23053-11		
	1/2 HP, 208-230 Volt, 1 Speed	cr			51-42179-01			51-42179-01	51-42179-01
41	RUN CAPACITOR - Oval :		SEE COMPRESSOR GROUP FOR <b>DUAL</b> CAPACITOR PART NUMBER						
	5/370 MFD/Volts	cr				43-25134-02	43-25134-02		
	10/370 MFD/Volts	cr						43-25134-04	43-25134-04
NP	CAPACITOR ADAPTER PLATE		DNA	DNA	DNA	AE-54609-02	AE-54609-02	AE-54609-02	AE-54609-02
36	FAN BLADE:								
	24", 19 Pitch, CCW, 1/2" Bore	cr	70-23137-01	70-23137-01		70-23137-01	70-23137-01		
	24", 22 Pitch, CCW, 1/2" Bore	cr			70-19897-01			70-19897-01	70-19897-01

No.	MODEL	Note	[-]KKA-	[-]KKA- [-]KMA	[-]KKA-	[-]KMA-	[-]KKA- [-]KMA-	[-]KKA-	[-]KKA-
	<b>TECHNICAL VARIATION COOLING CAPACITY ELECTRICAL DESIGNAT</b>		<b>A 085 C/P</b>	<b>A 036-048 D/N</b>	<b>A 060 D/N</b>	<b>A 060 D</b>	<b>A 072/ 073 D/N</b>	<b>A 085 D</b>	<b>A 085 N</b>
<b>FAN GROUP</b>									
35	MOTOR:								
	1/2 HP, 208-230 Volt, 1 Speed	cr	51-42179-01						
	1/3 HP, 460 Volt, 1 Speed	cr		51-23063-11	51-23063-11	51-21853-15	51-21853-15	51-21853-15	51-21853-15
	Option 08?A-Export Market 1/4 HP,380-415 Volt,1 Speed			51-21853-13			51-21853-13		
41	RUN CAPACITOR - Oval :								
	5/370 MFD/Volt	cr		43-25134-02	43-25134-02				
	10/370 MFD/Volt	cr	43-25134-04			43-25134-04	43-25134-04	43-25134-04	
	Option 08?A-Export Market 5/370 MFD/Volt			43-26133-04			43-26133-04		
np	CAPACITOR ADAPTER PLATE		AE-54609-02	AE-54609-02	AE-54609-02	AE-54609-02	AE-54609-02	AE-54609-02	AE-54609-02
36	FAN BLADE:								
	24", 19 Pitch, CCW, 1/2" Bore	cr		70-23137-01	70-23137-01				
	24", 22 Pitch, CCW, 1/2" Bore	cr	70-19897-01			70-19897-01	70-19897-01	70-19897-01	70-19897-01

No.	MODEL	Note	[-]KKA- [-]KMA	[-]KKA-	[-]KMA-	[-]KKA- [-]KMA-	[-]KKA-		
	<b>TECHNICAL VARIATION COOLING CAPACITY ELECTRICAL DESIGNAT.</b>		<b>A 036-048 Y</b>	<b>A 060 Y</b>	<b>A 060 Y</b>	<b>A 072/ 073 Y</b>	<b>A 085 Y</b>		
<b>FAN GROUP</b>									
35	MOTOR:								
	1/3 HP, 575 Volt, 1 Speed	stk	51-42180-02	51-42180-02	51-42180-02	51-42180-02	51-42180-02		
41	RUN CAPACITOR - Oval :								
	7.5/370 MFD/Volt	cr	43-25134-03	43-25134-03	43-25134-03	43-25134-03	43-25134-03		
np	CAPACITOR ADAPTER PLATE		AE-54609-02	AE-54609-02	AE-54609-02	AE-54609-02	AE-54609-02		
36	FAN BLADE:								
	24", 19 Pitch, CCW, 1/2" Bore	cr	70-23137-01	70-23137-01					
	24", 22 Pitch, CCW, 1/2" Bore	cr			70-19897-01	70-19897-01	70-19897-01		





No.	MODEL	Note	[-]KKA- [-]KMA A 036-048 KMA-A060 J	[-]KKA- A 060 J	[-]KKA- [-]KMA- A 036-085 C	[-]KKA- [-]KMA- A 036-085 D	[-]KKA- A 036-085 N	[-]KKA- A 036-085 P	[-]KKA- [-]KMA- A 036-085 Y
<b>ELECTRIC GROUP</b>									

CONTROL BOX COMPONENTS:

37	Integrated Furnace Control	stk	62-23599-01	62-23599-01	62-23599-01	62-23599-01	62-23599-01	62-23599-01	62-23599-01
38	Belt Drive Blower Contactor	stk	42-25103-02	42-25103-02	42-25103-02	42-25103-02	42-25103-02	42-25103-02	42-25103-02
39	Compressor Time Delay		SEE COMPRESSOR GROUP						
40	Compressor Contactor:								
40A	30 AMP/24 Volt/1 Pole	cr	42-25101-03	[-]KMA-A060 42-25101-03	dna	dna	dna	dna	dna
40A	40 AMP/24 Volt/2 Pole	cr	dna	[-]KKA-A060 42-25102-03	dna	dna	dna	dna	dna
40B	30 AMP/24 Volt/3 Pole	cr	dna	dna	42-25103-01	42-25103-01	42-25103-01	42-25103-01	42-25103-01
41	Dual Fan Motor Capacitor		SEE FAN MOTOR GROUP/COMPRESSOR GROUP FOR DUAL CAPACITORS						
np	Run Fan Motor Capacitor Adapter		SEE FAN MOTOR GROUP						
42	Stepdown Transformer - D, N & Y Voltage Only	stk	dna	dna	dna	46-23585-01	46-23585-02	dna	46-23585-01
43	Transformer - (Both the Prime and Alt. Shapes are drawn)	cr	46-25107-03	46-25107-03	46-25107-03	46-25107-03	46-25107-03	46-25107-03	46-25107-03
44	AUXILIARY LIMIT Blower Extension)	stk	47-17359-30	47-17359-30	47-17359-30	47-17359-30	47-17359-30	47-17359-30	47-17359-30
58	BLOWER MOTOR CAPACITOR - Direct Drive		SEE BLOWER GROUP FOR MOTOR CAPACITOR						
45	MAIN LIMIT - (Cond. Bulkhead)		SEE HEAT EXCHANGER GROUP FOR MAIN LIMIT SWITCH						
97	OVERTEMPERATURE SWITCH		SEE THE BURNER TRAY GROUP FOR OVERTEMPERATURE LIMIT SWITCH						
47	PRESSURE SWITCH	stk	42-23564-04	42-23564-04	42-23564-04	42-23564-04	42-23564-01	42-23564-01	42-23564-04
48	INDUCER BLOWER MOTOR - Including Gasket	cr	70-23641-81	70-23641-81	70-23641-81	70-23641-81	70-23641-81	70-23641-81	70-23641-81
49	Inducer Blower Motor Gasket	stk	68-23643-01	68-23643-01	68-23643-01	68-23643-01	68-23643-01	68-23643-01	68-23643-01
	STANDARD OR OPTIONAL:								
--	Low Ambient Control	stk	47-21465-03	47-21465-03	47-21465-03	47-21465-03	47-21465-03	47-21465-03	47-21465-03
50	Low Pressure Control	stk	47-21466-03	47-21466-03	47-21466-03	47-21466-03	47-21466-03	47-21466-03	47-21466-03
51	High Pressure Control	cr	47-21604-03	47-21604-03	47-21604-03	47-21604-03	47-21604-03	47-21604-03	47-21604-03
52	Freeze Stat-Size A085 has (2)	stk	47-23683-01	47-23683-01	47-23683-01	47-23683-01	47-23683-01	47-23683-01	47-23683-01
np	Disconnect Switch	stk	dna	dna	42-41951-02	42-41951-05	dna	dna	dna

No.	MODEL	Note	[-]KKA- [-]KMA A 036-042 048 J / C K	[-]KKA- [-]KMA- A 060 J / C K	[-]KKA- [-]KMA A 036-042 048 D K	[-]KKA- [-]KMA- A 060 D K			
<b>BLOWER ASSEMBLY GROUP - DIRECT DRIVE</b>									

53	BLOWER ASSY - DIRECT DRIVE		AS-59050-03	AS-59050-06	AS-59050-09	AS-59050-11			
54	Housing		AS-58944-01	AS-58944-01	AS-58944-01	AS-58944-01			
55	Wheel - 10 x 10, CCW	stk	70-23110-30	70-23110-30	70-23110-30	70-23110-30			
56	Cut-Off		AE-64401-05	AE-64401-05	AE-64401-05	AE-64401-05			
57	Motor:								
	1/2 HP, 208-230 Volt, 3 Speed	stk	51-23679-01						
	1/2 HP, 460 Volt, 3 Speed	stk			51-23679-02				
	3/4 HP, 208-230 Volt, 3 Speed	stk		51-23555-02					
	3/4 HP, 460 Volt, 2 Speed	stk				51-23555-03			
58	Motor Capacitor								
	10/370 MFD/Volts	cr	43-25134-04		43-25134-04	43-25134-04			
	15/370 MFD/Volts	cr		43-25134-06					
59	Motor Band	stk	70-19927-01	70-19927-01	70-19927-01	70-19927-01			
60	Motor Mounting Arm (3)	stk	70-19929-02	70-19929-02	70-19929-02	70-19929-02			
61	Blower Support		AE-58950-02	AE-58950-02	AE-58950-02	AE-58950-02			

No.	MODEL	Note	[-]KKA- [-]KMA- A 036 C/D/Y L	[-]KKA- [-]KMA- A 036 C/D/Y M	[-]KKA- A 036/042 N/P L	[-]KKA- [-]KMA- A 042 C/D/Y L/M	[-]KKA- [-]KMA- A 048 C/D/N/P/Y L	[-]KKA- [-]KMA- A 048 C/D/Y M
-----	-------	------	--	--	-------------------------------------	--	--	--

**BLOWER ASSEMBLY GROUP - BELT DRIVE**

62	BLOWER ASSEMBLY (Less Motor, Belt and Pulley) Consisting of the following indented items:		AS-59056-13	AS-59056-14	AS-59056-14	AS-59056-13	AS-59056-14	AS-59056-15
63	Housing		AS-58944-01	AS-58944-01	AS-58944-01	AS-58944-01	AS-58944-01	AS-58944-01
64	Bearing Frame Tri-Arm (2)	stk	70-41723-03	70-41723-03	70-41723-03	70-41723-03	70-41723-03	70-41723-03
65	Ball Bearing & Cushion (2)	stk	70-41722-03	70-41722-03	70-41722-03	70-41722-03	70-41722-03	70-41722-03
66	3/4" Blower Shaft	stk	70-21933-02	70-21933-02	70-21933-02	70-21933-02	70-21933-02	70-21933-02
67	Fixed Pitch Sheave	stk	71-21932-04	71-21932-03	71-21932-03	71-21932-04	71-21932-03	71-21932-02
68	Blower Support - Left (Housing to Evaporator Coil)		AE-58950-02	AE-58950-02	AE-58950-02	AE-58950-02	AE-58950-02	AE-58950-02
69	Wheel:							
	10" x 10", CW, 3/4" Bore	stk	70-23589-01	70-23589-01	70-23589-01	70-23589-01	70-23589-01	70-23589-01
70	Cut-Off		AE-64401-05	AE-64401-05	AE-64401-05	AE-64401-05	AE-64401-05	AE-64401-05

No.	MODEL	Note	[-]KKA- [-]KMA- A 060 C/D/N/P/Y L	[-]KKA- [-]KMA- A 060 C/D/Y M	[-]KKA- [-]KMA- A 072 C/D/N/P/Y L	[-]KKA- [-]KMA- A 072 C/D/Y M	[-]KKA- [-]KMA- A 085 C/D/N/P/Y L	[-]KKA- [-]KMA- A 085 C/D/N/P/Y M
-----	-------	------	--	--	--	--	--	--

**BLOWER ASSEMBLY GROUP - BELT DRIVE**

62	BLOWER ASSEMBLY (Less Motor, Belt and Pulley) Consisting of the following indented items:		AS-59056-14	AS-59056-14	AS-59056-12	AS-59056-12	AS-59056-06	AS-59056-07
63	Housing		AS-58944-01	AS-58944-01	AS-58944-01	AS-58944-01	AS-58948-01	AS-58948-01
64	Bearing Frame Tri-Arm (2)	stk	70-41723-03	70-41723-03	70-41723-03	70-41723-03	70-41723-02	70-41723-02
65	Ball Bearing & Cushion (2)	stk	70-41722-03	70-41722-03	70-41722-03	70-41722-03	70-41722-04	70-41722-04
66	3/4" Blower Shaft	stk	70-21933-02	70-21933-02	70-21933-02	70-21933-02	70-21933-02	70-21933-02
67	Fixed Pitch Sheave	stk	71-21932-03	71-21932-03	71-21932-03	71-21932-03	71-21932-03	71-21932-02
68	Blower Support - Left (Housing to Evaporator Coil)		AE-58950-02	AE-58950-02	AE-58950-02	AE-58950-02	AE-58950-03	AE-58950-03
69	Wheel:							
	10" x 10", CW, 3/4" Bore	stk	70-23589-01	70-23589-01				
	11" x 10", CW, 3/4" Bore	stk			70-21773-01	70-21773-01	70-21773-01	70-21773-01
70	Cut-Off		AE-64401-05	AE-64401-05	AE-64401-05	AE-64401-05	AE-64401-18	AE-64401-18



No.	MODEL	Note	[-]KKA- [-]KMA-	[-]KKA- [-]KMA-	[-]KKA- [-]KMA-	[-]KKA- [-]KMA-	[-]KKA- [-]KMA-	[-]KKA-	[-]KKA-
	<b>TECHNICAL VARIATION</b>		<b>A</b>	<b>A</b>	<b>A</b>	<b>A</b>	<b>A</b>	<b>A</b>	<b>A</b>
	<b>COOLING CAPACITY</b>		<b>036</b>	<b>042</b>	<b>048</b>	<b>060</b>	<b>072</b>	<b>073</b>	<b>085</b>
	<b>ELECTRICAL DESIGN</b>		<b>Y</b>	<b>Y</b>	<b>Y</b>	<b>Y</b>	<b>Y</b>	<b>Y</b>	<b>Y</b>
	<b>DRIVE PACKAGE</b>		<b>L</b>	<b>L</b>	<b>L</b>	<b>L</b>	<b>L</b>	<b>L</b>	<b>L</b>

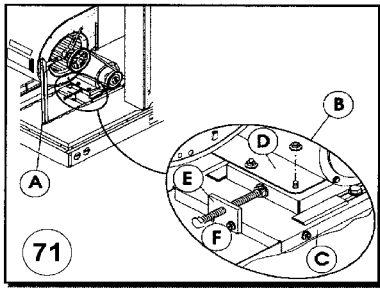
**MOTOR, BELT AND VARIABLE PITCH SHEAVE FOR BLOWER ASSEMBLY BELT DRIVE**

66	MOTOR:									
	1 HP, 575 Volts	cr	51-22241-01	51-22241-01	51-22241-01	51-22241-01				
	1.5 HP, 575 Volt	stk					51-42177-10	51-42177-10	51-42177-10	
67	VARIABLE PTICH SHEAVE	stk	71-40427-30	71-40427-30	71-40427-29	71-40427-29	71-40427-29	71-40427-29	71-40427-25	
68	BELT - approximate date codes									
	On or Before 4298		71-40235-40 Size 42	71-40235-41 Size 43	71-40235-39 Size 41	71-40235-39 Size 41	71-40235-41 Size 43	dna	dna	
	After 4298	stk	71-40235-40 Size 42	71-40235-40 Size 42	71-40235-40 Size 42	71-40235-40 Size 42	71-40235-40 Size 42	71-40235-40 Size 42	71-40235-40 Size 42	

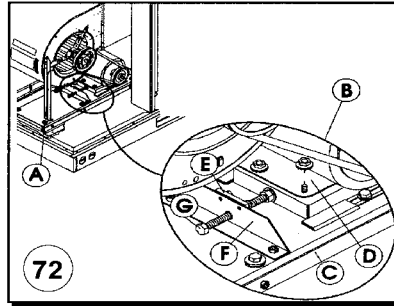
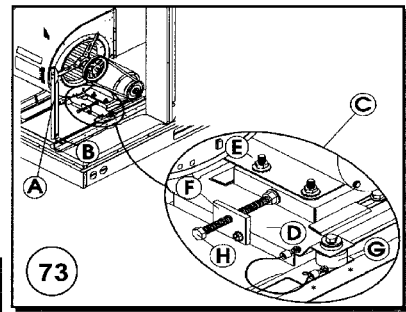
No.	MODEL	Note	[-]KKA- [-]KMA-	[-]KKA- [-]KMA-	[-]KKA- [-]KMA-	[-]KKA- [-]KMA-	[-]KKA- [-]KMA-	[-]KKA-	[-]KKA-
	<b>TECHNICAL VARIATION</b>		<b>A</b>	<b>A</b>	<b>A</b>	<b>A</b>	<b>A</b>	<b>A</b>	<b>A</b>
	<b>COOLING CAPACITY</b>		<b>036</b>	<b>042</b>	<b>048</b>	<b>060</b>	<b>072</b>	<b>073</b>	<b>085</b>
	<b>ELECTRICAL DESIGN</b>		<b>Y</b>	<b>Y</b>	<b>Y</b>	<b>Y</b>	<b>Y</b>	<b>Y</b>	<b>Y</b>
	<b>DRIVE PACKAGE</b>		<b>M</b>	<b>M</b>	<b>M</b>	<b>M</b>	<b>M</b>	<b>M</b>	<b>M</b>

**MOTOR, BELT AND VARIABLE PITCH SHEAVE FOR BLOWER ASSEMBLY BELT DRIVE**

66	MOTOR:									
	1 HP, 575 Volt	cr	51-22241-01	51-22241-01	51-22241-01	51-22241-01				
	1.5 HP, 575 Volt	stk					51-42177-10	51-42177-10	51-42177-10	
		cr								
67	VARIABLE PITCH SHEAVE	stk	71-40427-25	71-40427-43	71-40427-25	71-40427-43	71-40427-25	71-40427-25	71-40427-25	
68	BELT - approximate date codes									
	Before date 8-31-98		dna	71-40235-40 Size 42	dna	dna	dna	dna	dna	
	Between 8-31 to 10-31-98		dna	71-40235-42	71-40235-39 Size 41	71-40235-40 Size 42	71-40235-42	dna	dna	
	After 10-31-98	stk	71-40235-40	71-40235-43	71-40235-40 Size 42	71-40235-42	71-40235-40	71-40235-40	71-40235-39	



Right Blower Support  
And Motor Mounting



No.	MODEL TECHNICAL VARIATION	Note	[-]KKA- [-]KMA- A ALL MODELS						
<b>RIGHT BLOWER SUPPORT AND MOTOR MOUNTING</b>									
71	MOTOR MOUNTING WITHOUT GROMMETS - APPROXIMATE DATE CODE ON OR BEFORE 4897								
71A	Right Blower Support		AE-59060-01						
71B	Motor Mounting Assembly		AS-59058-01						
71C	Motor Mounting Base		AE-59052-01						
71D	Motor Mounting Top		AS-59054-01						
71E	Tread Plate		63-23587-01						
71F	Bolt		63-19919-06						
72	MOTOR MOUNTING WITH (6) GROMMETS - APPROXIMATE DATE CODE BETWEEN 4897 - 4298								
72A	Right Blower Support		AE-59060-01						
72B	Motor Mounting Assembly		AS-59058-02						
NP	Motor Support Channel Under Adjusting Plate		AE-59341-01						
72C	Motor Adjusting Plate		AE-59052-02						
72D	Motor Mounting Top		AS-59054-01						
72E	Treaded Plate		63-23587-01						
72F	Motor Adjustment Bracket		AE-59340-01						
72G	Bolt		63-19919-06						
NP	Grommet (6)		56-18518-04						
NP	Bolts (6)		63-20072-03						
73	MOTOR MOUNTING WITH (4) GROMMETS - APPROXIMATE DATE CODE AFTER 4298								
73A	Right Blower Support		AE-59060-02						
73B	Right Blower Support Bracket		AE-59174-01						
73C	Motor Mounting Assembly		AS-59058-03						
73D	Motor Mounting Base		AE-59052-03						
73E	Motor Mounting Top		AS-59054-01						
73F	Threaded Plate		63-23587-01						
73G	Grommet (4)		56-18518-04						
73H	Bolt		63-19919-06						

## COMPRESSOR GROUP

THE ORIGINAL COMPRESSORS LISTED ARE THE PRIMARY PARTS USED ON THESE UNITS. OTHER COMPRESSORS MAY SOMETIMES BE USED. THE REPLACEMENT COMPRESSORS LISTED BELOW SHOULD BE USED TO REPLACE THE ORIGINAL COMPRESSORS. IF YOUR UNIT HAS A DIFFERENT COMPRESSOR, REFER TO YOUR "COMPRESSOR ID SHEETS".

No.	MODEL TECHNICAL VARIATION COOLING CAPACITY ELECTRICAL DESIGN.	Note	[-]KKA- A 036 J	[-]KKA- A 042 J	[-]KKA- A 048 J	[-]KKA- A 060 J	[-]KKA- A 036 C	[-]KKA- A 042 C	[-]KKA- A 048 C
<b>ORIGINAL AND REPLACEMENT COMPRESSOR - READ NOTE ABOVE</b>									
86	<b>Original Compressor ID</b>		5631	5634	5638	5642	5620	5635	5639
	Original Compressor		55-23139-62	55-23139-25	55-23139-37	55-23139-33	55-23139-63	55-23139-26	55-23139-38
	Replacement Compressor	stk	55-23139-62s	55-23139-25s	55-23139-37s	55-23139-33s	55-23139-63s	55-23139-26s	55-23139-38s
41	DUAL RUN CAPACITOR-ROUND		43-23204-17 55/5/370	43-23204-19 60/5/370	43-23204-19 60/5/370	43-23204-29 80/5/370	dna	dna	dna
np	START KIT ACCESSORY	stk	SK-A1-1	SK-A4-1	SK-A4-1	SK-A4-1	dna	dna	dna
	Start Relay	stk	42-25105-01	42-25105-01	42-25105-01	42-25105-01	dna	dna	dna
	Start Capacitor	stk	43-17075-04	43-17075-07	43-17075-07	43-17075-07	dna	dna	dna
39	TIME DELAY RELAY	stk	42-22756-01	42-22756-01	42-22756-01	42-22756-01	dna	dna	dna
np	ADD ON OR REPLACEMENT CRANKCASE HEATER	stk	44-17402-45	44-17402-47	44-17402-47	44-17402-47	44-17402-45	44-17402-47	44-17402-47

No.	MODEL TECHNICAL VARIATION COOLING CAPACITY ELECTRICAL DESIGN.	Note	[-]KKA- A 060 C	[-]KKA- A 072 C	[-]KKA- A 073 C	[-]KKA- A 085 C	[-]KKA- A 036 D	[-]KKA- A 042 D	[-]KKA- A 048 D
<b>ORIGINAL AND REPLACEMENT COMPRESSOR - READ NOTE ABOVE</b>									
86	<b>Original Compressor ID</b>		5643	5304	6594	6219	5632	5636	5640
	Original Compressor		55-23139-34	55-23141-43	55-23141-43	55-23139-71(2)	55-23139-64	55-23139-27	55-23139-39
	Replacement Compressor	stk	55-23139-34s	55-23141-83s	55-23141-83s	55-23139-71s(2)	55-23139-64s	55-23139-27s	55-23139-39s
np	ADD ON OR REPLACEMENT CRANKCASE HEATER	stk	44-17402-47	44-17402-47	44-17402-47	44-17402-45	44-17402-46	44-17402-48	44-17402-48

No.	MODEL TECHNICAL VARIATION COOLING CAPACITY ELECTRICAL DESIGN.	Note	[-]KKA- A 060 D	[-]KKA- A 072 D	[-]KKA- A 073 D	[-]KKA- A 085 D	[-]KKA- A 036 N	[-]KKA- A 042 N	[-]KKA- A 048 N
<b>ORIGINAL AND REPLACEMENT COMPRESSOR - READ NOTE ABOVE</b>									
86	<b>Original Compressor ID</b>		5644	5305	6595	6220	5824	5828	5832
	Original Compressor		55-23139-35	55-23141-44	55-23141-44	55-23139-72(2)	55-23139-64	55-23139-27	55-23139-39
	Replacement Compressor	stk	55-23139-35s	55-23141-84s	55-23141-84s	55-23139-72s(2)	55-23139-64s	55-23139-27s	55-23139-39s
np	ADD ON OR REPLACEMENT CRANKCASE HEATER	stk	44-17402-48	44-17402-11	44-17402-11	44-17402-46	44-17402-46	44-17402-48	44-17402-48

No.	MODEL TECHNICAL VARIATION COOLING CAPACITY ELECTRICAL DESIGN.	Note	[-]KKA- A 060 N	[-]KKA- A 072 N	[-]KKA- A 073 N	[-]KKA- A 085 N	[-]KKA- A 036 P	[-]KKA- A 042 P	[-]KKA- A 048 P
<b>ORIGINAL AND REPLACEMENT COMPRESSOR - READ NOTE ABOVE</b>									
86	<b>Original Compressor ID</b>		5836	5838	6598	6247	5822	5826	5830
	Original Compressor		55-23139-35	55-23141-44	55-23141-44	55-23139-72(2)	55-23139-63	55-23139-26	55-23139-38
	Replacement Compressor	stk	55-23139-35s	55-23141-84s	55-23141-84s	55-23139-72s(2)	55-23139-63s	55-23139-26s	55-23139-38s
np	ADD ON OR REPLACEMENT CRANKCASE HEATER	stk	44-17402-48	44-17402-11	44-17402-11	44-17402-46	44-17402-45	44-17402-47	44-17402-47

No.	MODEL TECHNICAL VARIATION COOLING CAPACITY ELECTRICAL DESIGN.	Note	[-]KKA- A 060 P	[-]KKA- A 072 P	[-]KKA- A 073 P	[-]KKA- A 085 P	[-]KKA- A 036 Y	[-]KKA- A 042 Y	[-]KKA- A 048 Y
<b>ORIGINAL AND REPLACEMENT COMPRESSOR - READ NOTE ABOVE</b>									
86	<b>Original Compressor ID</b>		5834	5837	6597	6246	5633	5637	5641
	Original Compressor		55-23139-34	55-23141-43	55-23141-43	55-23139-71(2)	55-23139-65	55-23139-28	55-23139-40
	Replacement Compressor	stk	55-23139-34s	55-23141-83s	55-23141-83s	55-23139-71s(2)	55-23139-65s	55-23139-28s	55-23139-40s
np	ADD ON OR REPLACEMENT CRANKCASE HEATER	stk	44-17402-47	44-17402-47	44-17402-47	44-17402-45	Not Available	Not Available	44-17402-49

## COMPRESSOR GROUP

THE **ORIGINAL COMPRESSORS** LISTED ARE THE PRIMARY PARTS USED ON THESE UNITS. OTHER COMPRESSORS MAY SOMETIMES BE USED. THE **REPLACEMENT COMPRESSORS** LISTED BELOW SHOULD BE USED TO REPLACE THE **ORIGINAL COMPRESSORS**. IF YOUR UNIT HAS A DIFFERENT COMPRESSOR, REFER TO YOUR "COMPRESSOR ID SHEETS".

No.	MODEL TECHNICAL VARIATION COOLING CAPACITY ELECTRICAL DESIGN.	Note	[-]KKA- A 060 Y	[-]KKA- A 072 Y	[-]KKA- A 073 Y	[-]KKA- A 085 Y	[-]KMA- A 036 J	[-]KMA- A 042 J	[-]KMA- A 048 J
-----	--	------	--------------------------	--------------------------	--------------------------	--------------------------	--------------------------	--------------------------	--------------------------

### ORIGINAL AND REPLACEMENT COMPRESSOR - READ NOTE ABOVE

86	<b>Original Compressor ID</b>		5645	5306	6597	6221	5646	5650	5623
	Original Compressor		55-23139-36	55-23141-45	55-23141-45	55-23139-82(2)	55-23139-57	55-23139-62	55-23139-25
	Replacement Compressor	stk	55-23139-36s	55-23141-85s	55-23141-85s	55-23139-82s(2)	55-23139-57s	55-23139-62s	55-23139-25s
41	DUAL RUN CAPACITOR-ROUND		dna	dna	dna	dna			
	50/5/370 MFD/Volts	stk					43-23204-15		
	55/5/370 MFD/Volts	stk						43-23204-17	
	60/5/370 MFD/Volts	stk							43-23204-19
np	START KIT ACCESSORY	stk	dna	dna	dna	dna	SK-A1-1	SK-A1-1	SK-A4-1
	Start Relay	stk	dna	dna	dna	dna	42-25105-01	42-25105-01	42-25105-01
	Start Capacitor	stk	dna	dna	dna	dna	43-17075-04	43-17075-04	43-17075-07
39	TIME DELAY RELAY	stk	dna	dna	dna	dna	42-22756-01	42-22756-01	42-22756-01
np	ADD ON OR REPLACEMENT CRANKCASE HEATER	stk	44-17402-49	44-17402-12	44-17402-12	44-41720-03	44-17402-45	44-17402-45	44-17402-47

No.	MODEL TECHNICAL VARIATION COOLING CAPACITY ELECTRICAL DESIGN.	Note	[-]KMA- A 060 J	[-]KMA- A 036 C	[-]KMA- A 042 C	[-]KMA- A 048 C	[-]KMA- A 060 C	[-]KMA- A 072 C
-----	--	------	--------------------------	--------------------------	--------------------------	--------------------------	--------------------------	--------------------------

### ORIGINAL AND REPLACEMENT COMPRESSOR - READ NOTE ABOVE

86	<b>Original Compressor ID</b>		5624	5647	5651	5654	5657	6647
	Original Compressor		55-23139-29	55-23139-58	55-23139-63	55-23139-26	55-23139-30	55-23139-53(2)
	Replacement Compressor	stk	55-23139-29s	55-23139-58s	55-23139-63s	55-23139-26s	55-23139-30s	55-23139-53s(2)
41	DUAL RUN CAPACITOR-ROUND			dna	dna	dna	dna	dna
	80/10/370 MFD/Volts	stk	43-23204-30					
np	START KIT ACCESSORY	stk	SK-A4-1	dna	dna	dna	dna	dna
	Start Relay	stk	42-25105-01	dna	dna	dna	dna	dna
	Start Capacitor	stk	43-17075-07	dna	dna	dna	dna	dna
39	TIME DELAY RELAY	stk	42-22756-01	dna	dna	dna	dna	dna
np	ADD ON OR REPLACEMENT CRANKCASE HEATER	stk	44-17402-47	44-17402-45	44-17402-45	44-17402-47	44-17402-47	44-17402-45

No.	MODEL TECHNICAL VARIATION COOLING CAPACITY ELECTRICAL DESIGN.	Note	[-]KMA- A 036 D	[-]KMA- A 042 D	[-]KMA- A 048 D	[-]KMA- A 060 D	[-]KMA- A 072 D	[-]KMA- A 072 N	[-]KMA- A 072 P
-----	--	------	--------------------------	--------------------------	--------------------------	--------------------------	--------------------------	--------------------------	--------------------------

### ORIGINAL AND REPLACEMENT COMPRESSOR - READ NOTE ABOVE

86	<b>Original Compressor ID</b>		5648	5652	5655	5658	6648	6650	6651
	Original Compressor		55-23139-59	55-23139-64	55-23139-27	55-23139-31	55-23139-54(2)	55-23139-54(2)	55-23139-53(2)
	Replacement Compressor	stk	55-23139-59s	55-23139-64s	55-23139-27s	55-23139-31s	55-23139-54s(2)	55-23139-54s(2)	55-23139-53s(2)
np	ADD ON OR REPLACEMENT CRANKCASE HEATER	stk	44-17402-46	44-17402-46	44-17402-48	44-17402-48	44-17402-46	44-17402-46	44-17402-45

No.	MODEL TECHNICAL VARIATION COOLING CAPACITY ELECTRICAL DESIGN.	Note	[-]KMA- A 036 Y	[-]KMA- A 042 Y	[-]KMA- A 048 Y	[-]KMA- A 060 Y	[-]KMA- A 072 Y
-----	--	------	--------------------------	--------------------------	--------------------------	--------------------------	--------------------------

### ORIGINAL AND REPLACEMENT COMPRESSOR - READ NOTE ABOVE

86	<b>Original Compressor ID</b>		5649	5653	5656	5659	6649
	Original Compressor		55-23139-60	55-23139-65	55-23139-32	55-23139-32	55-23139-55(2)
	Replacement Compressor	stk	55-23139-60s	55-23139-65s	55-23139-32s	55-23139-32s	55-23139-55s(2)
np	ADD ON OR REPLACEMENT CRANKCASE HEATER	stk	Not Available	Not Available	Not Available	Not Available	Not Available



No.	MODEL	Note	[-]KKA- [-]KMA- A 07/ 08	[-]KKA- [-]KMA- A 09/ 10	[-]KKA- [-]KMA- A 11/ 12	[-]KKA- [-]KMA- A 13		
-----	-------	------	-----------------------------------	-----------------------------------	-----------------------------------	-------------------------------	--	--

**DIRECT SPARK IGNITION - WHITE-RODGERS GAS CONTROL  
SERIAL CONTROL CODES - 1X**

107	GAS VALVE - WR 36E37-214	stk	60-23490-01	60-23490-01	60-23490-01	60-23490-01		
108	STREET ELBOW	stk	81-17486-01	81-17486-01	81-17486-01	81-17486-01		
<b>WARNING: WHEN CONVERTING NOx MODELS TO LP/PROPANE GAS REMOVE THE NOx BURNER INSERTS.</b>								
np	LP/PROPANE GAS CONVERSION KIT	stk	EP-84W	EP-84W	EP-84W	EP-84W		
107	GAS VALVE For LP/Propane, Use WR 36E37-214, Natural & Spring Conversion Assembly	lp	60-23490-01 60-21193-01	60-23490-01 60-21193-01	60-23490-01 60-21193-01	60-23490-01 60-21193-01		
104	<b>Burner Orifice - LP/Propane - (See Conversion Kit Index 92-21519-47 for Complete High Altitude Orifice Instructions.)</b>							
	U.S. and Canadian Models 0-2000' Elevation	lp	62-21551-55 QTY 4	62-21551-55 QTY 5	62-21551-55 QTY 6	62-21551-54 QTY 6		
	U.S. Models 2000' - 4000' and Canadian Models 2000'-4500' Elevation	lp	62-21551-13 QTY 4	62-21551-13 QTY 5	62-21551-13 QTY 6	62-21551-55 QTY 6		

**DIRECT SPARK IGNITION - HONEYWELL GAS CONTROL  
SERIAL CONTROL CODES - 1R**

107	GAS VALVE -VR8205M1106	stk	60-22447-07	60-22447-07	60-22447-07	60-22447-07		
108	STREET ELBOW	stk	81-17486-01	81-17486-01	81-17486-01	81-17486-01		
np	Nipple		81-40683-02	81-40683-02	81-40683-02	81-40683-02		
<b>WARNING: WHEN CONVERTING NOx MODELS TO LP/PROPANE GAS REMOVE THE NOx BURNER INSERTS.</b>								
np	LP/PROPANE GAS CONVERSION KIT	stk	EP-85H	EP-85H	EP-85H	EP-85H		
107	GAS VALVE For LP/Propane, Use HW VR8205M1106, Natural & Spring Conv Assy (HW 393691)	lp	60-22447-07 60-22513-01	60-22447-07 60-22513-01	60-22447-07 60-22513-01	60-22447-07 60-22513-01		
104	<b>Burner Orifice - LP/Propane - (See Conversion Kit Index 92-21519-47 for Complete High Altitude Orifice Instructions.)</b>							
	U.S. and Canadian Models 0-2000' Elevation	lp	62-21551-55 QTY 4	62-21551-55 QTY 5	62-21551-55 QTY 6	62-21551-54 QTY 6		
	U.S. Models 2000' - 4000' and Canadian Models 2000'-4500' Elevation	lp	62-21551-13 QTY 4	62-21551-13 QTY 5	62-21551-13 QTY 6	62-21551-55 QTY 6		

**DIRECT SPARK IGNITION - WHITE-RODGERS SLOW-OPEN GAS CONTROL  
SERIAL CONTROL CODES - 2A**

107	GAS VALVE - WR 36E23-202	stk	60-24290-01	60-24290-01	60-24290-01	60-24290-01		
108	STREET ELBOW	stk	81-17486-01	81-17486-01	81-17486-01	81-17486-01		
<b>WARNING: WHEN CONVERTING NOx MODELS TO LP/PROPANE GAS REMOVE THE NOx BURNER INSERTS.</b>								
np	LP/PROPANE GAS CONVERSION KIT	stk	EP-84W	EP-84W	EP-84W	EP-84W		
107	GAS VALVE For LP/Propane, Use WR 36E37-214, Natural & Spring Conversion Assembly	lp	60-23490-01 60-21193-01	60-23490-01 60-21193-01	60-23490-01 60-21193-01	60-23490-01 60-21193-01		
104	<b>Burner Orifice - LP/Propane - (See Conversion Kit Index 92-21519-47 for Complete High Altitude Orifice Instructions.)</b>							
	U.S. and Canadian Models 0-2000' Elevation	lp	62-21551-55 QTY 4	62-21551-55 QTY 5	62-21551-55 QTY 6	62-21551-54 QTY 6		
	U.S. Models 2000' - 4000' and Canadian Models 2000'-4500' Elevation	lp	62-21551-13 QTY 4	62-21551-13 QTY 5	62-21551-13 QTY 6	62-21551-55 QTY 6		

No.	MODEL	Note	[-]KKA- [-]KMA- A 07/ 08	[-]KKA- [-]KMA- A 09/ 10	[-]KKA- [-]KMA- A 11/ 12	[-]KKA- [-]KMA- A 13			
<b>MAIN LIMIT/HEAT EXCHANGER/COLLECTOR BOX/ BURNER ASSEMBLY: BURNER, MANIFOLD, ORIFICE, FLAME SENSOR, IGNITION ELECTRODE &amp; CABLE</b>									
45	MAIN LIMIT-(COND. BULKHEAD)								
	Ignition System:								
	E - Electric	stk	47-23610-25 L07E 47-23610-19 K08E L08E M08E DK08E	47-23610-25 L09E 47-23610-19 L10E M10E DK10E 47-23610-21 K10E	47-23610-19 L11E 47-23610-17 085?L11E 085?M11E 47-23610-21 M12E DK12E 47-23610-27 K12E	47-23610-19 K13E L13E M13E DK13E 47-23610-17 085?L13E 085?M13E			
	X - Electric with NOx	stk	47-23610-23 K08X L08X M08X DK08X	47-23610-21 L10X M10X DK10X 47-23610-25 K10X	47-23610-29 K12X 47-23610-27 L12X M12X DK12X	47-23610-19 K13X L13X M13X DK13X			
	T - Electric - 085 size only	stk	dna	dna	dna	47-23610-09 085?L13T 085?M13T			
46	MAIN LIMIT SHIELD		AS-59152-01	AS-59152-01	AS-59152-01	AS-59152-01			
87	HEAT EXCHANGER - Includes Center Panel		AS-59066-01	AS-59066-05	AS-59066-04	AS-59066-04			
88	TURBULATORS (Nox)		AE-58922-01(4)	AE-58922-01(5)	AE-58922-01(6)	AE-58922-01(6)			
89	NOx INSERTS	stk	75-23684-01 QTY 4	75-23684-01 QTY 5	75-23684-01 QTY 6	75-23684-01 QTY 6			
90	DIVIDER PLATE GASKET	stk	68-23680-02	68-23680-02	68-23680-02	68-23680-02			
91	DIVIDER PLATE	Phone	AE-59067-01	AE-59067-01	AE-59067-01	AE-59067-01			
92	COLLECTOR BOX GASKET	stk	68-23680-01	68-23680-01	68-23680-01	68-23680-01			
93	COLLECTOR BOX COVER		AE-59058-04 size 07 AE-59068-01 size 08	AE-59068-02	AE-59068-05 size 11 AE-59068-06 size 12	AE-59068-03			
94	FLUE DUCT	stk	75-23678-01	75-23678-01	75-23678-01	75-23678-01			
95	FLUE DUCT GASKET	stk	68-23680-03	68-23680-03	68-23680-03	68-23680-03			
96	BURNER SHEILD		AE-58886-01	AE-58886-01	AE-58886-01	AE-58886-01			
97	OVERTEMPERATURE SWITCH	stk	47-22861-01(1)	47-22861-01(2)	47-22861-01(2)	47-22861-01(2)			
98	BURNER FLOOR		AE-58932-02	AE-58932-02	AE-58932-02	AE-58932-02			
BURNER ASSEMBLY CONSISTING OF:									
99	Burner Tubes								
	Model Produced Before 3-26-96		Model was produced with burners not including shield. If replacing burner WITHOUT shield with current burner WITH shield. All older burners WITHOUT shield must be replaced.						
	Burner With Shield	stk	75-22840-02(4)	75-22840-02(5)	75-22840-02(6)	75-22840-02(6)			
100	Burner Support - (Holds The Burners Between The Burner Supports Brackets)		AE-58887-02	AE-58887-02	AE-58887-02	AE-58887-02			
101	Burner Support Bracket (2)		AE-61588-01	AE-61588-01	AE-61588-01	AE-61588-01			
102	Manifold Less Orifices Or Plugs	stk	AS-59145-01	AS-59145-01	AS-59145-01	AS-59145-01			
103	Square Head Plug - (Used on Manifold to Plug Extra Holes)	stk	81-23593-01(3)	81-23593-01(2)	81-23593-01(1)	81-23593-01(1)			
104	<b>Burner Orifice - Natural (See Conversion Kit Index 92-21519-47 For Complete High Altitude Orifice Instructions)</b>								
	U.S. and Canadian Models 0-2000' Elevation	stk	62-21551-45(4)	62-21551-45(5)	62-21551-45(6)	62-21551-45(6)			
	U.S. Models 2,001'-4,000' Elev.	stk	62-21551-48(4)	62-21551-48(5)	62-21551-48(6)	62-21551-47(6)			
	U.S. Models 4,001'-6,000' Elev.	stk	62-21551-51(4)	62-21551-51(5)	62-21551-51(6)	62-21551-49(6)			
	Canadian Models 2000'-4,500' Elevation	stk	62-21551-15(4)	62-21551-15(5)	62-21551-15(6)	62-21551-45(6)			
105	Flame Sensor	stk	62-23543-02	62-23543-02	62-23543-02	62-23543-02			
106	Ignition Electrode and Cable	stk	62-23556-01	62-23556-01	62-23556-01	62-23556-01			

No.	MODEL TECHNICAL VARIATION HEATING CAPACITY	Note	[-]KKA- A 036/042	[-]KKA- A 048/060	[-]KKA- A 072/ 073/ 085	[-]KMA- A ALL		
<b>OPTIONS AND ACCESSORIES KITS</b>								
np	<b>LOUVER PANEL KITS: (Option 597)</b>	fi	RXRZ- AAD01A	RXRZ- AAD01B	RXRZ- AAD01B	RXRZ- AAD01B		
14	Louver - Small		AE-59028-01	AE-59028-01	AE-59028-01	AE-59028-01		
15	Louver - Long		AE-59028-03	AE-59028-03	AE-59028-03	AE-59028-03		
16	Louver - Square		dna	AE-59028-02	AE-59028-02	AE-59028-02		

No.	MODEL TECHNICAL VARIATION HEATING CAPACITY	Note	[-]KKA- [-]KMA- A 036-073	[-]KKA- A 085				
<b>OPTIONS AND ACCESSORIES KITS</b>								
np	<b>LOW AMBIENT CONTROL KIT</b>	fi	RXRZ-A18	RXRZ-A85				
np	Low Ambient Control (Option 618)	stk	47-21465-03	47-21465-03				
np	<b>TIME DELAY CONTROL KIT</b>	fi	RXMD-B01	RXMD-B04				
38	Time Delay Relay (Option 623)	cr	42-22756-03	42-22756-03 (2)				
np	<b>LOW PRESSURE CONTROL KIT</b>	fi	RXAC-A02	RXAC-A05				
42	Low Pressure Control	stk	47-21466-01	47-21466-01 (2)				
np	<b>HIGH PRESSURE CONTROL KIT</b>	fi	RXAB-A02	RXAB-A05				
43	High Pressure Control	stk	47-21605-01	47-21604-03 (2)				
np	<b>Fully Modulation Differential Kit</b>	fi	RXRD-CBD10	dna				
np	Differential Enthalpy Sensor 303140 C7400A		47-25262-16	dna				

No.	MODEL	Note	[-]KKA- [-]KMA- A 085  CURRENT VERSION	[-]KKA- [-]KMA- A 085  CURRENT VERSION	[-]KKA- [-]KMA- A 085  CURRENT VERSION	[-]KKA- [-]KMA- A 036-073  CURRENT VERSION	[-]KKA- [-]KMA- A 036-073  CURRENT VERSION	[-]KKA- [-]KMA- A 036-073  CURRENT VERSION
<b>OPTIONS AND ACCESSORIES KITS</b>								
	Economizers							
np	Outdoor Air Sensor Field Install	fi	RXR-EECM2			RXR-EECM2		
np	Single Enthalpy Field	fi		RXR-EECM3			RXR-EECM3	
np	Dual Enthalpy	fi			RXR-EECM4			RXR-EECM4
110	Damper Assembly		89-25268-18	89-25268-18	89-25268-18	89-25268-17	89-25268-17	89-25268-17
111	Blade Seal Black		68-25268-04 (3)	68-25268-04 (3)	68-25268-04 (3)	68-25268-04 (3)	68-25268-04 (3)	68-25268-04 (3)
112	Gear 6" Dia.		68-25268-19 (16)	68-25268-19 (16)	68-25268-19 (16)	68-25268-19 (16)	68-25268-19 (16)	68-25268-19 (16)
113	Barometric Relief		89-25268-16	89-25268-16	89-25268-16	89-25268-15	89-25268-15	89-25268-15
114	Outside Air Sensor		47-25268-25			47-25268-25		
115	Outside and Return Air Enthalpy Sensor		dna	47-25268-13	47-25268-13 (2)	dna	47-25268-13	47-25268-13(2)
116	Actuator Shaft Pin		64-25268-06	64-25268-06	64-25268-06	64-25268-06	64-25268-06	64-25268-06
117	Actuator Mounting Bracket		89-25268-09	89-25268-09	89-25268-09	89-25268-09	89-25268-09	89-25268-09
118	Actuator		51-25268-14	51-25268-14	51-25268-14	51-25268-14	51-25268-14	51-25268-14
119	Controller		47-25268-12	47-25268-12	47-25268-12	47-25268-12	47-25268-12	47-25268-12
120	Self Threading Screw		63-25268-01 (8)	63-25268-01 (8)	63-25268-01 (8)	63-25268-01 (8)	63-25268-01 (8)	63-25268-01 (8)
121	Machine Screw Slot Fillister		63-25268-02 (2)	63-25268-02 (2)	63-25268-02 (2)	63-25268-02 (2)	63-25268-02 (2)	63-25268-02 (2)
122	Standard Wire Harness		45-25268-23	45-25268-23	45-25268-23	45-25268-22	45-25268-22	45-25268-22
123	Optional Return Air Enthalpy Wire Harness		dna	45-25268-08	45-25268-08	dna	45-25268-08	45-25268-08
124	Sensor Mounting Bracket		89-25268-10	89-25268-10	89-25268-10	89-25268-10	89-25268-10	89-25268-10
125	Controller Mounting Feet		63-25268-03(2)	63-25268-03(2)	63-25268-03(2)	63-25268-03	63-25268-03	63-25268-03
126	Discharge Air Sensor		47-25268-24	47-25268-24	47-25268-24	47-25268-24	47-25268-24	47-25268-24
127	Sheet Metal Screw		63-25268-11(2)	63-25268-11(2)	63-25268-11(4)	63-25268-11	63-25268-11(2)	63-25268-11(4)
128	These parts replace this drawing:							
	Actuator Clevis Pin		63-25268-30 (2)	63-25268-30 (2)	63-25268-30 (2)	63-25268-30 (2)	63-25268-30 (2)	63-25268-30 (2)
	Actuator Clevis Clip		63-25268-31 (2)	63-25268-31 (2)	63-25268-31 (2)	63-25268-31 (2)	63-25268-31 (2)	63-25268-31 (2)
129	Top Seal Gray		68-25268-05	68-25268-05	68-25268-05	68-25268-05	68-25268-05	68-25268-05
130	Replacement Blade Assembly		89-25268-21 (8)	89-25268-21 (8)	89-25268-21 (8)	89-25268-20 (8)	89-25268-20 (8)	89-25268-20 (8)
	Rain Hood / Bird Screen / Filter							
	Hood		AS-59298-02	AS-59298-02	AS-59298-02	AS-59298-02	AS-59298-02	AS-59298-02
	Top		AS-59298-01	AS-59298-01	AS-59298-01	AS-59298-02	AS-59298-02	AS-59298-02
	Bottom		AE-59011-05	AE-59011-05	AE-59011-05	AE-59011-07	AE-59011-07	AE-59011-07
	Left Side (2)		AE-59011-03	AE-59011-03	AE-59011-03	AE-59011-03	AE-59011-03	AE-59011-03
	Right Side (2)		AE-59011-04	AE-59011-04	AE-59011-04	AE-59011-04	AE-59011-04	AE-59011-04
np	Filter Retainer(2)		AE-59011-06	AE-59011-06	AE-59011-06	AE-59011-06	AE-59011-06	AE-59011-06
np	Filter		54-42577-02	54-42577-02	54-42577-02	54-42577-02	54-42577-02	54-42577-02
np	Bird Screen		AS-59298-04	AS-59298-04	AS-59298-04	AS-59298-04	AS-59298-04	AS-59298-04
No.	MODEL	Note	[-]KKA- [-]KMA- A 036-072 C EARLIER VERSION	[-]KKA- [-]KMA- A 036-072 D EARLIER VERSION	[-]KKA- [-]KMA- A 036-072 Y EARLIER VERSION	[-]KKA- [-]KMA- A 036-073  CURRENT VERSION	[-]KKA- [-]KMA- A 085  CURRENT VERSION	
	POWER EXHAUST	fi	RXR- BFF02C	RXR- BFF02D	RXR- BFF02Y	RXR- BFF04C	RXR- BFF03C	
141	Power Exhaust Base (2)		AS-90847-01	AS-90847-01	AS-90847-01	Order New Exhaust through Finished Goods		
142	Motor (2):					Order New Exhaust through Finished Goods		
	1/3 HP, 208-230 V, 2 Speed		51-21853-18					
	1/3 HP, 460/380-415 V, 2 Speed			51-21853-19				
	1/3 HP, 575 V, 2 Speed				51-21853-20			
143	Capacitor - 10/370 MFD/Volts (2)	cr	43-25134-04	43-25134-04	43-25134-04	43-25263-64	43-25263-64	
144	Relay (2)	cr	42-25106-01	42-25106-01	42-25106-01	43-25263-65	43-25263-65	
145	Fan Blade (2)		70-24281-05	70-24281-05	70-24281-05	Order New Exhaust through Finished Goods		
146	Wire Harness - Connected to the Power Exhaust (2)		45-42522-57	45-42522-57	45-42522-57	45-25263-67	45-25263-67	
147	Wire Harness -Unattached in Packaging. (1)		45-42522-58	45-42522-58	45-42522-58	45-25263-68	45-25263-68	
np	Fuse (2)		44-41084-01	44-41084-01	44-41084-01	44-25263-66	44-25263-66	

<b>No.</b>	<b>MODEL</b>	<b>Note</b>	<b>[-]KKA- [-]KMA- A 036-072 (Does Not include 073)</b>	<b>[-]KKA- [-]KMA- A 036-072 (Does Not include 073)</b>				
	<b>TECHNICAL VARIATION HEATING CAPACITY</b>							

**OPTIONS AND ACCESSORIES KITS**

	<b>ECONOMIZERS:</b>							
<b>NP</b>	<b>Horizontal 3 Position</b>	<b>FINISH</b>	<b>RXRE-CCA30</b>					
<b>NP</b>	<b>Horizontal Modulating</b>	<b>FINISH</b>		<b>RXRD-CCM10</b>				
200	Relief Damper Assembly	Phone	89-25264-01	89-25264-01				
201	Top	Phone	89-25264-02	89-25264-02				
202	Control Motor	Phone	51-25264-03	51-25264-03				
203	Relay	Phone	42-25264-04	42-25264-04				
204	Logic Module	Phone	47-25264-05	47-25264-05				
205	Corner Post End	Phone	89-25264-06	89-25264-06				
206	Door Panel	Phone	89-25264-07	89-25264-07				
207	Return Corner Post	Phone	89-25264-08	89-25264-08				
208	Bottom Assembly	Phone	89-25264-09	89-25264-09				
209	Bushing	Phone	82-25264-10	82-25264-10				
210	Louver Pivot	Phone	89-25264-11	89-25264-11				
211	Enthalph Control	Phone	47-25264-12	47-25264-12				
212	Damper Blade (4)	Phone	89-25264-13	89-25264-13				
213	Duct Connection Assembly	Phone	89-25264-14	89-25264-14				
214	Mist Element	Phone	79-25264-15	79-25264-15				
215	Hood Assembly	Phone	89-25264-17	89-25264-16				
216	Damper Frame Assembly	Phone	89-25264-17	89-25264-17				
217	Side Panel	Phone	89-25264-18	89-25264-18				
<b>NP</b>	<b>3 Position</b>	<b>FINISH</b>	<b>RXRE-CBA20</b>					
<b>NP</b>	<b>Fully Modulating Enthalphy - Downflow</b>	<b>FINISH</b>		<b>RXRD-CBM10</b>				
220	Vertical Damper 2		89-25262-25	89-25262-25				
221	Damper Seal (2)		89-25262-43	89-25262-43				
222	Vertical Relief Frame (2)		89-25262-42	89-25262-42				
223	Door Panel		89-25262-26	89-25262-26				
224	Gasket - Volara		68-25262-27	68-25262-27				
225	Filter		79-25262-28	79-25262-28				
226	Hood Top Assembly		89-25262-29	89-25262-29				
227	Damper Blade Seal		89-25262-30	89-25262-30				
228	Rear Panel		89-25262-31	89-25262-31				
229	Barometric Blade		89-25262-32	89-25262-32				
230	Vertical Damper 1		89-25262-33	89-25262-33				
231	Top Damper Frame		89-25262-34	89-25262-34				
232	Enthalpy Control		47-25262-16	47-25262-16				
233	Logic Module		47-25262-23	47-25262-23				
234	Motor		51-25262-22	51-25262-22				
235	Motor Mount		89-25262-36	89-25262-36				
236	Damper Blade 1 (6)		89-25262-35	89-25262-35				
237	Bushing - .375 ID x .875 OD, (12)		82-25262-02	82-25262-02				
238	Louver Pivot (12)		89-25262-04	89-25262-04				
239	Damper Divider		89-25262-37	89-25262-37				
240	Mixed Air Sensor		47-25262-24	47-25262-24				
241	Damper Seal (Stainless)		89-25262-38	89-25262-38				
242	Bottom Damper Frame Assembly		89-25262-41	89-25262-41				
243	Rear Damper Assembly		89-25262-39	89-25262-39				
244	Economizer Base Assembly		89-25262-40	89-25262-40				
	<b>FRESH AIR DAMPER:</b>							
<b>NP</b>	<b>Fixed, 0-35%</b>	<b>Finish</b>	<b>RXRF-FBA1</b>	<b>RXRF-FBB1</b>				
	Hood Assembly	Phone	89-25265-01	89-25265-01				
	O.A. Slide (2)	Phone	89-25265-02	89-25265-02				
	Door Panel	Phone	89-25265-03	89-25265-03				
	Damper Motor	Phone	dna	51-25265-04				
	Damper Blade Seal	Phone	dna	89-25265-05				
	Damper Blade	Phone	dna	89-25265-06				

No.	MODEL	Note	[-]KKA- [-]KMA- A 036-072 (Did Not Include 073)					
	<b>TECHNICAL VARIATION HEATING CAPACITY</b>							
NP	<b>DOWNFLOW WITH POWER EXHAUST: FINISH RXRD-DB*M2</b>							<b>* = Voltage (J,C,D,N,P,Y)</b>
	<b><u>MODULATING ECONOMIZER:</u></b>							
250	Damper Blade Support Frame		89-25263-16					
251	Outside Frame Support Plate		89-25263-47					
252	Inside Frame Support Plate		89-25263-36					
253	Air Division Panel		89-25263-07					
254	Damper Blade		89-25263-13					
255	Damper Blade Pin (12)		64-25263-14					
256	Parallel Blade Damper Linkage (2)		64-25263-49					
257	Damper Blade Side Seal (2)		68-25263-15					
258	Parallel Blade Bracket (6)		64-25263-48					
259	Single Blade Bracket (3)		64-25263-52					
260	Damper Linkage Rod		64-25263-17					
261	Top / Bottom Blade Seal (2)		68-25263-55					
262	Actuator Linkage Rod		64-25263-04					
263	Actuator Support Bracket		64-25263-05					
264	Economizer Logic Module		47-25262-21					
265	Modulating Spring Return Actuator		51-25262-01					
266	End Switch		47-25263-18					
267	Heat Pump Interlock Relay		42-25263-30					
268	Actuator Crankarm		64-25263-03					
269	Linkage Ball Joint		64-25263-37					
270	Fresh Air Enthapy Sensor		47-25262-16					
271	Wiring Harness		89-25263-62					
272	Knockout Bushing		82-25263-01					
273	Supply Air Temperature Sensor		47-25263-53					
	<b><u>POWER EXHAUST:</u></b>							
274	Bottom Panel		89-25263-10					
275	Air Division Panel		89-25263-06					
276	Top Panel		89-25263-54					
277	Right Side Panel		89-25263-51					
278	Inlet Hood Top Panel		89-25263-35					
279	Inlet Hood Right Panel		89-25263-34					
280	Inlet Hood Bottom will Filter Track		89-25263-32					
281	Control Box Cover Plate		89-25263-12					
282	Control Box		89-25263-11					
283	Back Left Corner Panel		89-25263-08					
284	Front Left Corner Panel		89-25263-28					
285	Access Panel		89-25263-02					
286	Fan Discharge Panel		89-25263-25					
287	Blower Access Panel		89-25263-09					
288	Exhaust Hood Top/Screen Assembly		89-25263-23					
289	Exhaust Hood Left Side		89-25263-21					
290	Exhaust Hood Right Side		89-25263-22					
291	Upper Filter Track		89-25263-59					
292	Inlet Filter Frame		89-25263-31					
293	Low Voltage Fuse 2.5 A		44-25263-38					
NP	Fuse Block		45-25263-63					
294	Inlet Hood Left Side Panel		89-25263-33					
295	Motor Adjustment Leg (2)		64-25263-44					
296	V-Belt 3, 3 1/2 & 6 ton		70-25263-60					
297	Terminal Strip		45-25263-39					
298	Motor Adjustment Sheave		71-25263-43					
299	Motor Support Bracket		64-25263-46					
300	V-Belt 4-5 ton		70-25263-61					
301	Fan Fixed Pulley		71-25263-26					
302	Exhaust Fan		70-25263-19					
303	Fan Base Bracket Kit		89-25263-24					
304	Fan Fixed Pulley for 6 ton		71-25263-27					
305	Exhaust Gravity Back Draft Damper		89-25263-20					
306	Power Input Terminal Block		45-25263-50					
307	Ground Lug		45-25263-29					
308	Motor Contactor		42-25263-45					
309	Motor							
	J-208-230 Voltage/1 Phase/60 HZ		51-25263-40					
	C-208-230 Voltage/3 Phase/60 HZ		51-25263-41					
	D-460 Voltage/3 Phase/60 HZ		51-25263-41					
	N-380-415 Voltage/3 Phase/50 HZ		51-25263-41					
	P-200-220 Voltage/3 Phase/50 HZ		51-25263-41					
	Y-575 Voltage / 3 Phase / 60 HZ		51-25263-42					
310	Transformer:							
	208-240 Volts		46-25263-56					
	460 Volt		46-25263-57					
	575 Volt		46-25263-58					

## NOTES

Air Conditioning Division  
3900 South Zero Street  
Fort Smith, Arkansas 72908  
501.648.4786

Printed In U.S.A

October, 2002  
92-21389-85R-02