



[-][-]AH DESIGN C

Parts List
Electric Furnace/ Air Handler
Sizes 14-24



First Production Date June 2001

Published August 2001 PS

Form Number 92-21619-79-00

CATALOG TAB - Air Handler

TABLE OF CONTENTS

| | |
|-------------------------------------------------------------------------------------------------|------------|
| Notes | Page 2 |
| Model Number Explanation | Page 3 - 4 |
| Serial Number Explanation | Page 3 - 4 |
| Exploded View | Page 5 - 6 |
| Panels, Filter, Blower Group | Page 7 |
| Blower Motor, Motor Bracket Kit, Capacitor | Page 8 |
| Center Panel, Sequencing Relay, Transformer, Terminal Block, Circuit Breaker Blower Relay | Page 9 |
| Sheath Heater and Bracket, Limit Finger Stop, Jumper Bar, Watt Restrictor Defrost Control | Page 11 |

ORDERING, STOCKING AND NOTE EXPLANATIONS

Ordering Instructions:

When ordering a replacement part, be sure to read all notes and symbol notations on the parts list. In some cases, it is necessary to determine the unit style number and/or serial number in addition to the model number before selecting a replacement part. When ordering painted cabinet parts, the order **must specify** unit model number, serial number, and paint color. Also, your order can be processed more rapidly if you show the part number and description. Once the product is out of current production, ordering such parts must be cleared with the Parts Department as price and availability will vary.

Replacement Parts Stocking Information:

See the current "List Price Book For Air Conditioning Parts" for individual stock code information. As a general rule, most parts are in stock or have a short order period as long as the product is in current production. Once the product is out of current production, ordering such parts must be cleared with the Parts Department as price and availability will vary.

Note Explanation:

| | |
|------------|------------------------------------------------------------------------------------------------------------------|
| <i>np</i> | This part is not shown in exploded view. [no picture] |
| <i>cr</i> | This original part number has been cross-referenced to an equal, or better than replacement, part number. |
| <i>dna</i> | Does not apply |
| <i>fi</i> | Finished Good Accy and must order thru the National Order Center |
| <i>nw</i> | This part was new to the List Price Book when the product was introduced |
| <i>stk</i> | This part should be stocked . |
| <i>()</i> | Order quantity |

MODEL NUMBER EXPLANATION

| | | | | | | | | |
|-----------|----------|----------|----------|-----------|----------|-----------|----------|-----------|
| 14 | A | H | J | 07 | S | 01 | C | 01 |
| 1 | 2 | 3 | 4 | 5 | 6 | 7 | 8 | 9 |

Position

| | | | |
|------------|-----------------------------------------------------------------------------------------------------------------------------|----------|------------------------------------------------------------------------------------------------------------------------------------------------------------------------------------------------------|
| 1 | CABINET WIDTH 14 = 14" 17 = 17" 21 = 21" 24 = 24" | 6 | CONTROL DESIGNATION N = No Circuit Breakers/Single Supply Circuit S = Circuit Breaker(s) / Single Supply Circuit |
| 2,3 | MODEL AH = Air Handler | 7 | COIL DESIGNATION 00 = Without Coil / With Casing 01 = RCBA-2457 02 = RCBA-3765 03 = RCBA-4882 04 = RCBA-6089 05 = TCQC-3617AS01 06 = TCQC-4821AS01 07 = TCQC-6024AS01 |
| 4 | ELECTRICAL DESIGNATION A = 115V, 1 Phase, 60 HZ J = 208/230V, 1 Phase, 60HZ | 8 | DESIGN SERIES / VARIATION C = Design Series |
| 5 | ELECTRICAL HEAT DESIGNATION 00 = No Heat 06 = 4.9 kW 11 = 10 kW 14 = 14 kW 18 = 17.5 kW 21 = 21 kW | 9 | 01= WEATHERKING |

SERIAL NUMBER EXPLANATION

| | | | | | | | | |
|----------|----------|-----------|-----------|----------|----------|----------|----------|----------|
| T | M | 07 | 01 | 0 | 0 | 0 | 0 | 1 |
| 1 | 2 | 3 | 4 | 5 | 6 | 7 | 8 | 9 |

Position

| | |
|------------------|---------------------------------------------------------------------------------------------------|
| 1 | SEQUENCER MANUFACTURER T = Therm-o-disc = No Sequencer |
| 2 | PRODUCTION LOCATION M = Milledgeville, GA |
| 3 | WEEK |
| 4 | YEAR |
| 5,6,7,8,9 | PRODUCTION NUMBER Starts with 00001 and runs through 99999, then rolls back to 00001 |

MULTIFLEX COIL MODEL NUMBER EXPLANATION

| | | | | | | | | | | | |
|----------|----------|----------|----------|---|-----------|-----------|----------|----------|-----------|-----------|-----------|
| R | C | B | A | - | 24 | 57 | G | G | 14 | A | I |
| 1 | 2 | 3 | 4 | | 5 | 6 | 7 | 8 | 9 | 10 | 11 |

Position

- 1** Tradename
- 2** Coil
- 3** Type of Coil
B = Flowcheck Standard Cooling
- 4** Design Series
- 5** Nominal Capacity
 24 = 18,000 to 24,000 BTUH
 37 = 30,000 to 36,000 BTUH
 48 = 42,000 to 48,000 BTUH
 60 = 60000 BTUH
 [A capacity is dependent upon metering device and system combination. See outdoor unit instructions for specifications.]
- 6** Metering Device
** = Flowcheck Piston orifice size
- 7** Connection [Refrigeration]
G = Front

Position

- 8** Airflow
"G" Connection
 G = Upflow/Downflow
 H = Horizontal - Left
 Z = Horizontal - Right
- 9** Coil Casing
 14 = 14"
 17 = 17"
 21 = 21"
 24 = 24"
- 10** Filter/Adapter
 Blank = None
 A = Filter / Filter Rack
 B = Adapters [78 - 80% Furnace]
 X = If Unit Has Insulation
- 11** Variation
 I = Insulation

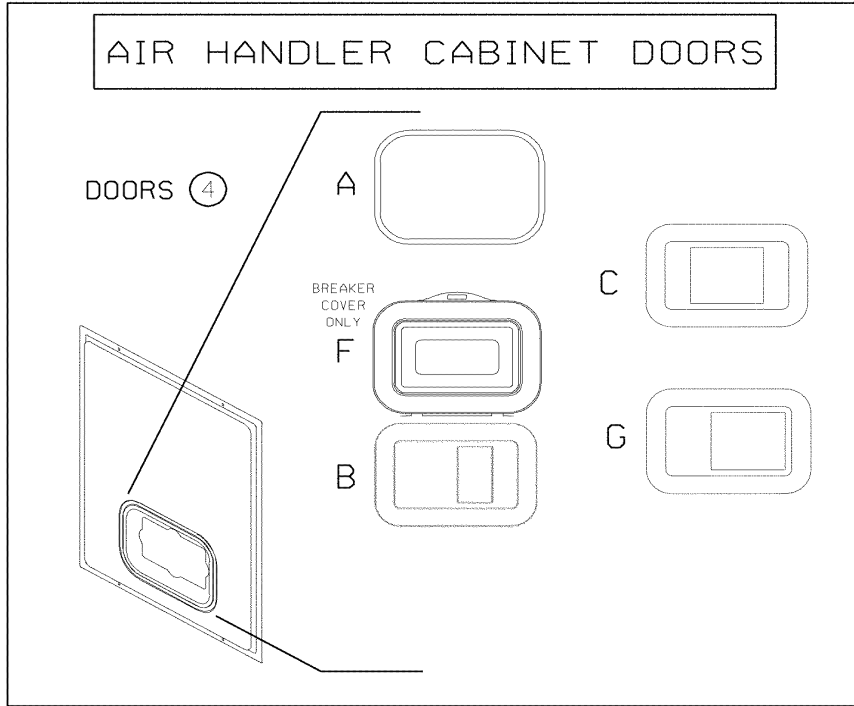
| | | | | | | | | |
|----------|----------|----------|----------|---|-----------|-----------|----------|----------|
| T | C | Q | C | - | 36 | 17 | A | S |
| 1 | 2 | 3 | 4 | | 5 | 6 | 7 | 8 |

- 1** Tradename
- 2** Coil
- 3** Type of Coil
Q = High Efficiency AC/Heat Pump with Expansion Valve
- 4** Design Series
- 5** Nominal Capacity
 24 = 18,000 to 24,000 BTUH
 37 = 30,000 TO 36,000 BTUH
 48 = 42,000 TO 48,000 BTUH
 60 = 60000 BTUH

- 6** Coil Casing
 14 = 14"
 17 = 17"
 21 = 21"
 24 = 24"
- 7** Variation
- 8** S = Sweat

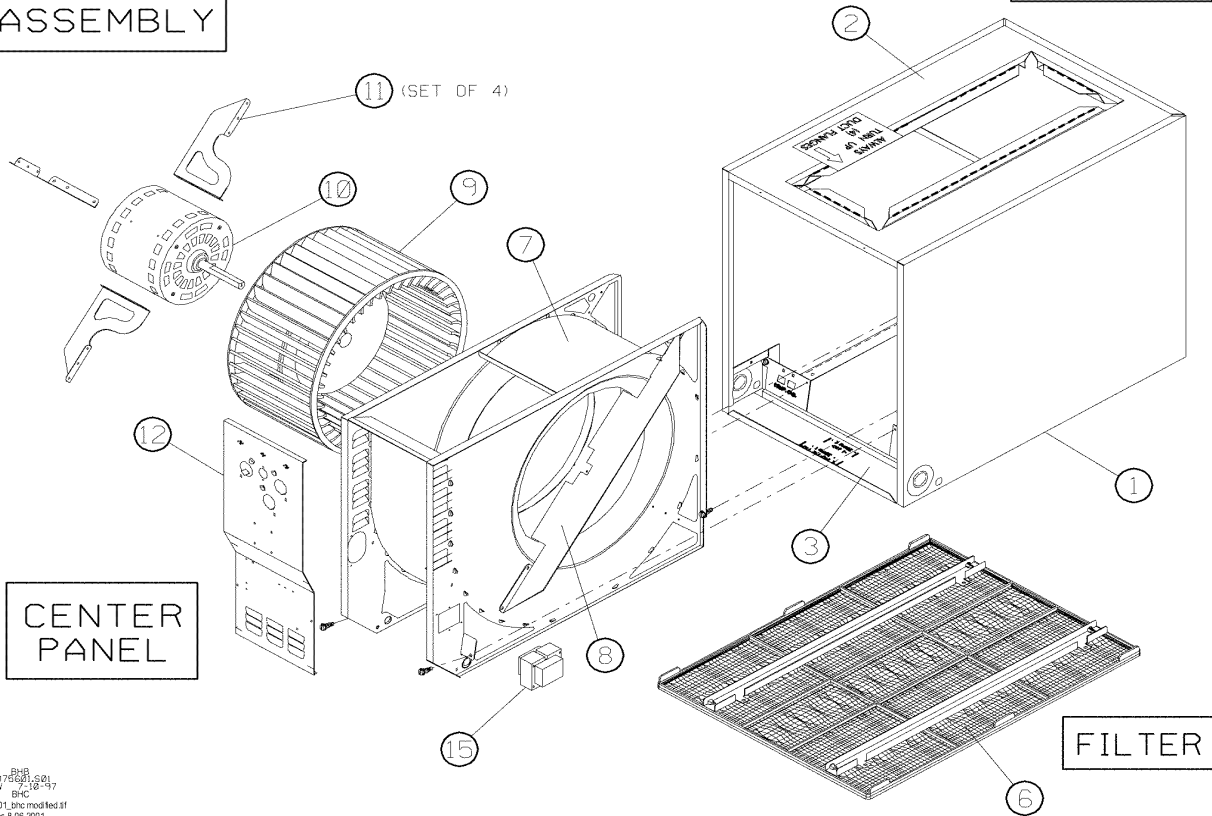
[A capacity is dependent upon metering device and system combination. See outdoor unit for specifications.]

| WK Coil Code | Cabinet Width | | | |
|--------------------|---------------|---------------|---------------|---------------|
| | 14.0" | 17.5" | 21.0" | 24.5" |
| A | None | None | None | None |
| 01 | RCBA-2457 | | | |
| 02 | | RCBA-3765 | | |
| 03 | | | RCBA-4882 | |
| 04 | | | | RCBA-6089 |
| 05 | | TCQC-3617A201 | | |
| 06 | | | TCQC-4821AS01 | |
| 07 | | | | TCQC-6024AS01 |

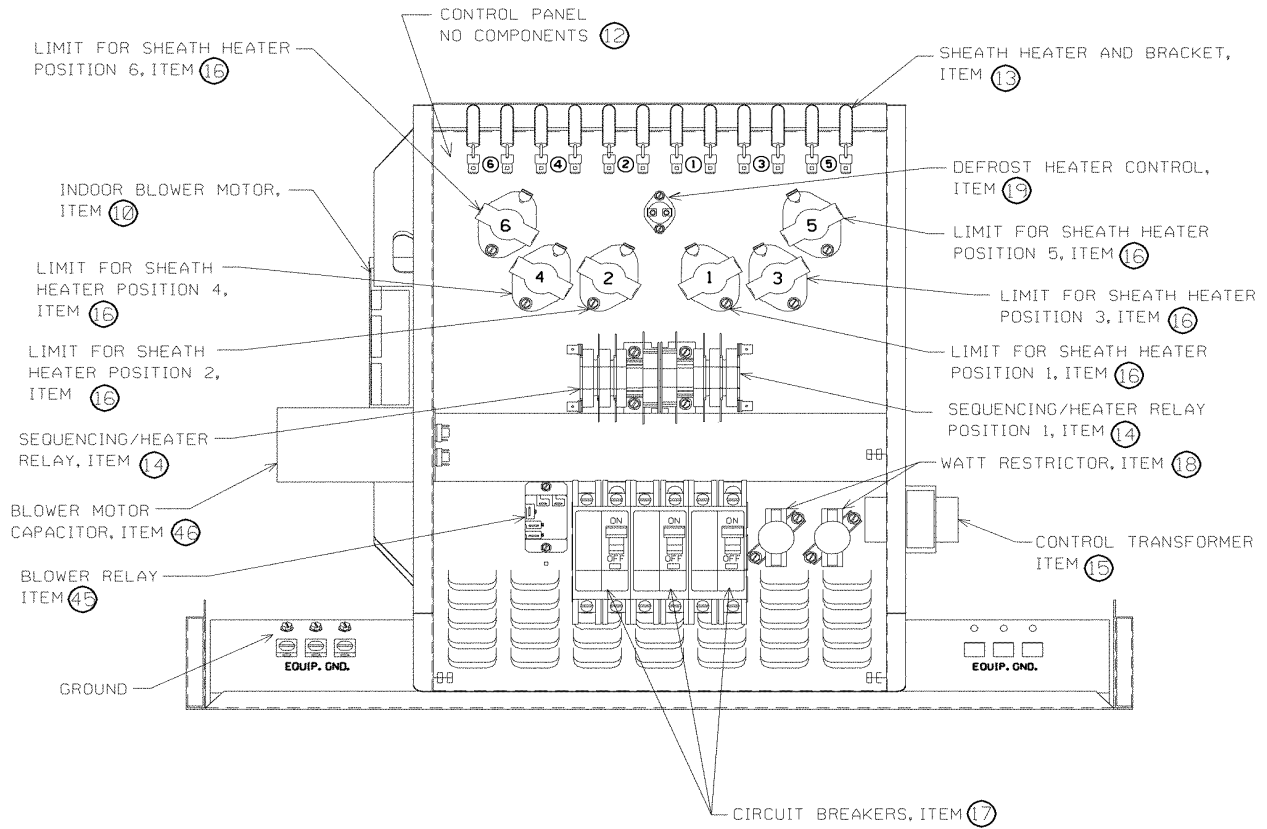


BLOWER ASSEMBLY

CABINET



Electrical Components



NOTE:
 HEATER ELEMENT IN POSITION "1" IS ASSOCIATED WITH THE LIMIT CONTROL IN POSITION "1",
 HEATER ELEMENT "2" WITH LIMIT CONTROL "2", ETC.

| | | | | | | | |
|-----|---------------|------|----|----|----|----|--|
| NO. | CABINET WIDTH | NOTE | 14 | 17 | 21 | 24 | |
| | MODEL | | AH | AH | AH | AH | |
| | DESIGN | | C | C | C | C | |

Order Quantity is in () / "?" In Place of any character

PANELS & SHEET METAL PARTS

| | | | | | | | |
|----|------------------------------------------------|--|------------------------------------------------------------------------------|--------------------------------------------|--------------------------------------------|--------------------------------------------------------|--|
| 1 | Jacket | | AS-100101-01 | AS-100101-02 | AS-100101-03 | AS-100101-04 | |
| 2 | Blower Shelf-Cover / Top Deck | | | | | | |
| | CABINET WIDTH | | | | | | |
| | 14, 17, 21, 24 | | AS-58389-01 | AS-58389-02 | AS-58389-03 | AS-58389-04 | |
| | 15, 18, 22, 26 | | AS-59452-01 | AS-59452-02 | AS-59452-03 | AS-59452-04 | |
| 3 | Bottom Channel | | AE-58381-01 | AE-58381-02 | AE-58381-03 | AE-58381-04 | |
| 4 | Blower Door Panel | | Door Panel Number (See drawing to locate the correct type of opening) | | | | |
| 4A | Solid - No opening | | <u>AE-59439-25</u> 14AHA00N | <u>AE-59440-25</u> 17AHA00N | <u>AE-59441-25</u> 21AHA00N | <u>AE-59442-25</u> 24AHA00N | |
| 4B | Single Breaker - Small Opening Right Side | | <u>AE-59439-26</u> 14AHJ??S | <u>AE-59440-26</u> 17AHJ06S 17AHJ11S | <u>AE-59441-26</u> 21AHJ11S | dna | |
| 4C | Double Breaker - Center Opening | | dna | <u>AE-59440-27</u> 17AHJ14S | dna | dna | |
| 4G | Double Breaker - Before Middle/Side Opening | | dna | dna | <u>AE-59441-27</u> 21AHJ14S 21AHJ18S | <u>AE-59442-27</u> 24AHJ11S 24AHJ18S 24AHJ21S | |
| 4F | Breaker Cover | | AE-59379-02 | AE-59379-02 | AE-59379-02 | AE-59379-02 | |
| 6 | Filter - Plastic | | AE-59375-01 | AE-59375-02 | AE-59375-03 | AE-59375-04 | |
| 7 | Blower Housing | | | | | | |
| | Electric Heat Designation | | | | | | |
| | 00 | | AS-58391-01 | AS-58391-05 | AS-58391-10 | AS-58391-16 | |
| | 06 | | AS-58391-23 | AS-58391-24 | AS-58391-25 | dna | |
| | 11 | | AS-58391-04 | AS-58391-08 | AS-58391-13 | AS-58391-19 | |
| | 14 | | dna | AS-58391-08 | AS-58391-14 | AS-58391-20 | |
| | 18 | | dna | dna | AS-58391-15 | AS-58391-21 | |
| | 21 | | dna | dna | dna | AS-58391-22 | |
| 8 | Air Straightener | | AE-58392-02 | AE-58392-02 | AE-58392-02 | AE-58392-02 | |
| 9 | Blower Wheel | | 70-23111-50 | 70-23111-51 | 70-23111-43 | 70-23111-44 | |
| np | Front Coil Support | | AE-58348-07 | AE-58348-08 | AE-58348-09 | AE-58348-10 | |
| np | Front Coil Support | | AE-58348-01 | AE-58348-02 | AE-58348-03 | AE-58348-04 | |
| np | Rear Coil Support | | AE-58349-07 | AE-58349-08 | AE-58349-09 | AE-58349-10 | |
| np | Rear Coil Support | | AE-58349-01 | AE-58349-02 | AE-58349-03 | AE-58349-04 | |
| np | Bottom Rear Support | | AE-58349-05 | AE-58349-05 | AE-58349-06 | AE-58349-06 | |

| | | | | | | | |
|-----|---------------|------|----|----|----|----|--|
| NO. | CABINET WIDTH | NOTE | 14 | 17 | 21 | 24 | |
| | MODEL | | AH | AH | AH | AH | |
| | DESIGN | | C | C | C | C | |

Order Quantity is in () / "?" In Place of any character

Blower Motor and Capacitor

| 10 | Blower Motor | | Model Sizes | Model Sizes | Model Sizes | Model Sizes | |
|----|----------------------------------------------------------|--|--------------------------------|--------------------------------|-------------|-------------|--|
| | 51-27210-01 - 1/6HP, 115V, 2 Spd, 60 HZ | | 14AHA00N | | | | |
| | 51-27210-02 - 1/4HP, 115V, 2 Spd, 60 HZ | | | 17AHA00N | | | |
| | 51-27210-03 - 1/3HP, 115V, 2 Spd, 60 HZ | | | | 21AHA00N | | |
| | 51-27210-04 - 1/2HP, 115V, 1 Spd, 60 HZ | | | | | 24AHA00N | |
| | 51-27211-01 - 1/6HP, 208-230V, 2 Spd, 60/50 HZ | | 14AH??? Except 14AHA00N | dna | dna | dna | |
| | 51-27211-02 - 1/4HP, 208-230V, 2 Spd, 60/50 HZ | | dna | 17AHJ??? Except 17AHA00N | dna | dna | |
| | 51-27211-03 - 1/3HP, 208-230V, 2 Spd, 60/50 HZ | | dna | dna | 21AHJ??? | dna | |
| | 51-27211-04 - 1/2HP, 208-230V, 2 Spd, 60/50 HZ | | dna | dna | dna | 24AHJ??? | |
| 11 | Motor Mounting Bracket Kit | | AE-58384-81 | AE-58384-81 | AE-58384-81 | AE-58384-81 | |
| 46 | Blower Motor Capacitor | | | | | | |
| | 43-20847-09 - 10 MFD/ 370 Volts | | 14AHA00N | 17AHJ??? Except 17AHA00N | dna | dna | |
| | 43-20847-10 - 7.5 MFD/ 370Volts | | 14AHJ??? Except 14AHA00N | dna | dna | dna | |
| | 43-20847-17 - 15 MFD/ 370 Volts | | dna | 17A00N | 21AHJ??? | dna | |
| | 43-20847-41 - 15 MFD/ 370 Volts | | dna | dna | dna | dna | |
| | 43-20847-42 - 20 MFD/ 370 Volts | | dna | dna | 21AHA00N | 24AHA00N | |
| | 43-20847-47 - 25 MFD/370 Volts | | dna | dna | dna | 24AHJ??? | |

| NO. | CABINET WIDTH | NOTE | 14 | 17 | 21 | 24 | |
|-----|---------------|------|----|----|----|----|--|
| | MODEL | | AH | AH | AH | AH | |
| | DESIGN | | C | C | C | C | |

Order Quantity is in () / "?" In Place of any character

Center Panel, Transformer, Blower Relay

| | | | | | | | |
|----|--------------------------------------------------------------------------|--|-------------------------------------------------|-------------------------------------------------------------|------------------------------------------------------------------------|------------------------------------------------------------|--|
| 12 | Center Panel - Select By Model | | | | | | |
| | See specific models listed to the right. | | <u>AE-58385-02</u> 14AHA00N | <u>AE-58385-07</u> 17AHA00N | <u>AE-58385-14</u> 21AHA00N | <u>AE-58385-24</u> 24AHA00N | |
| | See specific models listed to the right. | | <u>AE-58385-04</u> 14AHJ??S | dna | <u>AE-58385-16</u> 21AHJ11S, | dna | |
| | See specific models listed to the right. | | dna | <u>AE-58385-08</u> 17AHJ06S | dna | dna | |
| | See specific models listed to the right. | | dna | <u>AE-58385-09</u> 17AHJ11S 17AHJ14S | <u>AE-58385-18</u> 21AHJ14S 21AHJ19S | <u>AE-58385-25</u> 24AHJ11S | |
| | See specific models listed to the right. | | dna | dna | dna | <u>AE-58385-26</u> 24AHJ18S 24AHJ21S | |
| 14 | Sequencing / Heat Relay - <u>Listed in position order - See drawing.</u> | | | | | | |
| | Electric Heat Designation | | | | | | |
| | 00 | | dna | dna | dna | dna | |
| | 06 | | 42-23116-06 | 42-23116-06 | 42-23116-06 | dna | |
| | 11 | | 42-23116-06 42-23116-08 | 42-23116-06 42-23116-08 | 42-23116-06 42-23116-08 | 42-23116-06 42-23116-08 | |
| | 14 | | dna | 42-23116-07 42-23116-08 | 42-23116-07 42-23116-08 | 42-23116-07 42-23116-08 | |
| | 18 | | dna | dna | 42-23116-07 42-23116-09 | 42-23116-07 42-23116-09 | |
| | 21 | | dna | dna | dna | 42-23116-07 42-23116-09 | |
| 15 | Transformer - | | | | | | |
| | See specific models listed to the right. | | <u>46-23115-01</u> 14AHA00N | <u>46-23115-01</u> 17AHA00N | <u>46-23115-01</u> 21AHA00N | <u>46-23115-01</u> 24AHA00N | |
| | All Other Models | | 46-23115-02 | 46-23115-02 | 46-23115-02 | 46-23115-02 | |
| np | Terminal Block | | | | | | |
| | No Terminal Block | | <u>No Terminal Blk</u> 14AHJ06S, 14AHJ11S | <u>No Terminal Blk</u> 17AHJ06S, 17AHJ11S 17AHJ14S | <u>No Terminal Blk</u> 21AHJ06S 21AHJ11S 21AHJ14S 21AHJ18S | <u>No Terminal Blk</u> 24AHJ11S 24AHJ18S 24AHJ21S | |
| | 45-23222-01 | | 14AHA00N | 17AHA00N | dna | dna | |
| | 45-23222-02 | | dna | | 21AHA00N, | 24AHA00N | |
| 17 | Circuit Breaker | | | | | | |
| | Electric Heat Designation | | | | | | |
| | 00 | | dna | dna | dna | dna | |
| | 06 | | 42-23201-01 | 42-23201-01 | 42-23201-01 | dna | |
| | 11 | | 42-23201-01 | 42-23201-01 | 42-23201-01 | 42-23201-01 | |
| | 14 | | dna | 42-23201-01 (2) | 42-23201-01 | 42-23201-01 (2) | |
| | 18 | | dna | dna | 42-23201-01 (2) | 42-23201-01 (2) | |
| | 21 | | dna | dna | dna | 42-23201-01 (2) | |
| 45 | Blower Relay | | 42-21571-01 | 42-21571-01 | 42-21571-01 | 42-21571-01 | |

| | | | | | | | |
|-----|---------------|------|----|----|----|----|--|
| NO. | CABINET WIDTH | NOTE | 14 | 17 | 21 | 24 | |
| | MODEL | | AH | AH | AH | AH | |
| | DESIGN | | C | C | C | C | |

Order Quantity is in () / "?" In Place of any character

ELECTRIC ELEMENTS AND LIMIT CONTROL

| | | | | | | | |
|------|-------------------------------------|------------------------------------------------|-------------------------------------------|-------------------------------------------|----------------------------------------------------------|----------------------------------------------------------|--|
| 13 | Sheath Heater and Bracket | | | | | | |
| | Voltage / Electric Heat Designation | | | | | | |
| | A00 | | dna | dna | dna | dna | |
| | J06 | cr | AS-58386-91(2) | AS-58386-91(2) | AS-58386-91(2) | dna | |
| | J11 | | AS-58386-92 (3) | AS-58386-92 (3) | AS-58386-92 (3) | AS-58386-92 (3) | |
| | J14 | | dna | AS-58386-92 (3) | AS-58386-92 (4) | AS-58386-92 (3) | |
| | J18 | | dna | dna | AS-58386-92 (5) | AS-58386-92(4) AS-58386-91(1) | |
| J21 | | dna | dna | dna | AS-58386-92 (6) | | |
| 16 | Limit for Sheath Heater - | Listed in position order - See drawing. | | | | | |
| | Voltage / Electric Heat Designation | | | | | | |
| | A00 | | dna | dna | dna | dna | |
| | J06 | | 47-23113-02 | 47-23113-03 | 47-23113-02 | dna | |
| | J11 | | 47-23113-01 47-23113-02 47-23113-02 | 47-23113-03 47-23113-02 47-23113-04 | 47-23113-01 47-23113-05 47-23113-05 | 47-23113-01 47-23113-02 47-23113-05 | |
| | J14 | | dna | 47-23113-03 47-23113-02 47-23113-04 | 47-23113-01 47-23113-05 47-23113-05 47-23113-04 | 47-23113-01 47-23113-02 47-23113-05 | |
| | J18 | | dna | dna | 47-23113-01 47-23113-05 47-23113-05 47-23113-04 | 47-23113-01 47-23113-02 47-23113-05 47-23113-06 | |
| J21 | | dna | dna | dna | 47-23113-01 47-23113-02 47-23113-05 47-23113-06 | | |
| np | Finger Stop | | | | | | |
| | Voltage / Electric Heat Designation | | | | | | |
| | A00 | | dna | dna | dna | dna | |
| | J06S | | 45-23203-01 (2) | 45-23203-01 (1) | 45-23203-01 (2) | dna | |
| | J11S | | dna | 45-23203-01 (1) | 45-23203-01 (2) | 45-23203-01 (2) | |
| J14S | | dna | dna | 45-23203-01 (2) | dna | | |
| np | Jumper Bar 4 - pole | | | | | | |
| | Electric Heat Designation | | | | | | |
| | 14 | | dna | 45-23202-01 (1) | dna | 45-23202-01 (1) | |
| | 18 | | dna | dna | 45-23202-01 (1) | 45-23202-01 (1) | |
| 21 | | dna | dna | dna | 45-23202-01 (1) | | |
| 18 | Watt Restrictors | For Heat Pump Addition | | | | | |
| | 47-23117-01 | | 14AHJ11S | 17AHJ14S | dna | dna | |
| | 47-23117-02 | | dna | dna | 21AHJ18S | 24AHJ14S, 24AHJ18S, 24AHJ21S | |
| 19 | Defrost Heater Control | | 47-23118-01 | 47-23118-01 | 47-23118-01 | 47-23118-01 | |

Air Conditioning Division
3900 South Zero Street
Fort Smith, Arkansas 72908
501.648.4786