



REPLACEMENT PARTS LIST
[-]GPK Two Stage 80%
Upflow/Horizontal Gas Furnace
Series K **Sizes 07E-15E**





Order Of Contents			
Model and Serial Number Explanation	Page 3	Heat Exchange/Burner Group	Page 8
Exploded View Drawing	Page 4	Gas Control Group - EX	Page 9
Panels and Sheet Metal Group	Page 5	Miscellaneous -Tubing / Wiring Assy	Page 10
Electric Group	Page 6	Miscellaneous - Filter Components	Page 11
Blower Group	Page 7		

ORDERING, STOCKING AND NOTE EXPLANATIONS

Ordering Instructions:

When ordering a replacement part, be sure to read all notes and symbol notations on the parts list. In some cases, it is necessary to determine the unit style number and/or serial number in addition to the model number before selecting a replacement part. When ordering painted cabinet parts, the order **must specify** unit model number, serial number and paint color. Also, your order can be processed more rapidly if you show the part number and description. Once the product is out of current production, ordering such parts must be cleared with the Parts Department as price and availability will vary.

Replacement Parts Stocking Information:

See the current "List Price Book For Air Conditioning Parts" for individual Stock code information. As a general rule, most parts are in stock or have a short order period as long as the product is in current production. Once the product is out of current production, ordering such parts must be cleared with the Parts Department as price and availability will vary.

Note Explanation:

- NP This part is not shown on the pictorial page [**no picture**].
- CR This original part number has been "**cross-referenced**" to an equal to or better than replacement part number.

- new This part was **new** to the List Price Book when the product was introduced.
- stock or stk This part should be **stocked**.

- 1 These parts are to be used only as repair parts for units which have been converted to LP (Propane) gas by the appropriate conversion kit.

AIR CONDITIONING DIVISION
UNIVERSAL PARTS®
P.O. Box 17010
FORT SMITH, ARKANSAS 72917-7010
501-646-4311



GAS FURNACE MODEL NUMBER EXPLANATION

[-] G P K - 07E A M G R OPT277
1 2 3 4 5 6 7 8 9 10

Position

- 1 Tradename
- 2 G = Gas Furnace
- 3 P = Upflow / Horizontal Multi-Positional
- 4 Design Series

5 Heating Capacity (Input)

Hot Surface

<u>Ignition</u>	<u>Input BTU/HR</u>
05E	50,000
07E	75,000
10E	100,000
12E	125,000
15E	150,000

Position

6 Variations -

- A = Standard
- B = Wide Cabinet

7 Blower Designation -

- U = 11 x 6 DU
- M = 11 x 7 DU
- R = 11 x 10 DU

8

Heating & Cooling Designation -

- E = 1100 - 1300 CFM
- G = 1500 - 1700 CFM
- J = 1900 - 2100 CFM

9

Fuel Designation -

- A = Canadian Furnace - Natural Gas
- R = U.S. Furnace - Natural Gas

10

Option Codes

SERIAL NUMBER EXPANATION

EX 5 D 7 0 7 F 35 97 99999
A B C D E F G H I J

Position

- A Type Of Gas Control Used On Unit:**
 EX) White Rodger 36E99-201 /
 United Technologies 1095-100
 with PSE Spark Ignitor

B Limit Control:

- 1 - Watsco Limit Control
- 5 - T.O.D. Limit Control

C Blower - D = Direct Drive

D Heating Element - 7 = Stainless Steel

Position

- E Special Area Requirement -**
 0 = No Area Requirement

F Motor Horsepower:

- 2 - 1/2 HP Motor
- 7 - 3/4 HP Motor

G Plant - F = Fort Smith, AR

H Week

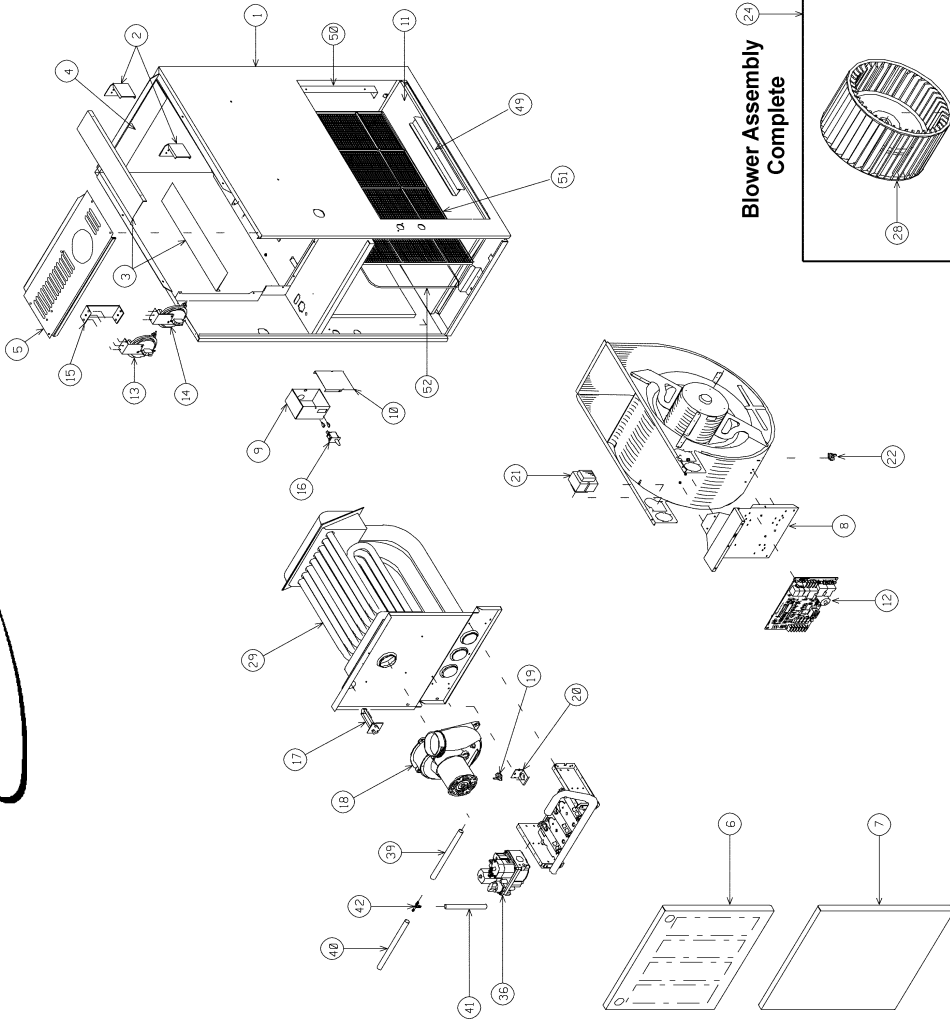
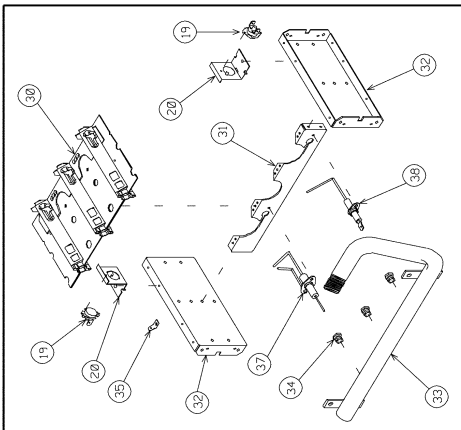
I Year

J Production Number:

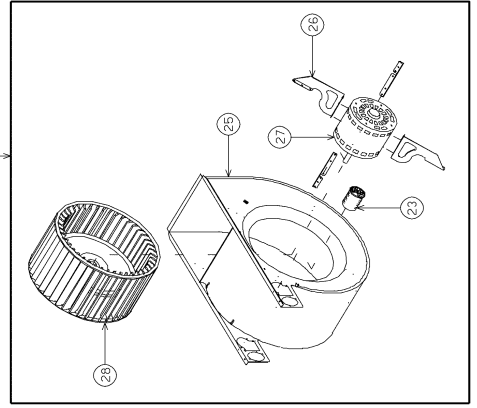
Starts with 00001 & runs through 99999, then starts with 00001 again.



Burner Assembly

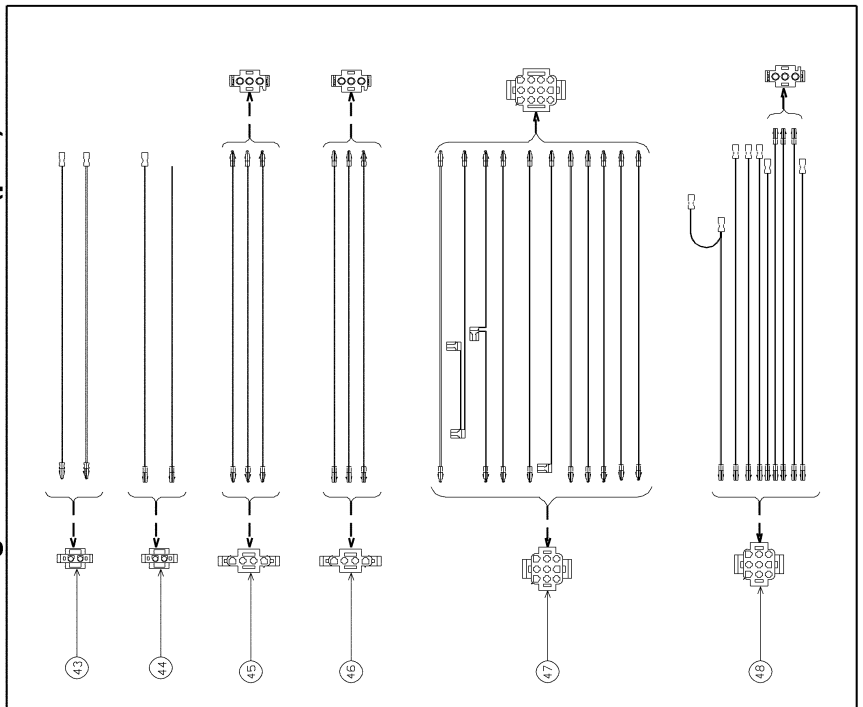


Blower Assembly Complete

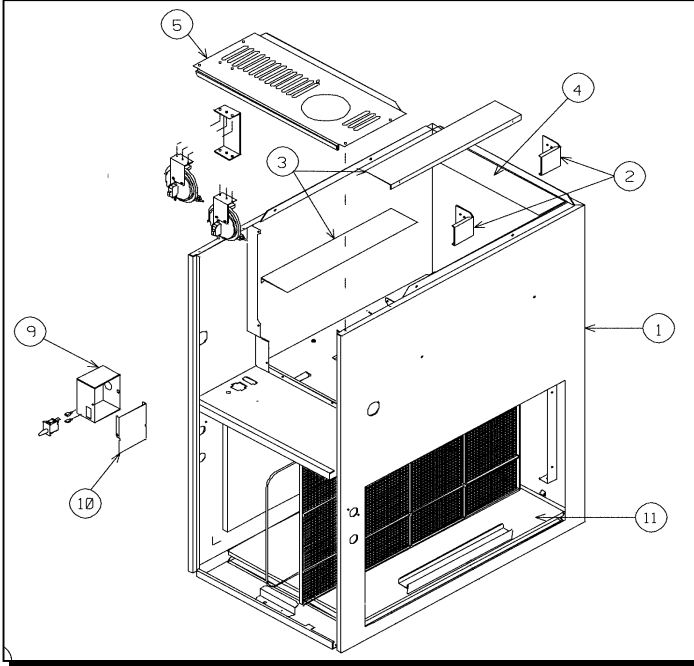


**[I]GPK Two Stage 80%
Upflow/Horizontal
Gas Furnace**

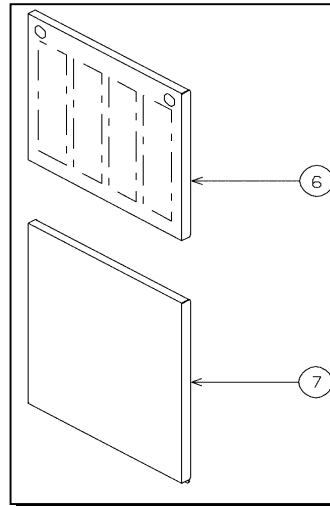
Wiring Harness Information (p10)



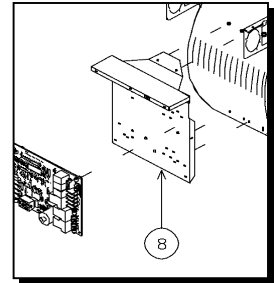
Jacket and Panels



Door Panels



Mounting / Control Box



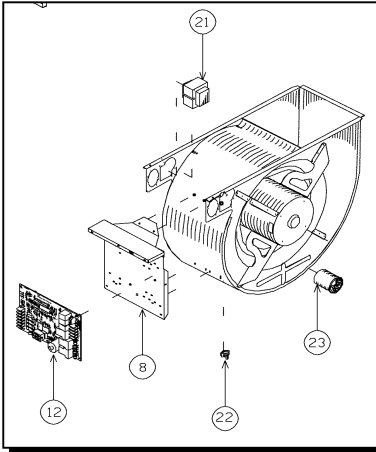
N	MODEL	N	[-]GPK	[-]GPK	[-]GPK	[-]GPK	[-]GPK	[-]GPK	[-]GPK
O.	HEAT CAPACITY INPUT	O	-05	-07	-07	-10	-10	-12	15
	VARIATIONS	T	A	A	A	A	B	A	A
	BLOWER DESIGNATION	E	U	M	U	M	R	R	R

Quantities Used On The Unit Are Listed In ().

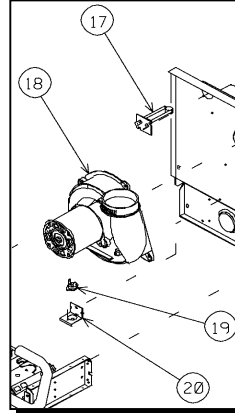
Panels and Sheet Metal Parts										
1	Jacket	new	AS-61690-21	AS-61690-22	AS-61690-23	AS-61690-22	AS-61690-24	AS-61690-25	AS-61690-25	
2	Heat Exchanger Brackets(2)		AE-67846-02	AE-67846-02	AE-67846-02	AE-67846-02	AE-67846-02	AE-67846-02	AE-67846-02	
Baffles:										
3	Side (2)	new	AE-61606-01	AE-61606-01	AE-61606-01	Not Required	AE-61668-01	AE-61665-01	Not Required	
4	Rear	new	AE-61666-01	AE-61607-01	AE-61607-01	AE-61607-01	AE-61667-01	AE-61670-01	AE-61669-01	
5	Top Plate		AE-61657-01	AE-61657-02	AE-61657-02	AE-61657-02	AE-61657-03	AE-61657-04	AE-61657-04	
6	Control Compartment Door Without Plug Buttons		AE-61675-01	AE-61676-01	AE-61676-01	AE-61676-01	AE-61677-01	AE-61678-01	AE-61678-01	
NP	Plug Buttons (2 required)		45-22980-01	45-22980-01	45-22980-01	45-22980-01	45-22980-01	45-22090-01	45-22980-01	
7	Blower Door/Filter Door		AE-61679-01	AE-61680-01	AE-61680-01	AE-61680-01	AE-61681-01	AE-61682-01	AE-61682-01	
8	Mounting Plate/Control Box Less Components	new	AS-61969-01	AS-61969-01	AS-61969-01	AS-61969-01	AS-61969-01	AS-61969-01	AS-61969-01	
9	Junction Box		AE-61475-02	AE-61475-02	AE-61475-02	AE-61475-02	AE-61475-02	AE-61475-02	AE-61475-02	
10	Junction Cover		AE-61476-02	AE-61476-02	AE-61476-02	AE-61476-02	AE-61476-02	AE-61476-02	AE-61476-02	
11	Solid Bottom - See Options		See Options listed in the Accessory / Option Group							



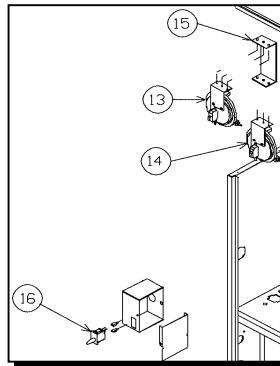
**Control Board,
Blower Capacitor
Auxiliary Limit And
Transformer**



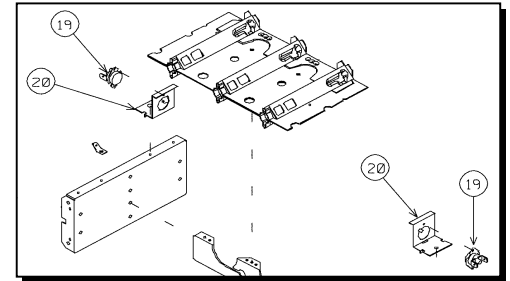
**Induced Draft Blower Motor
Main Limit And
Overtemperature Switch**



Switches



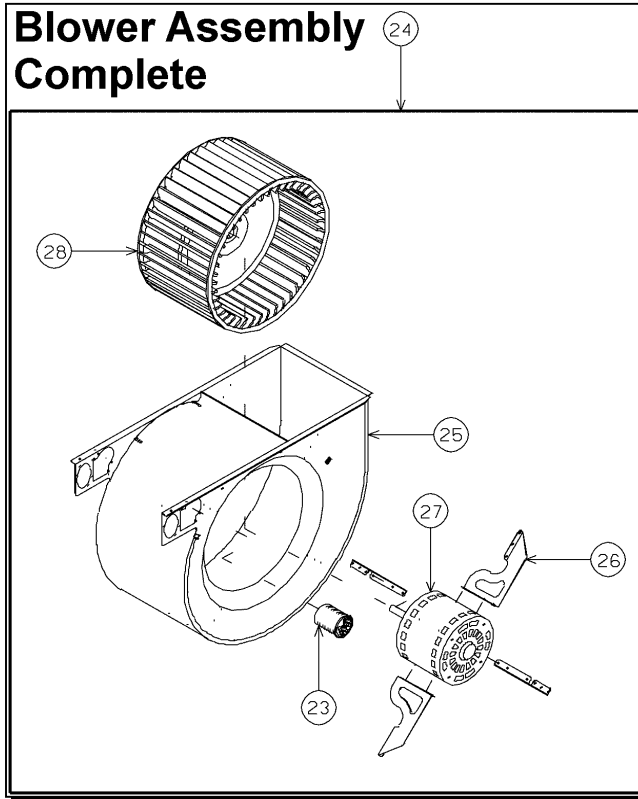
**Burner Overtemperature
Switches**



N	MODEL	N	[-]GPK	[-]GPK	[-]GPK	[-]GPK	[-]GPK	[-]GPK	[-]GPK
O.	HEAT CAPACITY INPUT VARIATIONS	O	-05[-]	-07[-]	-07[-]	-10[-]	-10[-]	-12[-]	15[-]
	BLOWER DESIGNATION	T	A	A	A	A	B	A	A
		E	U	M	U	M	R	R	R

Quantities Used On The Unit Are Listed In ().

ELECTRIC GROUP									
12	Integrated Furnace Control - Two Stage Direct Spark Ignitor Serial Code EX - Utec model #1095-100	stk	62-24320-01	62-24320-01	62-24320-01	62-24320-01	62-24320-01	62-24320-01	62-24320-01
13	High Pressure Switch	new	42-23648-02	42-23648-03	42-23648-03	42-23648-03	42-23648-03	42-23648-02	42-23648-02
14	Low Pressure Switch	stk	42-23648-06	42-23648-06	42-23648-06	42-23648-06	42-23648-06	42-23648-08	42-23648-08
15	Pressure Switch Bracket		AE-61981-01	AE-61981-01	AE-61981-01	AE-61981-01	AE-61981-01	AE-61981-01	AE-61981-01
16	Door Switch/Push Button	stk	42-22692-01	42-22692-01	42-22692-01	42-22692-01	42-22692-01	42-22692-01	42-22692-01
17	Main Limit - Includes gasket	stk	47-22679-03	47-22679-01	47-22679-02	47-22679-02	47-22679-01	47-22679-03	47-22679-03
18	Induced Draft Blower Motor - With Gasket	new	70-24324-01	70-24324-01	70-24324-01	70-24324-01	70-24324-01	70-24324-01	70-24324-01
NP	Induced Draft Blower Gasket		68-22850-01	68-22850-01	68-22850-01	68-22850-01	68-22850-01	68-22850-01	68-22850-01
19	Overtemperature Switch - Manual Reset Limit: On Center Panel (1) On Burner Brackets (2)	stk	47-22861-01	47-22861-01	47-22861-01	47-22861-01	47-22861-01	47-22861-01	47-22861-01
20	Overtemperature Switch Bracket		AE-61600-02	AE-61600-02	AE-61600-02	AE-61600-02	AE-61600-02	AE-61600-02	AE-61600-02
21	Transformer	stk	46-22863-02	46-22863-02	46-22863-02	46-22863-02	46-22863-02	46-22863-02	46-22863-02
22	Auxiliary Limit - Limit Control With Heater	stk	47-22860-06	47-22860-06	47-22860-06	47-22860-06	47-22860-06	47-22860-06	47-22860-06
23	Blower Motor Capacitor		SEE BLOWER GROUP FOR BLOWER MOTOR CAPACITOR						

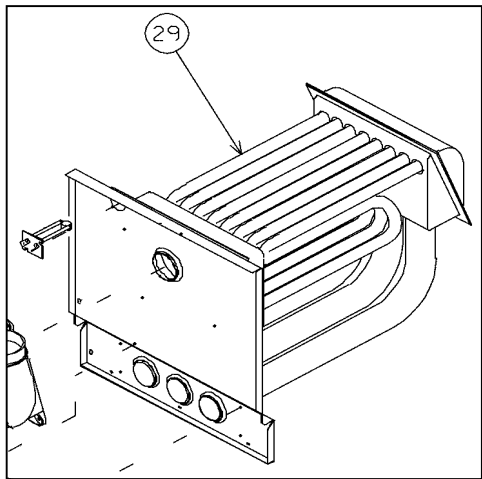


N MODEL	N	[-]GPK	[-]GPK	[-]GPK	[-]GPK	[-]GPK	[-]GPK	[-]GPK
O. HEAT CAPACITY INPUT VARIATIONS	O	-05[-]	-07[-]	-07[-]	-10[-]	-10[-]	-12[-]	15[-]
BLOWER DESIGNATION	E	A	A	A	A	B	A	A
		U	M	U	M	R	R	R

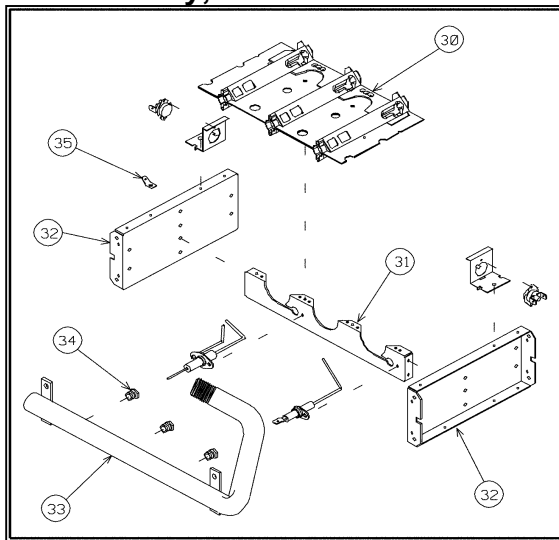
Quantities Used On The Unit Are Listed In ().

BLOWER GROUP									
24	Blower Assembly Includes:	new	AS-61697-46	AS-61697-55	AS-61697-48	AS-61697-50	AS-61697-52	AS-61697-52	AS-61697-52
25	Housing	new	AS-61674-19	AS-61674-21	AS-61674-20	AS-61674-21	AS-61674-22	AS-61674-22	AS-61674-22
26	Motor Mtg. Legs (4 Req.)	stk	AE-61698-02	AE-61698-02	AE-61698-02	AE-61698-02	AE-61698-02	AE-61698-02	AE-61698-02
	Motor Mtg. Leg Screws (8 Req.)	stk	63-22338-03	63-22338-03	63-22338-03	63-22338-03	63-22338-03	63-22338-03	63-22338-03
27	Motor:								
	1/2 HP, 115V, 4 Speed	stk	51-24070-01		51-24070-02	51-24070-02			
	3/4 HP, 115V, 3 Speed	cr, stk		51-23017-42			51-23017-42	51-23017-42	51-23017-42
28	Blower Wheel:								
	11x6, CW, 1/2" Bore	stk	70-22683-01		70-22683-01				
	11x7, CW, 1/2" Bore	cr, stk		70-23111-05		70-23111-05			
	11x10, CW, 1/2" Bore	stk					70-20602-01	70-20602-01	70-20602-01
23	Motor Capacitor	cr,stk	43- 21298-45	43- 21298-45	43-21298-42	43-21298-42	43- 21298-45	43- 21298-45	43- 21298-45

Heat Exchanger Assembly



Burner Tray, Manifold And Orifices

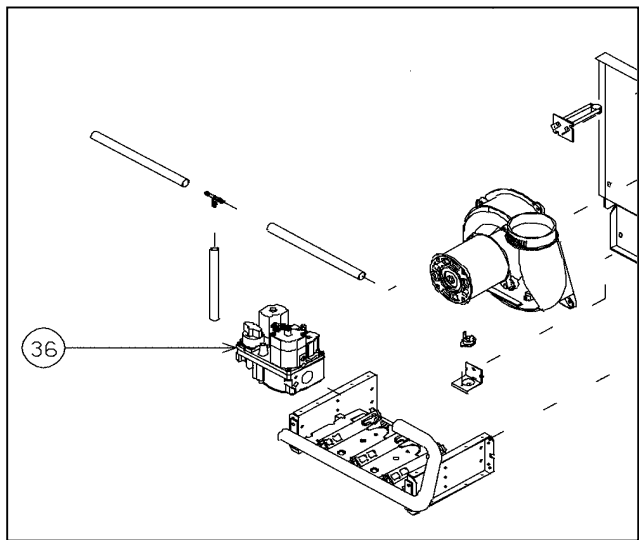


N MODEL	N	[-]GPK	[-]GPK	[-]GPK	[-]GPK	[-]GPK	[-]GPK	[-]GPK
O. HEAT CAPACITY INPUT	O	-05[-]	-07[-]	-07[-]	-10[-]	-10[-]	-12[-]	15[-]
VARIATIONS	T	A	A	A	A	B	A	A
BLOWER DESIGNATION	E	U	M	U	M	R	R	R

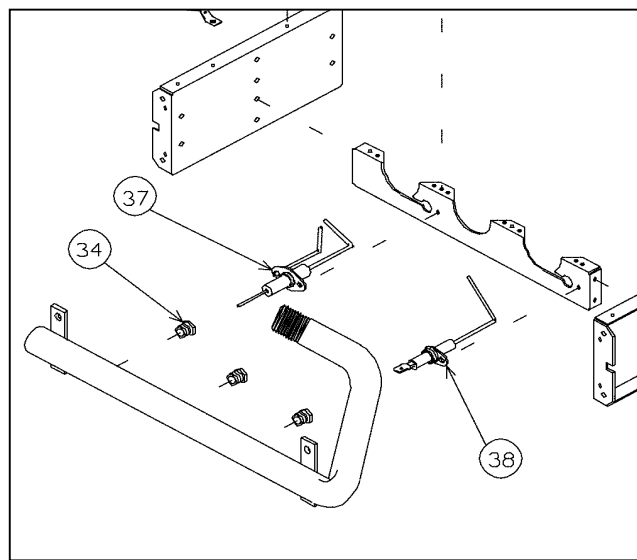
Quantities Used On The Unit Are Listed In ().

HEAT EXCHANGER / BURNER / MANIFOLD GROUP									
29	Heat Exchanger Assembly	new	AS-61579-09	AS-61579-02	AS-61579-09	AS-61579-07	AS-61579-04	AS-61579-05	AS-61579-06
30	Burner Tube Assembly	new	AS-60993-02	AS-60993-03	AS-60993-03	AS-60993-04	AS-60993-04	AS-60993-05	AS-60993-06
31	Burner Support	new	AE-60997-01	AE-60997-02	AE-60997-02	AE-60997-03	AE-60997-03	AE-60997-04	AE-60997-05
32	Burner Support Bracket (2)	new	AE-61588-02	AE-61588-02	AE-61588-02	AE-61588-02	AE-61588-02	AE-61588-02	AE-61588-02
33	Manifold Without Orifices		AS-61663-01	AS-61663-02	AS-61663-02	AS-61663-03	AS-61663-03	AS-61663-04	AS-61663-05
34	Orifice Spud	cr	62-22175-42 (2)	62-22175-42 (3)	62-22175-42 (3)	62-22175-42 (4)	62-22175-42 (4)	62-22175-42 (5)	62-22175-42 (6)
35	Terminal Grounding	new	45-24315-01	45-24315-01	45-24315-01	45-24315-01	45-24315-01	45-24315-01	45-24315-01

Gas Valve



Ignitor, Remote Sense And Orifices



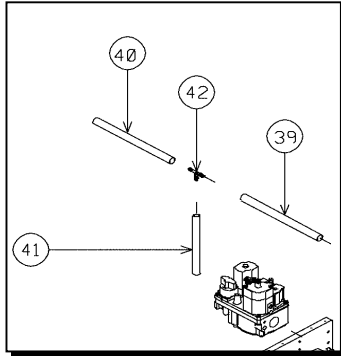
Parts needs to verify orifices.

N MODEL	N	[-]GPK	[-]GPK	[-]GPK	[-]GPK	[-]GPK	[-]GPK	[-]GPK
O. HEAT CAPACITY INPUT	O	-05[-]	-07[-]	-07[-]	-10[-]	-10[-]	-12[-]	15[-]
VARIATIONS	T	A	A	A	A	B	A	A
BLOWER DESIGNATION	E	U	M	U	M	R	R	R

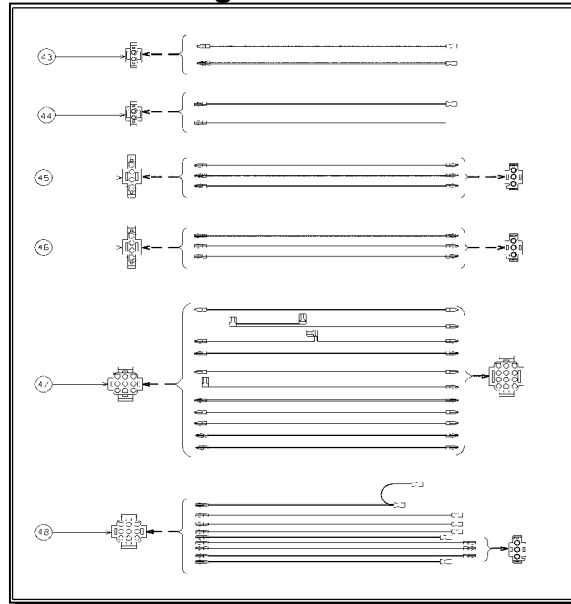
Quantities Used On The Unit Are Listed In ().

WHITE RODGERS GAS CONTROLS - SERIAL CONTROL CODE - EX								
36	Gas Valve (W-R #36E99-201) Natural	new	60-23490-08	60-23490-08	60-23490-08	60-23490-08	60-23490-08	60-23490-08
37	Ignitor/Dir. Spark	stk	62-24313-01	62-24313-01	62-24313-01	62-24313-01	62-24313-01	62-24313-01
38	Remote Sensor	stk	62-23543-03	62-23543-03	62-23543-03	62-23543-03	62-23543-03	62-23543-03
LP / PROPANE CONVERSION KIT								
	U.S. Models	stk	FP-09	FP-09	FP-09	FP-09	FP-09	FP-09
36	Gas Valve - Propane - White-Rodges 2 Stage	1	60-23490-07	60-23490-07	60-23490-07	60-23490-07	60-23490-07	60-23490-07
34	Burner Orifice - LP	1	62-22175-54 (2)	62-22175-54 (3)	62-22175-54 (3)	62-22175-54 (4)	62-22175-54 (5)	62-22175-54 (6)
	Canadian Models - 0-4500' Elevation	new	FP-10	FP-10	FP-10	FP-10	FP-10	FP-10
36	Gas Valve - Propane - White-Rodges 2 Stage	1	60-23490-07	60-23490-07	60-23490-07	60-23490-07	60-23490-07	60-23490-07
34	Burner Orifice - Propane							
	0-1999' Elevation	1	62-22175-54 (2)	62-22175-54 (3)	62-22175-54 (3)	62-22175-54 (4)	62-22175-54 (5)	62-22175-54 (6)
	2000 - 4500' Elevation	1	62-22175-55 (2)	62-22175-55 (3)	62-22175-55 (3)	62-22175-55 (4)	62-22175-55 (5)	62-22175-55 (6)

Tubing



Wiring Assemblies



N O.	MODEL HEAT CAPACITY INPUT VARIATIONS BLOWER DESIGNATION	N O T E	[-]GPK -05[-] A U	[-]GPK -07[-] A M	[-]GPK -07[-] A U	[-]GPK -10[-] A M	[-]GPK -10[-] B R	[-]GPK -12[-] A R	[-]GPK 15[-] A R
------	---	---------	-------------------	-------------------	-------------------	-------------------	-------------------	-------------------	------------------

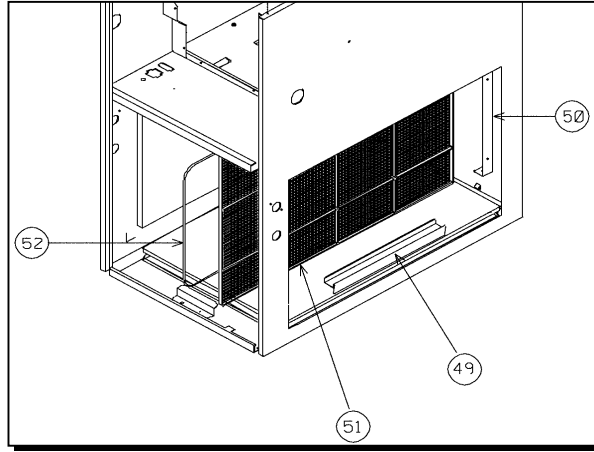
Quantities Used On The Unit Are Listed In ().

MISCELLANEOUS - TUBING AND WIRING ASSEMBLIES

Silicone Rubber Tubing:									
39	From Induced Draft Blower to Tee Barbed.	CR	79-21491-83	79-21491-83	79-21491-83	79-21491-83	79-21491-83	79-21491-83	79-21491-83
40	From Tee Barbed to High Pressure Switch	CR	79-21491-83	79-21491-83	79-21491-83	79-21491-83	79-21491-83	79-21491-83	79-21491-83
41	From Tee Barbed to Low Pressure Switch	CR	79-21491-83	79-21491-83	79-21491-83	79-21491-83	79-21491-83	79-21491-83	79-21491-83
42	Tee Barbed	new	79-22461-02	79-22461-02	79-22461-02	79-22461-02	79-22461-02	79-22461-02	79-22461-02
Wiring Assemblies - See Picture To Match Assembly (Descriptions were written using the wiring diagram.)									
43	From 2 Pin Connector P-6 To Neutral & L1 On Control Board	new	AS-61997-13	AS-61997-13	AS-61997-13	AS-61997-13	AS-61997-13	AS-61997-13	AS-61997-13
44	From Junction Box To 2 Pin Connector P-6	new	AS-61998-15	AS-61998-15	AS-61998-15	AS-61998-15	AS-61998-15	AS-61998-15	AS-61998-15
45	From Control Board To Blower Shelf	new	AS-61997-12	AS-61997-12	AS-61997-12	AS-61997-12	AS-61997-12	AS-61997-12	AS-61997-12
46	From Blower Shelf To Induced Draft Motor	new	AS-61998-16	AS-61998-16	AS-61998-16	AS-61998-16	AS-61998-16	AS-61998-16	AS-61998-16
47	From Control Board To 9 Pin Connector P-6 In Blower Shelf	new	AS-61997-14	AS-61997-14	AS-61997-14	AS-61997-14	AS-61997-14	AS-61997-14	AS-61997-14
48	From 9 Pin Connector In Blower Shelf (p-6) To Overtemp. Switch, Pressure Switches, Main Limit & Gas Valve	new	AS-61998-14	AS-61998-14	AS-61998-14	AS-61998-14	AS-61998-14	AS-61998-14	AS-61998-14



Filter And Filter Parts



N O.	MODEL HEAT CAPACITY INPUT VARIATIONS BLOWER DESIGNATION	N O T E	[-]GPK -05[-] A U	[-]GPK -07[-] A M	[-]GPK -07[-] A U	[-]GPK -10[-] A M	[-]GPK -10[-] B R	[-]GPK -12[-] A R	[-]GPK 15[-] A R
---------	--	------------------	----------------------------	----------------------------	----------------------------	----------------------------	----------------------------	----------------------------	---------------------------

Quantities Used On The Unit Are Listed In ().

MISCELLANEOUS -(Continued) FILTER COMPONENTS

Filter and Support Pieces									
49	Filter Support Angle		AE-60520-01	AE-60520-01	AE-60520-01	AE-60520-01	AE-60520-01	AE-60520-01	AE-60520-01
50	Filter Rod Support Angle		AE-61883-01	AE-61883-01	AE-61883-01	AE-61883-01	AE-61883-01	AE-61883-01	AE-61883-01
51	Filter - Permanent	stk	54-24094-01	54-24094-01	54-24094-01	54-24094-01	54-24094-02	54-24094-03	54-24094-03
52	Filter Retainer Rod		45-24095-01	45-24095-01	45-24095-01	45-24095-01	45-24095-01	45-24095-01	45-24095-01

