



80% A.F.U.E.[†] DOWNFLOW GAS FURNACES

The WeatherKing line of downflow gas furnaces is designed for installation in closets, alcoves, utility rooms, or attics. The design is certified by CSA International.

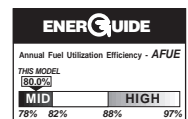
Features

- Innovative design results in reliable, efficient operation at sound levels which provide distinct competitive advantage.
- Patented heat exchanger, constructed of both stainless and aluminized steel for the maximum in corrosion resistance.
- Low profile "34 inch" [864 mm] design is lighter and easier to handle, and leaves room for optional equipment.
- Left or right side gas and electric inlet connections with quick, simple change.
- Direct Spark ignition.
- Integrated board with humidifier and electronic air cleaner hookups.
- Insulated blower compartment helps to reduce jacket loss and noise.
- Pre-paint galvanized steel cabinet.
- Molded permanent filter.
- Grab-holes in doors to aid in easy door removal and replacement.

A variety of cooling coils and plenums designed to use with WeatherKing gas furnaces are available as optional accessories.

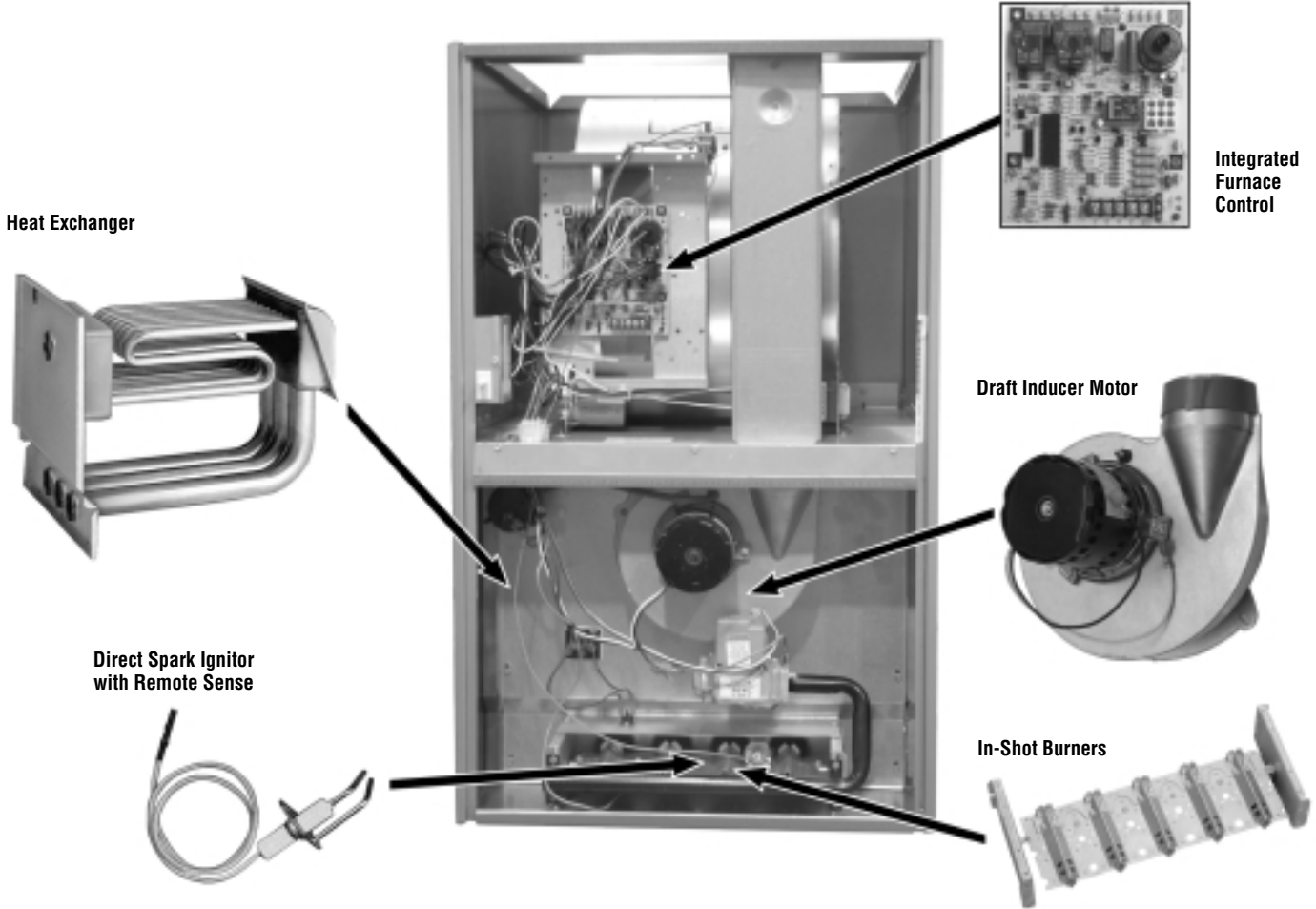
[†]A.F.U.E. (Annual Fuel Utilization Efficiency) calculated in accordance with Department of Energy test procedures.

RGLS- SERIES
Models with Input Rates from
50,000 to 150,000 BTU/HR
[15 to 44 kW]
(U.S. & Canadian Models)





80% DOWNFLOW GAS FURNACE



STANDARD EQUIPMENT

Completely assembled and wired; induced draft; pressure switch; redundant main gas control; blower compartment door safety switch; solid state time on/time off blower control; limit control; manual shut-off valve, pressure regulator for natural and L.P. (propane) gas; transformer; direct drive multi-speed blower motor. Furnaces are equipped with cooling/heating relay and transformer (40VA) ready for air conditioning applications. (Please note: a thermostat is not included as standard equipment.) Flame sensor diagnostics; on-board twinning; fused-protection (secondary), **3rd speed option for continuous fan; common heat/cool terminal.**

NOTE: Furnace is not listed for use with fuels other than natural or L.P. (propane) gas.

The complete terms of limited and other warranties are available at our sales office, or through local installer.

All models can be converted by a qualified WeatherKing distributor or local service dealer to use L.P. (propane) gas without changing burners. Factory approved kits must be used to convert from natural to L.P. (propane) gas and may be ordered as optional accessories from a WeatherKing parts distributor.

For L.P. (propane) operation, refer to Conversion Kit Index Form.

NOTE: For natural and L.P. (propane) gas models, direct spark ignition is 100% lockout type.

WARNING
THIS FURNACE IS NOT APPROVED
OR RECOMMENDED
FOR USE IN MOBILE HOMES

BEFORE PURCHASING THIS APPLIANCE, READ IMPORTANT ENERGY COST AND EFFICIENCY INFORMATION AVAILABLE FROM YOUR RETAILER.

PHYSICAL DATA AND SPECIFICATIONS

MODEL NUMBERS RGLS-	05EAUER	07EAUER	07EAMGR	10EAMER	10EBRGR	10EBRJR	12EARJR	15EARJR
Input-BTU/Hr [kW] ②	50,000 [15]	75,000 [22]	75,000 [22]	100,000 [29.3]	100,000 [29.3]	100,000 [29.3]	125,000 [36.6]	150,000 [44]
Heating Capacity BTU/Hr [kW] ①	41,000 [12]	60,500 [18]	60,500 [18]	80,000 [23]	80,000 [23]	81,000 [24]	99,000 [29]	120,000 [35]
High Altitude Input [kW]	45,000 [13]	67,500 [19.8]	67,500 [19.8]	90,000 [26.4]	90,000 [26.4]	90,000 [26.4]	112,500 [33]	135,000 [39.6]
High Altitude Output Capacity [kW]	36,500 [10.7]	54,000 [15.8]	54,000 [15.8]	72,000 [21.1]	72,000 [21.1]	72,500 [21.2]	89,000 [26.1]	107,500 [31.5]
Heat Ext. Static Pressure [kPa]	.10 [.025]	.12 [.029]	.12 [.029]	.15 [.037]	.15 [.037]	.15 [.037]	.20 [.05]	.20 [.05]
Blower (D x W) [mm]	11 x 6 [279 x 152]	11 x 6 [279 x 152]	11 x 7 [279 x 178]	11 x 7 = 10*AM [279 x 178]	11 x 10 [279 x 254]	11 x 10 [279 x 254]	11 x 10 [279 x 254]	11 x 10 [279 x 254]
Motor H.P. [W]-Speeds [W]-PSC Type	1/2-4-PSC [373]	1/2-3-PSC [373]	3/4-3-PSC [559]	1/2-3-PSC [373]	1/2-3-PSC [373]	3/4-3-PSC [559]	3/4-3-PSC [559]	3/4-3-PSC [559]
Motor Full Load Amps	6.8	5.8	9.5	7.1	7.9	9.5	9.5	9.5
Heating Speed	LOW	MEDIUM	LOW	MED	MED	LOW	LOW	LOW
Cooling Speed	HIGH	HIGH	HIGH	HIGH	HIGH	HIGH	HIGH	HIGH
Cooling CFM @ .5" [kPa] E.S.P. (Nominal) [L/s]	1200 [566]	1200 [566]	1600 [755]	1200 [566]	2000 [944]	2000 [944]	2000 [944]	2000 [944]
Rated E.S.P. (In. W.C.) [kPa]	0.5 [.12]	0.5 [.12]	0.5 [.12]	0.5 [.12]	0.5 [.12]	0.5 [.12]	0.5 [.12]	0.5 [.12]
Temperature Rise Range °F [°C]	25-55 [13.9-30.6]	30-60 [16.7-33.3]	25-55 [13.9-30.6]	45-75 [25-41.7]	40-70 [22.2-38.9]	40-70 [22.2-38.9]	40-70 [22.2-38.9]	50-80 [27.8-44.4]
Max. Outlet Air Temp. °F [°C]	155 [68.3]	165 [73.9]	155 [68.3]	190 [87.8]	190 [87.8]	170 [76.7]	180 [82.2]	170 [76.7]
Standard Filter [mm]	(1) 14 x 20 [356 x 508]	(2) 12 x 20 [305 x 508]	(2) 12 x 20 [305 x 508]	(2) 12 x 20 [305 x 508]	(2) 12 x 20 [305 x 508]	(2) 14 x 20 [356 x 508]	(2) 14 x 20 [356 x 508]	(2) 14 x 20 [356 x 508]
Approx. Shipping Weight (Lbs.) [kg]	85 [38.6]	105 [47.6]	105 [47.6]	115 [52.2]	120 [54.4]	120 [54.4]	140 [63.5]	150 [68.0]
AFUE-Electric Ignition Models ①	80%	80%	80%	80%	80%	80%	80%	80%

NOTES: All models are 115V, 60HZ, 1Ø. Gas connection size for all models is 1/2" N.P.T.

① In accordance with D.O.E. test procedures.

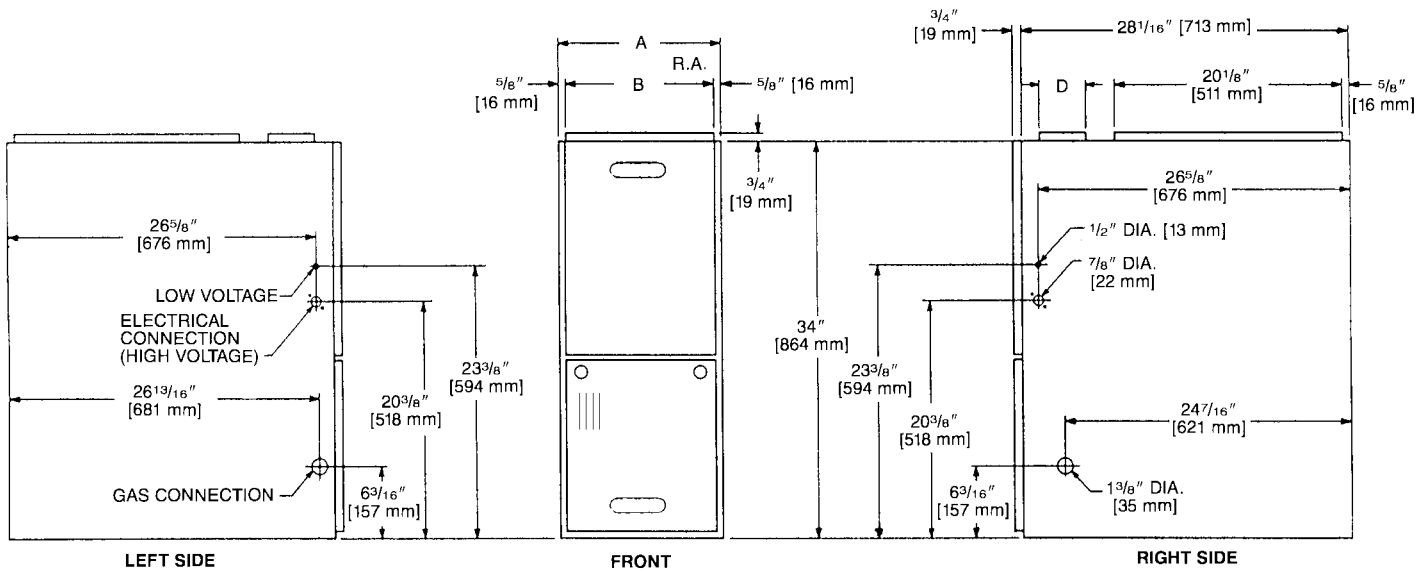
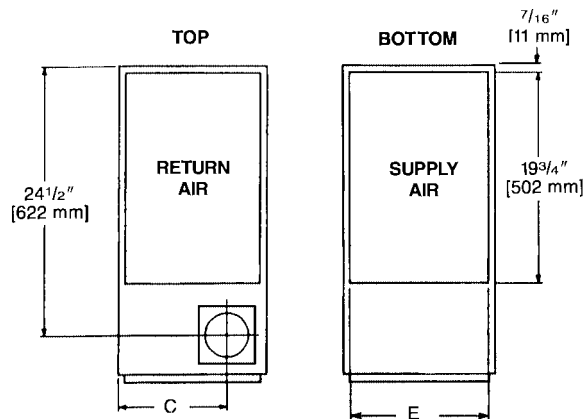
② See Conversion Kit Index Form for high altitude derate in U.S. applications. For Canadian applications, reference the furnace installation instructions.

MODEL IDENTIFICATION—DOWNFLOW MODELS

R	G	L	S	—	07E	A	M	G	R
WeatherKing	Gas Furnace	S = Downflow Tier III	Design Series L = 2nd Design Series		Heating Input Designation	Variations	Blower Designation	Heating & Cooling Designation	Fuel Type
					Electric Ignition- Input BTU/HR	A = Std. Cabinet B = Wide Cabinet	U = 11 x 6 [279 x 152 mm] M = 11 x 7 [279 x 178 mm] R = 11 x 10 [279 x 254 mm]	E = 1100-1300(3R) G = 1500-1700(4R) J = 1900-2100(5R)	R = Natural Gas, - CSA - U.S. and Canada (North American)
					05E 05N 50,000 [15 kW] 07E 07N 75,000 [22 kW] 10E 10N 100,000 [29 kW] 12E 12N 125,000 [37 kW] 15E 15N 150,000 [44 kW]				

[] Designates Metric Conversions

DOWNFLOW DIMENSIONS



DIMENSIONS AND CLEARANCE TO COMBUSTIBLE MATERIAL (INCHES) [mm]

MODEL RGLS- SERIES	A	B	C	D	E	REDUCED CLEARANCES (IN.) [mm]						
						LEFT SIDE	RIGHT SIDE	BACK	TOP	FRONT	VENT	SHIP. WGTS. (LBS.) [kg]
05	14 [356]	12 ²⁷ / ₃₂ [326]	10 ³ / ₈ [264]	①	13 ¹ / ₈ [333]	0	4 ②	0	1 [25]	3 [76]	6 [152] ③	85 [38.6]
07EAU & 07EBM	17 ¹ / ₂ [445]	16 ¹¹ / ₃₂ [415]	12 ¹ / ₈ [308]	①	16 ⁵ / ₈ [422]	0	3 ②	0	1 [25]	3 [76]	6 [152] ③	105 [47.6]
10EA	17 ¹ / ₂ [445]	16 ¹¹ / ₃₂ [415]	12 ¹ / ₈ [308]	①	16 ⁵ / ₈ [422]	0	3 ②	0	1 [25]	3 [76]	6 [152] ③	115 [52.2]
10EBRG & 10EBRJ	21 [533]	19 ²⁷ / ₃₂ [504]	13 ⁷ / ₈ [352]	①	20 ¹ / ₈ [511]	0	0	0	1 [25]	3 [76]	6 [152] ③	120 [54.4]
12	24 ¹ / ₂ [622]	23 ¹¹ / ₃₂ [593]	15 ⁵ / ₈ [397]	①	23 ⁵ / ₈ [600]	0	0	0	1 [25]	3 [76]	6 [152] ③	140 [63.5]
15	24 ¹ / ₂ [622]	23 ¹¹ / ₃₂ [593]	15 ⁵ / ₈ [397]	①	23 ⁵ / ₈ [600]	0	0	0	1 [25]	3 [76]	6 [152] ③	150 [68]

NOTES: ① May require a 3" [76 mm] to 4" [102 mm] or 3" [76 mm] to 5" [127 mm] adapter.

② May be 0" [0 mm] with type B vent.

③ May be 1" [25 mm] with type B vent.

Furnaces must be vented in accordance with the National Fuel Gas Code, ANSI Z223.1 and/or Can/CGA-B149 Installation Codes and in accordance with local codes.

BLOWER PERFORMANCE DATA—DOWNFLOW MODELS

MODEL NUMBER RGLS-SERIES	BLOWER SIZE [mm]	MOTOR H.P. [W]	BLOWER SPEED	CFM [L/s] AIR DELIVERY EXTERNAL STATIC PRESSURE INCHES [kPa] WATER COLUMN						
				.1 [.02]	.2 [.05]	.3 [.07]	.4 [.10]	.5 [.12]	.6 [.15]	.7 [.17]
				05EAUER	11 x 6 [279 x 152]	1/2 [373]	LOW MED-LO MED-HI HIGH	735 [347] 1025 [484] 1185 [559] 1345 [635]	715 [337] 1015 [479] 1165 [550] 1330 [628]	690 [326] 995 [470] 1150 [543] 1310 [618]
07EAUER	11 x 6 [279 x 152]	1/2 [373]	LOW MED HIGH	1104 [529] 1284 [606] 1478 [698]	1081 [510] 1269 [599] 1438 [679]	1050 [496] 1236 [583] 1397 [659]	1025 [484] 1206 [569] 1362 [643]	999 [471] 1179 [556] 1392 [657]	971 [458] 1139 [538] 1282 [605]	940 [444] 1102 [520] 1242 [586]
07EAMGR	11 x 7 [279 x 178]	1/2 [373]	LOW MED HIGH	1210 [571] 1580 [746] 1915 [904]	1205 [569] 1560 [736] 1880 [887]	1195 [564] 1550 [732] 1825 [861]	1180 [557] 1530 [722] 1790 [845]	1165 [550] 1495 [706] 1740 [821]	1155 [545] 1465 [691] 1675 [791]	1130 [533] 1430 [675] 1600 [755]
10EAMER	11 x 7 [279 x 178]	1/2 [373]	LOW MED HIGH	1070 [505] 1240 [585] 1420 [670]	1055 [498] 1210 [571] 1395 [658]	1040 [491] 1190 [562] 1370 [647]	1010 [477] 1165 [550] 1340 [632]	980 [463] 1135 [536] 1305 [616]	945 [446] 1095 [517] 1265 [597]	905 [427] 1055 [498] 1220 [576]
10EBRGR	11 x 10 [279 x 254]	1/2 [373]	LOW MED HIGH	1303 [615] 1697 [801] 2078 [981]	1304 [615] 1674 [790] 2068 [976]	1280 [604] 1655 [781] 2037 [961]	1250 [590] 1638 [773] 2010 [949]	1222 [577] 1621 [765] 1988 [938]	1188 [557] 1581 [746] 1938 [915]	1160 [547] 1542 [728] 1898 [896]
10EBRJR	11 x 10 [279 x 254]	3/4 [559]	LOW MED HIGH	1690 [798] — —	1670 [788] 2085 [984] 2410 [1137]	1655 [781] 2055 [970] 2355 [1111]	1615 [762] 2005 [946] 2305 [1088]	1585 [748] 1970 [930] 2240 [1057]	1565 [739] 1945 [918] 2165 [1022]	1525 [720] 1880 [887] 2100 [991]
12EARJR	11 x 10 [279 x 254]	3/4 [559]	LOW MED HIGH	— — —	1690 [798] 2090 [986] 2395 [1130]	1660 [783] 2035 [960] 2335 [1102]	1635 [772] 1985 [937] 2260 [1067]	1580 [746] 1930 [911] 2185 [1031]	1535 [724] 1850 [873] 2080 [982]	1480 [698] 1785 [842] 1965 [927]
15EARJR	11 x 10 [279 x 254]	3/4 [559]	LOW MED HIGH	1675 [791] 2105 [993] —	1650 [779] 2075 [979] —	1620 [765] 2035 [960] —	1570 [741] 1990 [939] —	1545 [729] 1955 [923] —	1485 [701] 1900 [897] —	1425 [673] 1815 [857] —

NOTES: Recommended blower speeds are in bold.

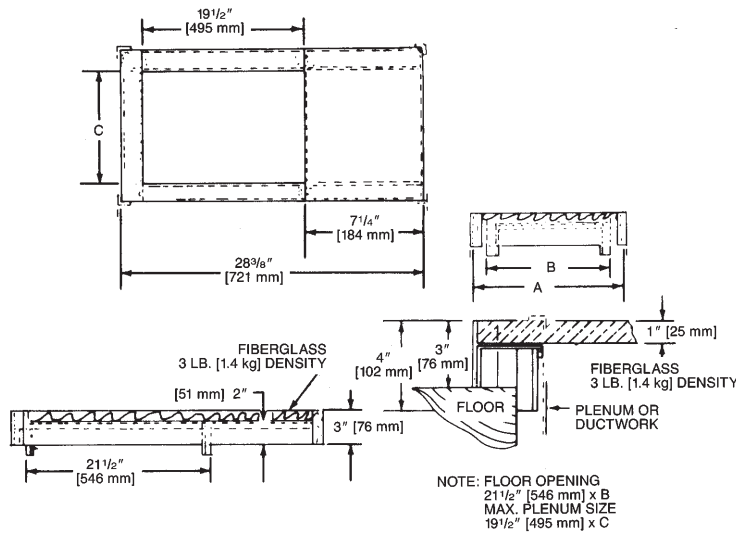
[] Designates Metric Conversions

ACCESSORIES—DOWNFLOW

DOWNFLOW WARNING: Unit design is certified for installation on non-combustible floor. A special factory supplied combustible floor sub-base is required when installing on a combustible floor. Failure to install the sub-base may result in fire, property damage and personal injury.

COMBUSTIBLE FLOOR BASE DIMENSIONS

COMBUSTIBLE FLOOR BASE	USE WITH FURNACE SIZES	A IN. [mm]	B IN. [mm]	C IN. [mm]
RXGC-B14	80LS-05	14 ¹ / ₂ [368]	13 ¹ / ₄ [337]	11 ¹ / ₄ [286]
RXGC-B17	80LS-07, 80LS-10(-)EB	18 [457]	16 ³ / ₄ [425]	14 ³ / ₄ [451]
RXGC-B21	80LS-10ED	21 ¹ / ₂ [546]	20 ¹ / ₄ [514]	18 ¹ / ₄ [464]
RXGC-B24	80LS-12, 80LS-15	25 [635]	23 ³ / ₄ [603]	21 ³ / ₄ [552]



GXGP-F03

PARALLEL FURNACE KITS—are for parallel operation requirements.

RXPF-F01 and F02

FOSSIL FUEL KITS—are for use with WeatherKing Heat Pumps and 80% warm air furnaces. The RXPF-F02 meets TVA requirements.

RXGF-CC*

FILTER RACK—Downflow top return mount.
NOTE: Filter racks are shipped without filters.

*Filters available through PROSTOCK®.

RXGF-DB*

Each order contains (1) one box of 10 filter racks supplied without filters.

*Filters available through PROSTOCK®.

FOR HIGH ALTITUDES:

HIGH ALTITUDE OPTION CODE: U.S. & Canada – None required for high altitudes.

HIGH ALTITUDE CONVERSION KITS: U.S. & Canada – None required for high altitudes.

80+ HIGH ALTITUDE INSTRUCTIONS

Caution: Always follow National Fuel Gas Code (NFGC) guidelines when converting for high altitudes.

High altitude option codes are not required for these models. However, the burner orifice size needs to be recalculated and verified at elevations above 2000 ft. See Installation Instructions for more information.

NOTE: For Canadian installations only, an optional derate (manifold gas pressure reduction) method may be used to adjust the furnace for altitude. See Installation Instructions for more information. This optional method may **NOT** be used for U.S. installations.

[] Designates Metric Conversions

GENERAL TERMS OF LIMITED WARRANTY

WeatherKing will furnish a replacement for any part of this product which fails in normal use and service within the applicable period stated, in accordance with the terms of the limited warranty.

*For Complete Details of the Limited Warranty, Including Applicable Terms and Conditions, See Your Local Installer or Contact the Manufacturer for a Copy.

Gas Heat Exchanger Limited WarrantyTwenty (20) Years
Conditional Parts* (Registration Required)Ten (10) Years

NOTES

Before proceeding with installation, refer to installation instructions packaged with each model, as well as complying with all Federal, State, Provincial, and Local codes, regulations, and practices.



"In keeping with its policy of continuous progress and product improvement, WeatherKing reserves the right to make changes without notice."