

INSTALLATION INSTRUCTIONS

AIR HANDLERS

(-)BHP

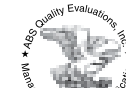
- MODELS FEATURING R-22 REFRIGERANT
- MODELS FEATURING EARTH-FRIENDLY R-410A REFRIGERANT 
- MODELS FEATURING ELECTRIC HEAT WITHOUT INDOOR COOLING COIL



RECOGNIZE THIS SYMBOL AS AN INDICATION OF IMPORTANT SAFETY INFORMATION!

WARNING

These instructions are intended as an aid to qualified licensed service personnel for proper installation, adjustment and operation of this unit. Read these instructions thoroughly before attempting installation or operation. Failure to follow these instructions may result in improper installation, adjustment, service or maintenance possibly resulting in fire, electrical shock, property damage, personal injury or death.



ISO 9001:2000

Certificate Number: 30164

DO NOT DESTROY THIS MANUAL

PLEASE READ CAREFULLY AND KEEP IN A SAFE PLACE FOR FUTURE REFERENCE BY A SERVICEMAN

TABLE OF CONTENTS

1.0	SAFETY INFORMATION	3
2.0	GENERAL INFORMATION	7
2.1	Important Information About Efficiency and Indoor Air Quality	7
2.2	Receiving	8
2.3	Clearances	8
2.4	Model Number Explanation	9
2.5	Dimensions and Weights	10
2.6	Unit Configuration	11
2.7	Vertical Upflow	12
2.8	Vertical Downflow	12
2.9	Horizontal	14
3.0	ELECTRICAL WIRING	15
3.1	Power Wiring	15
3.2	Control Wiring	16
3.3	Grounding	16
3.4	Copper Wire Size	17
3.5	Blower Motor Electrical Data	17
3.6	Electric Heat Electrical Data	17
4.0	DUCTWORK	19
5.0	REFRIGERANT CONNECTIONS	20
5.1	Flowcheck Pistons	20
6.0	CONDENSATE DRAIN TUBING	21
7.0	AIR FILTER	22
8.0	AIRFLOW PERFORMANCE	22
8.1	Airflow Operatng Limits	23
8.2	Airflow Performance Data	23
9.0	SEQUENCE OF OPERATION	25
9.1	Cooling (cooling only or heat pump)	25
9.2	Heating (electric heat only)	25
9.3	Heating (heat pump)	25
9.4	Watt Restrictor	25
9.5	Defrost Sequence	25
9.6	Emergency Heat (Heating of Heat Pump)	26
9.7	Room Thermostat (Anticipator Setting)	26
10.0	CALCULATIONS	26
10.1	Calculating Temperature Rise	26
10.2	Calculating BTUH Heating Capacity	26
10.3	Calculating Airflow CFM	26
10.4	Calculating Correction Factor	26
11.0	PRE-START CHECKLIST	27
12.0	MAINTENANCE	27
12.1	Air Filter	27
12.2	Indoor Coil-Drain Pan-Drain Line	28
12.3	Blower Motor and Wheel	28
12.4	Lubrication	28
12.5	Blower Assembly Removal and Replacement	28
12.6	Electric Heater Replacement	29
12.7	Motor Replacement	29
13.0	REPLACEMENT PARTS	30
14.0	ACCESSORIES - KITS - PARTS	31

1.0 SAFETY INFORMATION

Improper installation, or installation not made in accordance with the Underwriters Laboratory certification or these instructions, can result in unsatisfactory operation and/or dangerous conditions and are not covered by the unit warranty.

WARNING

Duct leaks can create an unbalanced system and draw pollutants such as dirt, dust, fumes and odors into the home causing property damage. Fumes and odors from toxic, volatile or flammable chemicals, as well as automobile exhaust and carbon monoxide (CO), can be drawn into the living space through leaking ducts and unbalanced duct systems causing personal injury or death (see Figure 1).

- If air-moving equipment or ductwork is located in garages or off-garage storage areas - all joints, seams, and openings in the equipment and duct must be sealed to limit the migration of toxic fumes and odors including carbon monoxide from migrating into the living space.
- If air-moving equipment or ductwork is located in spaces containing fuel burning appliances such as water heaters or boilers - all joints, seams, and openings in the equipment and duct must also be sealed to prevent depressurization of the space and possible migration of combustion byproducts including carbon monoxide into the living space.

WARNING

THESE INSTRUCTIONS ARE INTENDED AS AN AID TO QUALIFIED, LICENSED SERVICE PERSONNEL FOR PROPER INSTALLATION, SET UP AND OPERATION OF THIS UNIT. READ THESE INSTRUCTIONS THOROUGHLY BEFORE ATTEMPTING INSTALLATION OR OPERATION. FAILURE TO FOLLOW THESE INSTRUCTIONS MAY RESULT IN IMPROPER INSTALLATION, SET UP, SERVICE OR MAINTENANCE POSSIBLY RESULTING IN FIRE, ELECTRICAL SHOCK, PROPERTY DAMAGE, PERSONAL INJURY OR DEATH.

WARNING

PROPOSITION 65: THIS APPLIANCE CONTAINS FIBERGLASS INSULATION. RESPIRABLE PARTICLES OF FIBERGLASS ARE KNOWN TO THE STATE OF CALIFORNIA TO CAUSE CANCER.

WARNING

DO NOT, UNDER ANY CIRCUMSTANCES, CONNECT RETURN DUCTWORK TO ANY OTHER HEAT PRODUCING DEVICE SUCH AS FIREPLACE INSERT, STOVE, ETC. UNAUTHORIZED USE OF SUCH DEVICES MAY RESULT IN FIRE, CARBON MONOXIDE POISONING, EXPLOSION, PERSONAL INJURY OR PROPERTY DAMAGE.

CAUTION

When installing a unit with cooling coil over a finished ceiling and/or living space, installation of an auxiliary drain pan under the entire unit, to avoid damage to ceiling, is recommended.

WARNING

DISCONNECT ALL POWER TO UNIT BEFORE INSTALLING OR SERVICING. MORE THAN ONE DISCONNECT SWITCH MAY BE REQUIRED TO DE-ENERGIZE THE EQUIPMENT. HAZARDOUS VOLTAGE CAN CAUSE SEVERE PERSONAL INJURY OR DEATH.

WARNING

BECAUSE OF POSSIBLE DAMAGE TO EQUIPMENT OR PERSONAL INJURY, INSTALLATION, SERVICE AND MAINTENANCE SHOULD BE PERFORMED BY A TRAINED, QUALIFIED SERVICE PERSON. CONSUMER SERVICE IS RECOMMENDED ONLY FOR FILTER CLEANING/REPLACEMENT. NEVER OPERATE THE UNIT WITH THE ACCESS PANELS REMOVED.

⚠ WARNING (SEE WARNINGS IN REGARD TO DUCTWORK)

DO NOT INSTALL THIS UNIT IN MANUFACTURED (MOBILE) HOMES. IMPROPER INSTALLATION IS MORE LIKELY IN MANUFACTURED HOUSING DUE TO DUCTWORK MATERIAL, SIZE, LOCATION, AND ARRANGEMENT. INSTALLATIONS IN MANUFACTURED HOUSING CAN CAUSE A FIRE RESULTING IN PROPERTY DAMAGE, PERSONAL INJURY OR DEATH.

EXCEPTION: MANUFACTURED HOUSING INSTALLATIONS ARE APPROVED ONLY WITH DOCUMENTATION BY A RECOGNIZED INSPECTION AUTHORITY THAT THE INSTALLATION HAS BEEN MADE IN COMPLIANCE WITH THE INSTRUCTIONS AND ALL WARNINGS HAVE BEEN OBSERVED.

⚠ WARNING

IF UNIT IS TO BE INSTALLED WITHOUT AN INDOOR COIL, RETURN DUCT OR PLENUM, IT MUST NOT BE INSTALLED DIRECTLY OVER COMBUSTIBLE MATERIAL. IF INSTALLED WITHOUT AN INDOOR COIL WITH A RETURN DUCT OR PLENUM, THE AIR PLENUM OR DUCT MUST HAVE A SOLID SHEET METAL BOTTOM WITH NO RETURN AIR OPENINGS, REGISTERS OR FLEXIBLE AIR DUCTS LOCATED DIRECTLY UNDER THE UNIT. EXPOSING COMBUSTIBLE MATERIAL TO THE RETURN OPENING OF AN UPFLOW UNIT WITHOUT AN INDOOR COIL CAN CAUSE A FIRE RESULTING IN PROPERTY DAMAGE, PERSONAL INJURY OR DEATH.

⚠ WARNING

THE RXBB-AA COMBUSTIBLE FLOOR BASE IS REQUIRED WHEN SOME UNITS WITH ELECTRIC HEAT ARE APPLIED DOWNFLOW ON COMBUSTIBLE FLOORING. FAILURE TO USE THE BASE CAN CAUSE A FIRE RESULTING IN PROPERTY DAMAGE, PERSONAL INJURY OR DEATH. SEE CLEARANCES FOR UNITS REQUIRING A COMBUSTIBLE FLOOR BASE.

⚠ WARNING

THE FIRST 36 INCHES OF SUPPLY AIR PLENUM AND DUCTWORK MUST BE CONSTRUCTED OF SHEET METAL AS REQUIRED BY NFPA 90B. THE SUPPLY AIR PLENUM OR DUCT MUST HAVE A SOLID SHEET METAL BOTTOM DIRECTLY UNDER THE UNIT WITH NO OPENINGS, REGISTERS OR FLEXIBLE AIR DUCTS LOCATED IN IT. IF FLEXIBLE SUPPLY AIR DUCTS ARE USED THEY MAY BE LOCATED ONLY IN THE VERTICAL WALLS, OF A RECTANGULAR PLENUM, A MINIMUM OF 6 INCHES FROM THE SOLID BOTTOM. METAL PLENUM OR DUCT MAY BE CONNECTED TO THE COMBUSTIBLE FLOOR BASE, IF NOT, IT MUST BE CONNECTED TO THE UNIT SUPPLY DUCT FLANGES SUCH THAT COMBUSTIBLE FLOOR OR OTHER COMBUSTIBLE MATERIAL IS NOT EXPOSED TO THE SUPPLY AIR OPENING FROM THE DOWNFLOW UNIT. EXPOSING COMBUSTIBLE (NON-METAL) MATERIAL TO THE SUPPLY OPENING OF A DOWNFLOW UNIT CAN CAUSE A FIRE RESULTING IN PROPERTY DAMAGE, PERSONAL INJURY OR DEATH.

EXCEPTIONS TO DOWNFLOW WARNINGS:

- INSTALLATIONS ON CONCRETE FLOOR SLAB WITH SUPPLY AIR PLENUM AND DUCTWORK COMPLETELY ENCASED IN NOT LESS THAN 2 INCHES OF CONCRETE (SEE NFPA 90B).
- INSTALLATIONS OF UNITS WITHOUT ELECTRIC HEATERS.

⚠ WARNING

THE SUPPLY AIR PLENUM OR DUCT MUST HAVE A SOLID SHEET METAL BOTTOM WITH NO SUPPLY AIR OPENINGS, REGISTERS OR FLEXIBLE AIR DUCTS LOCATED IN IT FOR THE FIRST 36 INCHES OF HORIZONTAL SURFACE ON UNITS WITH ELECTRIC HEATERS. FAILURE TO OBSERVE SUPPLY PLENUM, DUCT WARNINGS CAN CAUSE A FIRE RESULTING IN PROPERTY DAMAGE, PERSONAL INJURY OR DEATH.

 WARNING

THE UNIT MUST BE PERMANENTLY GROUNDED. FAILURE TO DO SO CAN RESULT IN ELECTRICAL SHOCK CAUSING PERSONAL INJURY OR DEATH.

 WARNING (SEE SPECIFIC AIRFLOW POSITION FOR ADDITIONAL WARNINGS)

UNITS ARE FOR DUCTED APPLICATIONS ONLY. A MINIMUM OF 36 INCHES OF SUPPLY AIR PLENUM AND DUCTWORK IS REQUIRED. NO SUPPLY AIR OPENINGS, REGISTERS OR FLEXIBLE AIR DUCTS MAY BE LOCATED WITHIN THE FIRST 36 INCHES OF SUPPLY PLENUM AND DUCTWORK ON UNITS WITH ELECTRIC HEATERS. FAILURE TO OBSERVE SUPPLY PLENUM/DUCT WARNINGS CAN CAUSE A FIRE RESULTING IN PROPERTY DAMAGE, PERSONAL INJURY OR DEATH.

 WARNING

UNITS WITH CIRCUIT BREAKER(S) MEET REQUIREMENTS AS A SERVICE DISCONNECT SWITCH, HOWEVER, IF ACCESS IS REQUIRED TO THE LINE SIDE (COVERED) OF THE CIRCUIT BREAKER, THIS SIDE OF THE BREAKER(S) WILL BE ENERGIZED WITH THE BREAKER(S) DE-ENERGIZED. CONTACT WITH THE LINE SIDE CAN CAUSE ELECTRICAL SHOCK RESULTING IN PERSONAL INJURY OR DEATH.

 WARNING

IF REMOVAL OF THE BLOWER ASSEMBLY IS REQUIRED, ALL DISCONNECT SWITCHES SUPPLYING POWER TO THE AIRHANDLER MUST BE DE-ENERGIZED AND LOCKED (IF NOT IN SIGHT OF UNIT) SO THE FIELD POWER WIRES CAN BE SAFELY REMOVED FROM THE BLOWER ASSEMBLY. FAILURE TO DO SO CAN CAUSE ELECTRICAL SHOCK RESULTING IN PERSONAL INJURY OR DEATH.

CAUTION

When used on cooling applications, excessive sweating may occur when unit is installed in an unconditioned space. This can result in property damage.

- Some building codes require extra cabinet insulation and gasketing when unit is installed in attic applications.
- If installed in an unconditioned space, apply caulking around the power wires, control wires, refrigerant tubing and condensate line where they enter the cabinet. Seal the power wires on the inside where they exit conduit opening. Caulking is required to prevent air leakage into and condensate from forming inside the unit, control box, and on electrical controls.
- Install the unit in such a way as to allow free access to the coil/filter compartment and blower/control compartment.
- Install the unit in a level position to ensure proper condensate drainage. Make sure unit is level in both directions within 1/8".
- Install the unit in accordance with any local code which may apply and the national codes. Latest editions are available from: "National Fire Protection Association, Inc., Batterysmarch Park, Quincy, MA 02269." These publications are:
 - ANSI/NFPA No. 70-(Latest Edition) National Electrical Code.
 - NFPA90A Installation of Air Conditioning and Ventilating Systems.
 - NFPA90B Installation of warm air heating and air conditioning systems.
- The equipment has been evaluated in accordance with the Code of Federal Regulations, Chapter XX, Part 3280.

CAUTION

HORIZONTAL UNITS MUST BE CONFIGURED FOR RIGHT HAND AIR SUPPLY OR LEFT HAND AIR SUPPLY. HORIZONTAL DRAIN PAN MUST BE LOCATED UNDER INDOOR COIL. FAILURE TO USE THE DRAIN PAN CAN RESULT IN PROPERTY DAMAGE.

NOTICE

Improper installation, or installation not made in accordance with the Underwriters Laboratory (UL) certification or these instructions, can result in unsatisfactory operation and/or dangerous conditions and are not covered by the unit warranty.

NOTICE

In compliance with recognized codes, it is recommended that an auxiliary drain pan be installed under all evaporator coils or units containing evaporator coils that are located in any area of a structure where damage to the building or building contents may occur as a result of an overflow of the coil drain pan or a stoppage in the primary condensate drain piping. See accessories section of these instructions for auxiliary horizontal overflow pan information (model RXBM).

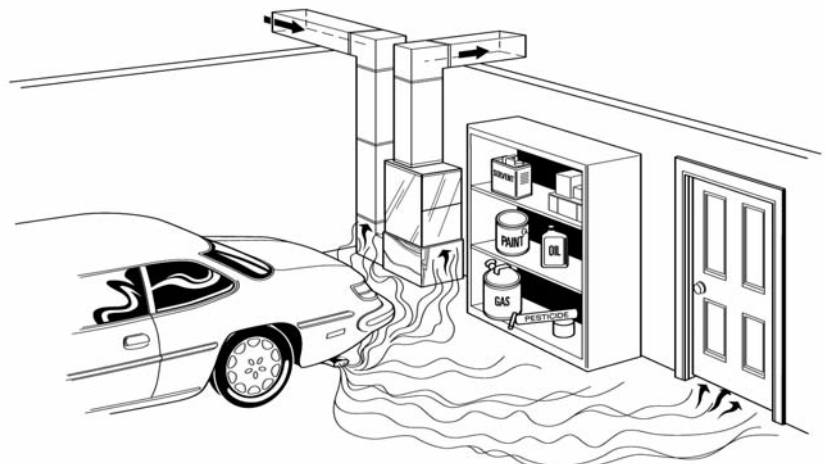
2.0 GENERAL INFORMATION

2.1 IMPORTANT INFORMATION ABOUT EFFICIENCY AND INDOOR AIR QUALITY

Central cooling and heating equipment is only as efficient as the duct system that carries the cooled or heated air. To maintain efficiency, comfort and good indoor air quality, it is important to have the proper balance between the air being supplied to each room and the air returning to the cooling and heating equipment.

Proper balance and sealing of the duct system improves the efficiency of the heating and air conditioning system and improves the indoor air quality of the home by reducing the amount of airborne pollutants that enter homes from spaces where the ductwork and / or equipment is located. The manufacturer and the U.S. Environmental Protection Agency's Energy Star Program recommend that central duct systems be checked by a qualified contractor for proper balance and sealing.

FIGURE 1
MIGRATION OF DANGEROUS SUBSTANCES, FUMES, AND ODORS INTO LIVING SPACES



Adapted from *Residential Duct Diagnostics and Repair*, with permission of Air Conditioning Contractors of America (ACCA).

⚠ WARNING

Duct leaks can create an unbalanced system and draw pollutants such as dirt, dust, fumes and odors into the home causing property damage. Fumes and odors from toxic, volatile or flammable chemicals, as well as automobile exhaust and carbon monoxide (CO), can be drawn into the living space through leaking ducts and unbalanced duct systems causing personal injury or death (see Figure 1).

- If air-moving equipment or ductwork is located in garages or off-garage storage areas - all joints, seams, and openings in the equipment and duct must be sealed to limit the migration of toxic fumes and odors including carbon monoxide from migrating into the living space.
- If air-moving equipment or ductwork is located in spaces containing fuel burning appliances such as water heaters or boilers - all joints, seams, and openings in the equipment and duct must also be sealed to prevent depressurization of the space and possible migration of combustion byproducts including carbon monoxide into the living space.

⚠ NOTICE

Improper installation, or installation not made in accordance with the Underwriters Laboratory (UL) certification or these instructions, can result in unsatisfactory operation and/or dangerous conditions and are not covered by the unit warranty.

NOTICE

In compliance with recognized codes, it is recommended that an auxiliary drain pan be installed under all evaporator coils or units containing evaporator coils that are located in any area of a structure where damage to the building or building contents may occur as a result of an overflow of the coil drain pan or a stoppage in the primary condensate drain piping. See accessories section of these instructions for auxiliary horizontal overflow pan information (model RXBM).

2.2 RECEIVING

Immediately upon receipt, all cartons and contents should be inspected for transit damage. Units with damaged cartons should be opened immediately. If damage is found, it should be noted on the delivery papers, and a damage claim filed with the last carrier.

- After unit has been delivered to job site, remove carton taking care not to damage unit.
- Check the unit rating plate for unit size, electric heat, coil, voltage, phase, etc. to be sure equipment matches what is required for the job specification.
- Read the entire instructions before starting the installation.
- Some building codes require extra cabinet insulation and gasketing when unit is installed in attic applications.
- If installed in an unconditioned space, apply caulking around the power wires, control wires, refrigerant tubing and condensate line where they enter the cabinet. Seal the power wires on the inside where they exit conduit opening. Caulking is required to pre-vent air leakage into and condensate from forming inside the unit, control box, and on electrical controls.
- Install the unit in such a way as to allow necessary access to the coil/filter rack and blower/control compartment.
- Install the unit in a level position to ensure proper condensate drainage. Make sure unit is level in both directions within 1/8".
- Install the unit in accordance with any local code which may apply and the national codes. Latest editions are available from: "National Fire Protection Association, Inc., Batterysmarch Park, Quincy, MA 02269." These publications are:
 - ANSI/NFPA No. 70-(Latest Edition) National Electrical Code.
 - NFPA90A Installation of Air Conditioning and Ventilating Systems.
 - NFPA90B Installation of warm air heating and air conditioning systems.
- The equipment has been evaluated in accordance with the Code of Federal Regulations, Chapter XX, Part 3280.

2.3 CLEARANCES

- All units are designed for "0" inches clearance to combustible material on all cabinet surfaces.
- Some units require supply duct clearances and combustible floor bases depending on the heating kW. The following table should be used to determine these requirements:

Model Cabinet Size	17	21	24
Model Designation kW	15	20	25

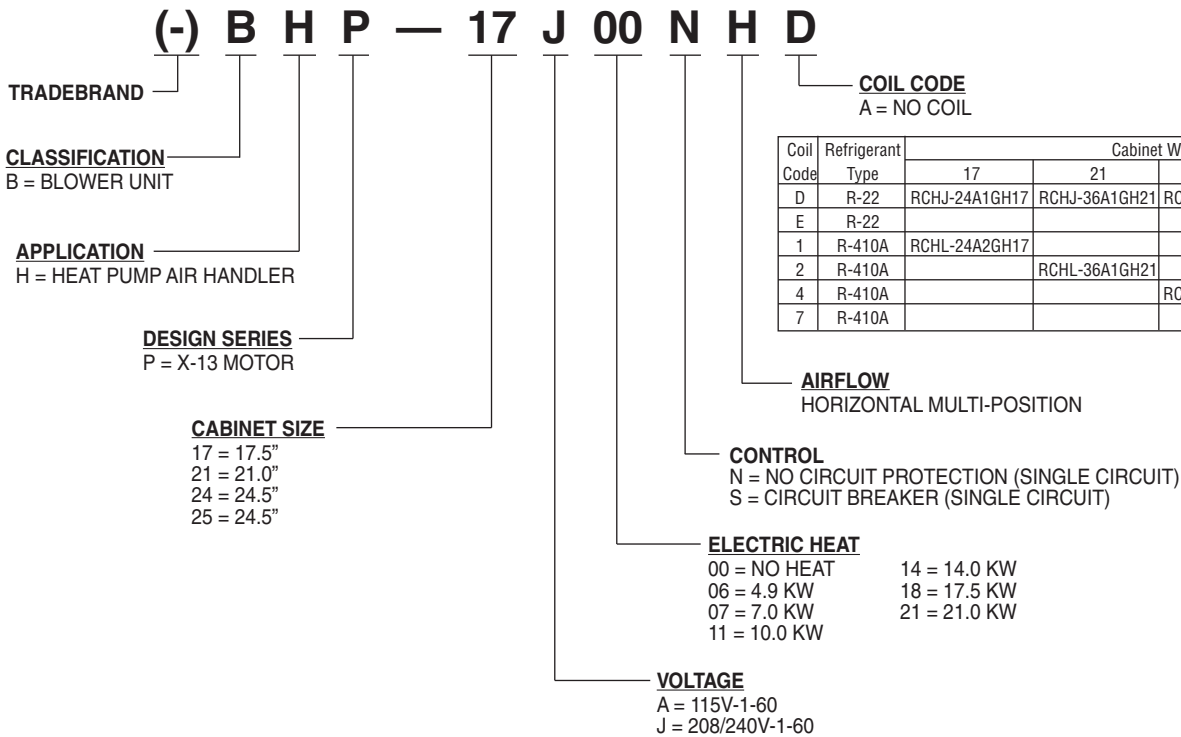
Units with electric heating kW above that listed in the table require a one inch clearance to combustible material for the first three feet of supply plenum and ductwork. **Additionally, if these units are installed downflow, a combustible floor base is required.**

Units with electric heating kW equal to or less than the values listed in the table do not require supply ductwork clearances or combustible floor bases.

- Vertical units require clearance on at least one side of the unit for electrical connections. Horizontal units require clearance on either top or bottom for electrical connections. Refrigerant and condensate drain connections are made on the front of the unit.
- All units require 24 inches minimum access to the front of the unit for service.
- These units may be installed in either ventilated or nonventilated spaces.

2.4 UNIT MODEL EXPLANATION

FIGURE 2
MODEL NUMBER EXPLANATION



AVAILABLE MODELS WITHOUT COIL

(-)BHP-17J11SHA
(-)BHP-21J14SHA
(-)BHP-24J18SHA
(-)BHP-25J21SHA

AVAILABLE MODELS FEATURING R-22 REFRIGERANT

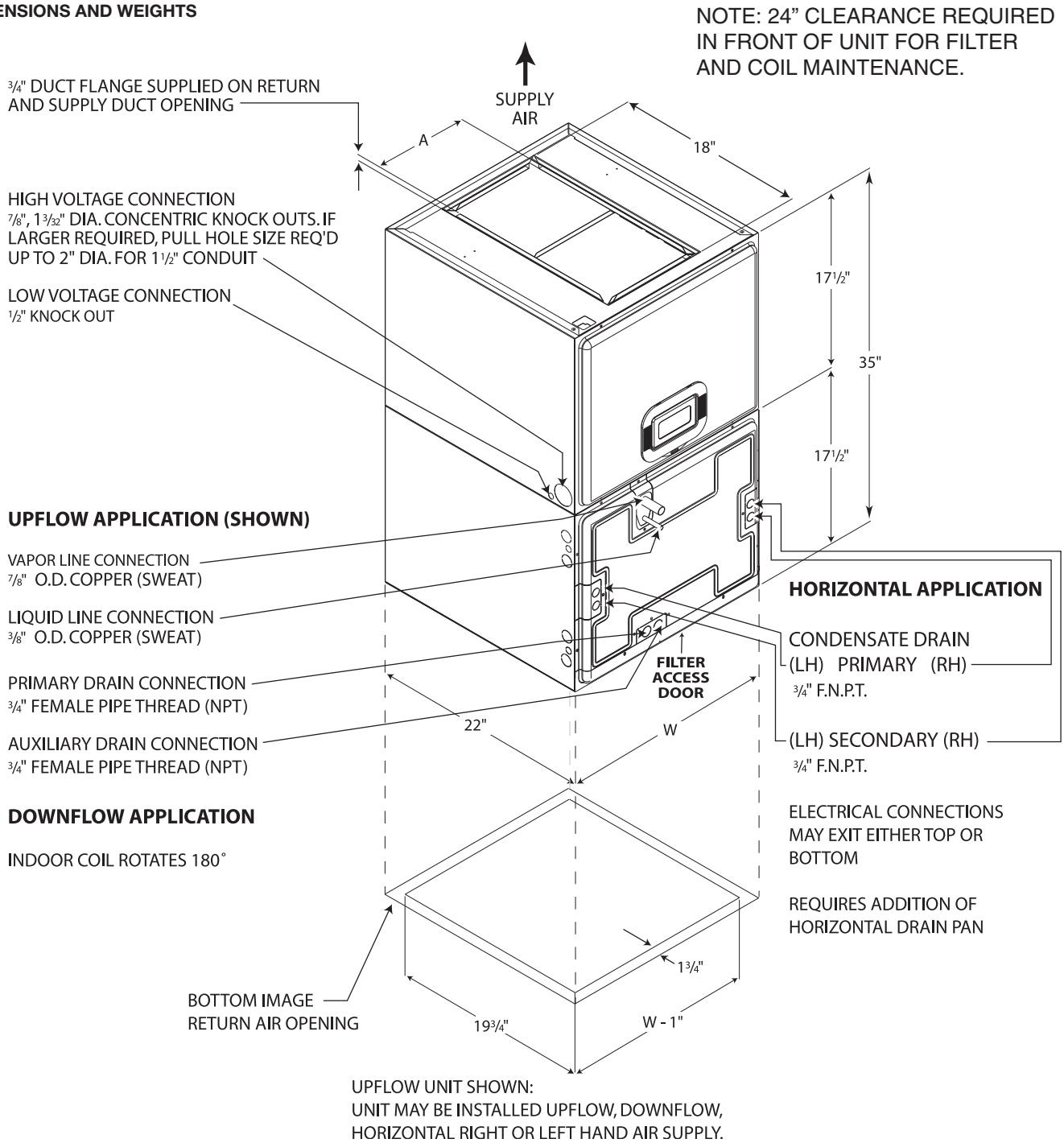
(-)BHP-17A00NHD
(-)BHP-17J06SHD
(-)BHP-17J07SHD
(-)BHP-17J11SHD
(-)BHP-21A00NHD
(-)BHP-21J06SHD
(-)BHP-21J07SHD
(-)BHP-21J11SHD
(-)BHP-21J14SHD
(-)BHP-24A00NHD
(-)BHP-24J06SHD
(-)BHP-24J07SHD
(-)BHP-24J11SHD
(-)BHP-24J14SHD
(-)BHP-24J18SHD
(-)BHP-24J18SHD
(-)BHP-25A00NHE
(-)BHP-25J11SHE
(-)BHP-25J14SHE
(-)BHP-25J18SHE
(-)BHP-25J21SHE

AVAILABLE MODELS FEATURING R-410A REFRIGERANT

(-)BHP-17A00NH1
(-)BHP-17J06SH1
(-)BHP-17J07SH1
(-)BHP-17J11SH1
(-)BHP-21A00NH2
(-)BHP-21J06SH2
(-)BHP-21J07SH2
(-)BHP-21J11SH2
(-)BHP-21J14SH2
(-)BHP-24A00NH4
(-)BHP-24J06SH4
(-)BHP-24J07SH4
(-)BHP-24J11SH4
(-)BHP-24J14SH4
(-)BHP-24J18SH4
(-)BHP-25A00NH7
(-)BHP-25J11SH7
(-)BHP-25J14SH7
(-)BHP-25J18SH7
(-)BHP-25J21SH7

2.5 DIMENSIONS AND WEIGHTS

FIGURE 3
DIMENSIONS AND WEIGHTS



DIMENSIONAL DATA

MODEL CABINET SIZE	UNIT WIDTH "W" IN.	SUPPLY DUCT "A" IN.	UNIT WEIGHT / SHIPPING WEIGHT (LBS.)*	
			UNIT WITH COIL (MAX. kw.)	UNIT WITHOUT COIL (MAX. kw.)
17	17 1/2"	7 9/16"	92/99 [323.6/348.2]	66/75 [232.1/263.8]
21	21"	9 7/16"	109/117 [383.3/411.5]	79/87 [277.8/306]
24	24 1/2"	11 3/4"	125/134 [439.6/471.3]	88/97 [309.5/341.1]
25	24 1/2"	11 3/4"	125/134 [439.6/471.3]	88/97 [309.5/341.1]

⚠ WARNING (SEE WARNINGS IN REGARD TO DUCTWORK)

DO NOT INSTALL THIS UNIT IN MANUFACTURED (MOBILE) HOMES. IMPROPER INSTALLATION IS MORE LIKELY IN MANUFACTURED HOUSING DUE TO DUCTWORK MATERIAL, SIZE, LOCATION, AND ARRANGEMENT. INSTALLATIONS IN MANUFACTURED HOUSING CAN CAUSE A FIRE RESULTING IN PROPERTY DAMAGE, PERSONAL INJURY OR DEATH.

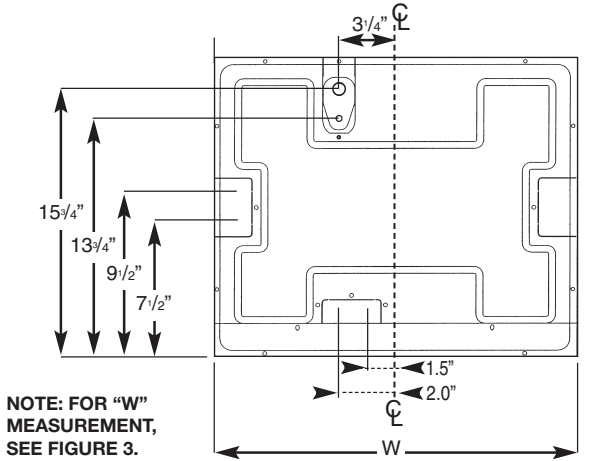
EXCEPTION: MANUFACTURED HOUSING INSTALLATIONS ARE APPROVED ONLY WITH DOCUMENTATION BY A RECOGNIZED INSPECTION AUTHORITY THAT THE INSTALLATION HAS BEEN MADE IN COMPLIANCE WITH THE INSTRUCTIONS AND ALL WARNINGS HAVE BEEN OBSERVED.

⚠ CAUTION

When used on cooling applications, excessive sweating may occur when unit is installed in an unconditioned space. This can result in property damage.

- Some building codes require extra cabinet insulation and gasketing when unit is installed in attic applications.
- If installed in an unconditioned space, apply caulking around the power wires, control wires, refrigerant tubing and condensate line where they enter the cabinet. Seal the power wires on the inside where they exit conduit opening. Caulking is required to prevent air leakage into and condensate from forming inside the unit, control box, and on electrical controls.
- Install the unit in such a way as to allow free access to the coil/filter compartment and blower/control compartment.
- Install the unit in a level position to ensure proper condensate drainage. Make sure unit is level in both directions within 1/8".
- Install the unit in accordance with any local code which may apply and the national codes. Latest editions are available from: "National Fire Protection Association, Inc., Batterymarch Park, Quincy, MA 02269." These publications are:
 - ANSI/NFPA No. 70-(Latest Edition) National Electrical Code.
 - NFPA90A Installation of Air Conditioning and Ventilating Systems.
 - NFPA90B Installation of warm air heating and air conditioning systems.
- The equipment has been evaluated in accordance with the Code of Federal Regulations, Chapter XX, Part 3280.

FIGURE 4
DIMENSIONS FOR FRONT CONNECT COIL



2.6 UNIT CONFIGURATION

All units are modular construction allowing installer to disassemble unit into two 17-1/2" high components, coil casing and blower unit, for ease of installation, then reassemble in location.

TO DISASSEMBLE:

Remove both access panels and remove six screws holding coil casing to blower unit, lift blower unit from coil casing.

TO REASSEMBLE:

To attach coil casing to blower unit, make sure 3/4" flanges on back and sides of return air opening of blower casing are bent along perforated edge to inside of casing. Clearance holes in flange should match up with drive holes on inside of blower casing. Make sure 3/4" flanges on coil casing are bent up (back and 2 sides only) on supply air side of coil casing along perforated edge. Do not bend flange on front of coil casing. Set supply air side of coil casing (3/4" flanges) into return air opening of blower casing. Replace 6 - #8 screws through flange in coil casing, flange in blower casing and into drive holes on inside of blower casing, two screws in back and two screws in each side. Do not overtighten sheet metal screws, they will strip easily if overtightened.

IMPORTANT: Configure the unit with the indoor coil casing installed on air inlet (return) side of the blower section. Do not try to configure unit with indoor coil on discharge (supply) side of blower section.

2.7 VERTICAL UPFLOW

- Electrical connections can be made from either the left or right side of the unit. Refrigerant and condensate drain connections are made on the front of the unit (see Figures 3 & 4).
- If return air is to be ducted, install duct flush with floor. Use fireproof resilient gasket 1/8 to 1/4 in. thick between duct, unit and floor. Set unit on floor over opening.

WARNING

IF UNIT IS TO BE INSTALLED WITHOUT AN INDOOR COIL, RETURN DUCT OR PLENUM, IT MUST NOT BE INSTALLED DIRECTLY OVER COMBUSTIBLE MATERIAL. IF INSTALLED WITHOUT AN INDOOR COIL WITH A RETURN DUCT OR PLENUM, THE AIR PLENUM OR DUCT MUST HAVE A SOLID SHEET METAL BOTTOM WITH NO RETURN AIR OPENINGS, REGISTERS OR FLEXIBLE AIR DUCTS LOCATED DIRECTLY UNDER THE UNIT. EXPOSING COMBUSTIBLE MATERIAL TO THE RETURN OPENING OF AN UPFLOW UNIT WITHOUT AN INDOOR COIL CAN CAUSE A FIRE RESULTING IN PROPERTY DAMAGE, PERSONAL INJURY OR DEATH.

2.8 VERTICAL DOWNFLOW

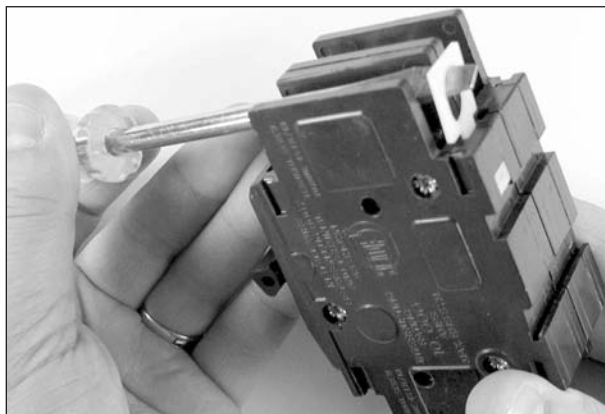
Conversion to Vertical Downflow: A vertical upflow unit may be converted to vertical downflow. (See Figure 3)

- Remove the indoor coil.
- Rotate unit into the downflow position, with the coil compartment on top and the blower compartment on bottom.

NOTE: In the vertical downflow position, the internal filter is no longer in the "toolless access" position, therefore the coil door must be removed for filter maintenance.

- Reinstall the indoor coil in its new position.
- Rotate the circuit breaker(s) 180° (see instructions for rotating breaker(s) that follow).

FIGURE 5
ROTATING CIRCUIT BREAKER



IMPORTANT: To comply with certification agencies and the National Electric Code, units with circuit breaker(s) on vertical units must have circuit breakers installed so that the breaker switch “on” position and marking is up and, “off” position and marking is down.

- To turn breaker(s): Rotate one breaker pair (circuit) at a time starting with the one on the right. Loosen both lugs on the load side of the breaker. Wires are bundles with wire ties, one bundle going to the right lug and one bundle going to the left lug.
 - Using a screwdriver or pencil, lift white plastic tab with hole away from breaker until breaker releases from mounting opening (see Figure 5).
 - With breaker held in hand, rotate breaker so that “on” position is up, “off” position is down with unit in planned vertical mounting position. Insert right wire bundle into top right breaker lug, ensuring all strands of all wires are inserted fully into lug, and no wire insulation is in lug.
 - Tighten lug as tight as possible while holding circuit breaker. Check wires and make sure each wire is secure and none are loose. Repeat for left wire bundle in left top circuit breaker lug.
 - Replace breaker by inserting breaker mounting tab opposite white pull tab in opening, hook mounting tab over edge in opening.
 - With screwdriver or pencil, pull white tab with hole away from breaker while setting that side of breaker into opening. When breaker is in place, release tab, locking circuit breaker into location in opening.
 - Repeat above operation for remaining breaker(s) (if more than one is provided).
 - Replace single point wiring jumper bar, if it is used, on line side of breaker and tighten securely.
 - Double check wires and lugs to make sure all are secure and tight. Check to make sure unit wiring to circuit breaker load lugs match that shown on the unit wiring diagram.
- Electrical connections can be made from either the left or right side of the unit. Refrigerant and condensate drain connections are made on the front of the unit (see Figure 4).
 - RXBB-AA combustible floor base is used for all unit sizes. Unit must be centered on combustible base in the width dimension (14³/₈”).

⚠ WARNING

THE RXBB-AA COMBUSTIBLE FLOOR BASE IS REQUIRED WHEN SOME UNITS WITH ELECTRIC HEAT ARE APPLIED DOWNFLOW ON COMBUSTIBLE FLOORING. FAILURE TO USE THE BASE CAN CAUSE A FIRE RESULTING IN PROPERTY DAMAGE, PERSONAL INJURY OR DEATH. SEE CLEARANCES FOR UNITS REQUIRING A COMBUSTIBLE FLOOR BASE.

⚠ WARNING

THE FIRST 36 INCHES OF SUPPLY AIR PLENUM AND DUCTWORK MUST BE CONSTRUCTED OF SHEET METAL AS REQUIRED BY NFPA 90B. THE SUPPLY AIR PLENUM OR DUCT MUST HAVE A SOLID SHEET METAL BOTTOM DIRECTLY UNDER THE UNIT WITH NO OPENINGS, REGISTERS OR FLEXIBLE AIR DUCTS LOCATED IN IT. IF FLEXIBLE SUPPLY AIR DUCTS ARE USED THEY MAY BE LOCATED ONLY IN THE VERTICAL WALLS, OF A RECTANGULAR PLENUM, A MINIMUM OF 6 INCHES FROM THE SOLID BOTTOM. METAL PLENUM OR DUCT MAY BE CONNECTED TO THE COMBUSTIBLE FLOOR BASE, IF NOT, IT MUST BE CONNECTED TO THE UNIT SUPPLY DUCT FLANGES SUCH THAT COMBUSTIBLE FLOOR OR OTHER COMBUSTIBLE MATERIAL IS NOT EXPOSED TO THE SUPPLY AIR OPENING FROM THE DOWNFLOW UNIT. EXPOSING COMBUSTIBLE (NON-METAL) MATERIAL TO THE SUPPLY OPENING OF A DOWNFLOW UNIT CAN CAUSE A FIRE RESULTING IN PROPERTY DAMAGE, PERSONAL INJURY OR DEATH.

EXCEPTIONS TO DOWNFLOW WARNINGS:

- INSTALLATIONS ON CONCRETE FLOOR SLAB WITH SUPPLY AIR PLENUM AND DUCTWORK COMPLETELY ENCASED IN NOT LESS THAN 2 INCHES OF CONCRETE (SEE NFPA 90B).
- INSTALLATIONS OF UNITS WITHOUT ELECTRIC HEATERS.

2.9 HORIZONTAL

Units with an "H" (left-hand air supply) in the airflow direction position in the model number have factory configured evaporator coils for installation in the horizontal position.

Conversion to Horizontal: A vertical upflow evaporator coil may be converted to horizontal by removing the indoor coil and installing horizontal drain pan on coil as shown for right hand or left hand air supply. Reinstall coil in unit as shown for right or left hand air supply. See Figures 6 & 7.

Conversion in Horizontal Direction: Evaporator coils configured for horizontal left-hand supply can be changed to horizontal right-hand supply by removing the indoor coil and installing the drain pan as shown in Figures 6 & 7 for appropriate air supply direction.

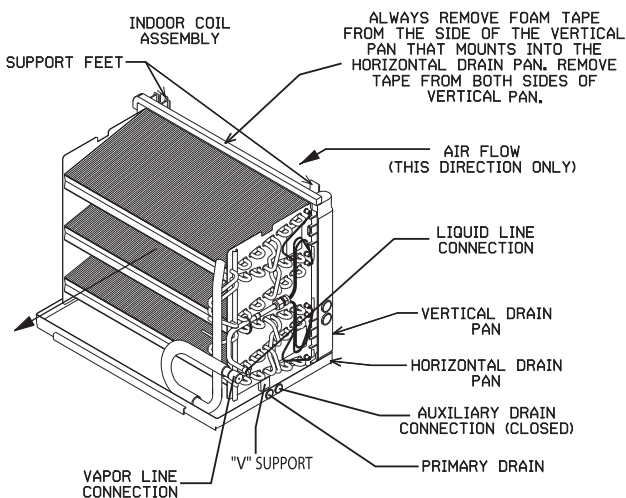
⚠ CAUTION

HORIZONTAL UNITS MUST BE CONFIGURED FOR RIGHT HAND AIR SUPPLY OR LEFT HAND AIR SUPPLY. HORIZONTAL DRAIN PAN MUST BE LOCATED UNDER INDOOR COIL. FAILURE TO USE THE DRAIN PAN CAN RESULT IN PROPERTY DAMAGE.

Horizontal Drain Pan Model RXBD-CB: This drain pan is used on all coil models and fits all unit sizes either right or left hand air supply.

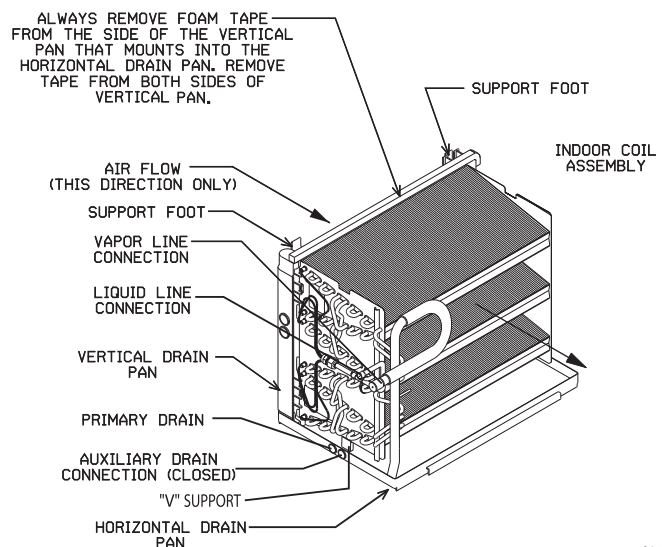
- Install horizontal drain pan as shown for right hand or left hand supply. Drain pan connections must be toward front of coil (header connection end). Install coil assembly

FIGURE 6
INDOOR COIL AND DRAIN PAN SET-UP
HORIZONTAL LEFT-HAND AIR SUPPLY



1156

FIGURE 7
INDOOR COIL AND DRAIN PAN SET-UP
HORIZONTAL RIGHT-HAND AIR SUPPLY



1156

into horizontal pan as shown with coil endplates fitting into “V” shaped supports in the front and back of the horizontal pan. Mounting tabs on vertical drain pan fit over the air inlet side of the horizontal pan with vertical pan inside horizontal drain pan. Horizontal pan must be under indoor coil when in the installed position. Note primary and auxiliary drain pan positions for horizontal right vs. horizontal left. Drain connection with 3/4” hole must be connected to primary drain. Connection with 3/8” knockout is the secondary drain connection.

Electrical connections may be made from the top or bottom of the unit. Refrigerant and condensate drain connections must be made on the front of the unit. (See unit dimensions and horizontal right hand supply and horizontal left hand supply, Figures 3, 6 & 7.)

IMPORTANT: Units cannot be installed horizontally laying on or suspended from the back of the unit. Horizontal units must be supported or suspended from one side or the other when in the horizontal position.

- Support along the length of the unit, all units installed horizontally. Do not support or suspend unit from both ends without support in the center of the cabinet. If unit is to be supported or suspended from corners, run two reinforcing rails length of unit and support or suspend from reinforcing rails.

NOTE: When converting a vertical upflow to horizontal, the foam tape must be removed from both sides of the vertical pan going into the horizontal pan. When converting a horizontal left-hand to horizontal right-hand, the foam tape must be moved to the appropriate location.

WARNING

THE SUPPLY AIR PLENUM OR DUCT MUST HAVE A SOLID SHEET METAL BOTTOM WITH NO SUPPLY AIR OPENINGS, REGISTERS OR FLEXIBLE AIR DUCTS LOCATED IN IT FOR THE FIRST 36 INCHES OF HORIZONTAL SURFACE ON UNITS WITH ELECTRIC HEATERS. FAILURE TO OBSERVE SUPPLY PLENUM, DUCT WARNINGS CAN CAUSE A FIRE RESULTING IN PROPERTY DAMAGE, PERSONAL INJURY OR DEATH.

3.0 ELECTRICAL WIRING

Field wiring must comply with the National Electric Code (C.E.C. in Canada) and any applicable local ordinance.

3.1 POWER WIRING

It is important that proper electrical power is available for connection to the unit model being installed. See the unit nameplate, wiring diagram and electrical data in the installation instructions.

- If required, install a branch circuit disconnect of adequate size, located within sight of, and readily accessible to the unit.
- Units with factory installed circuit breaker(s) meet UL and CSA requirements as a service disconnect and should make above requirement for a field installed branch circuit disconnect unnecessary.
- **IMPORTANT:** Units may be equipped with one, two, or three 60 amp. circuit breakers. These breaker(s) protect the internal wiring in the event of a short circuit and serve as a disconnect. Circuit breakers installed within the unit do not provide over-current protection of the supply wiring and therefore may be sized larger than the branch circuit protection.
- Supply circuit power wiring must be 75°C minimum copper conductors only. See electrical data for ampacity, wire size and circuit protector requirement. Supply circuit protective devices may be either fuses or “HACR” type circuit breakers.
- Power wiring may be connected to either the right or left side (vertical) top or bottom (horizontal). A 7/8”, 1-3/32” dia. concentric knockout is provided for connection of power wiring to unit. If a larger opening is required, dependent upon kW electric heat supplied, pull appropriate size hole required for conduit size being used. Using a conduit hole punch (Greenlee type), center punch using outside cabinet around 7/8” knockout as a template to center punch location and punch desired hole size. Holes may be punched for any size conduit up to a 2” hole for 1-1/2” conduit.
- Power wiring is connected to either the power terminal block or circuit breaker(s) in unit control compartment.
- Single phase units above 10.5 kW may be supplied with circuit breaker(s) requiring separate supply circuits. Units come standard with a jumper bar assembly connecting separate circuits into one single supply circuit (excluding 18 kW and 21 kW “C” voltage units).

- Jumper bar assemblies are connected to the line side lugs of the circuit breakers. Jumper bar is assembled for left (upflow) cabinet power wiring entrance. To convert to right (upflow) power entrance: Remove jumper cover, remove jumper bar from circuit breakers, remove screw on back holding left lug in upper hole to bar, reassemble lug in lower hole and retighten screw. Use the same procedure to move the right lug to the upper mounting hole. Reassemble jumper bar into circuit breakers and tighten lugs. Jumper bar is now ready for wiring from the opposite side.
- If a factory supplied jumper bar for single supply circuit is removed from unit to make multiple supply circuits the line side of the individual circuit breakers must be covered with finger safe covers. (See information on accessories for part numbers.)
- After wiring is complete, make sure finger safe cover(s) are replaced over circuit breaker(s) lugs covering lug where field connections are made. On units with jumper bar, make sure jumper bar cover is replaced and secured in place. Covers provided for jumper bar must have side of cover broken off on the side wiring has been connected so that field supply will clear under appropriate side of cover. Units with circuit breakers must have covers in place to meet requirements as a service disconnect.

3.2 CONTROL WIRING

IMPORTANT: Class 2 low voltage control wire should not be run in conduit with power wiring and must be separated from power wiring, unless class 1 wire of proper voltage rating is used.

- Low voltage control wiring should be 18 AWG color-coded (105°C minimum). For lengths longer than 100 ft., 16 AWG wire should be used.
- Control wiring should be routed through 1/2" dia. knockout near power wiring entrance on either left or right side of unit. After opening selected knockout, install bushing (supplied in parts bag) in openings.
- If control wiring is routed through right side (upflow), it must be routed through extruded holes in lower front of blower housing behind power raceway to the left side of blower housing. If routed through left side (upflow), it should be routed through extruded hole in lower front left blower side.
- Field control connections are made to terminals extending from left side of control compartment (upflow position).
- See wiring diagrams attached to indoor and outdoor sections to be connected, control wiring diagram booklet supplied with outdoor heat pump section, or Figures 8 and 9.
- Do not leave excess field control wiring inside unit, pull excess control wire to outside of unit and provide strain relief for field control wiring on inside of cabinet at point wiring penetrates cabinet.
- Make sure, after installation, separation of control wiring and power wiring has been maintained.

3.3 GROUNDING

WARNING

THE UNIT MUST BE PERMANENTLY GROUNDED. FAILURE TO DO SO CAN RESULT IN ELECTRICAL SHOCK CAUSING PERSONAL INJURY OR DEATH.

- Grounding may be accomplished by grounding metal conduit when installed in accordance with electrical codes to the unit cabinet.
- Grounding may also be accomplished by attaching ground wire(s) to ground lug(s) provided in the unit wiring compartment.
- Ground lug(s) are located close to wire entrance on left side of unit (upflow). Lug(s) may be moved to marked locations near wire entrance on right side of unit (upflow), if alternate location is more convenient.
- Use of multiple supply circuits require grounding of each circuit to lug(s) provided in unit.

3.4 COPPER WIRE SIZE - AWG. (3% VOLTAGE DROP)

SUPPLY WIRE	LENGTH	200 [61]	12	10	8	8	8	6	6	6	4	4	3	3	2	2	1	0	00
		150 [46]	12	10	10	10	8	8	8	6	6	4	4	3	3	2	1	0	00
		100 [30]	14	12	10	10	8	8	8	6	6	4	4	3	3	2	1	0	00
		50 [15]	14	12	10	10	8	8	8	6	6	4	4	3	3	2	1	0	00
		15	20	25	30	35	40	45	50	60	70	80	90	100	110	125	150	175	
		SUPPLY CIRCUIT AMPACITY NOTE: WIRE BASED ON COPPER CONDUCTORS 75°C MINIMUM RATING. FOR MORE THAN 3 CONDUCTORS IN A RACEWAY OR CABLE, SEE N.E.C. FOR DERATING THE AMPACITY OF EACH CONDUCTOR.																	

3.5 BLOWER MOTOR ELECTRICAL DATA: "A" VOLTAGE (115V)

MODEL SIZE/ELEC. DESIGNATION	VOLTAGE	PHASE	HERTZ	HP [W]	RPM	SPEEDS	CIRCUIT AMPS.	MINIMUM CIRCUIT AMPACITY	MAXIMUM CIRCUIT PROTECTOR
(-)BHP-17A00NH*	115	1	60	1/3 [249]	300-1100	5	3.3	4.8	15
(-)BHP-21A00NH*	115	1	60	1/2 [373]	300-1100	5	5.0	6.8	15
(-)BHP-24A00NH*	115	1	60	3/4 [559]	300-1100	5	5.8	8.4	15
(-)BHP-25A00NH*	115	1	60	3/4 [559]	300-1100	5	7.7	8.4	15

3.5 BLOWER MOTOR ELECTRICAL DATA: "J" VOLTAGE (208/240V)

MODEL SIZE/ELEC. DESIGNATION	VOLTAGE	PHASE	HERTZ	HP [W]	RPM	SPEEDS	CIRCUIT AMPS.	MINIMUM CIRCUIT AMPACITY	MAXIMUM CIRCUIT PROTECTOR
(-)BHP-17J00NH*	208/240	1	60	1/3 [249]	300-1100	5	2.8	2.0	15
(-)BHP-21J00NH*	208/240	1	60	1/2 [373]	300-1100	5	4.1	3.1	15
(-)BHP-24J00NH*	208/240	1	60	3/4 [559]	300-1100	5	6.0	4.2	15
(-)BHP-25J00NH*	208/240	1	60	3/4 [559]	300-1100	5	6.0	5.7	15

3.6 ELECTRIC HEAT ELECTRICAL DATA

Model Size/ Elec./KW Designation	Heater KW Volts 208/240	PH/HZ	Heater No./KW @ 240V	Type Supply Circuit Single Circuit Multiple Circuit	Circuit Amps.	Minimum Circuit Ampacity	Maximum Circuit Protector
(-)BHP-17J06SH*	3.7/4.9	1/60	2/2.5	Single Circuit	19.8/22.4	25/29	25/30
(-)BHP-17J07SH*	5.3/7.0	1/60	2/3.5	Single Circuit	27.5/31.2	35/39	40/40
(-)BHP-17J11SH*	7.5/10.0	1/60	3/3.3	Single Circuit	38.1/43.7	48/55	50/60
(-)BHP-21J06SH*	3.7/4.9	1/60	2/2.5	Single Circuit	20.9/23.5	27/30	30/30
(-)BHP-21J07SH*	5.3/7.0	1/60	2/3.5	Single Circuit	28.6/32.3	36/41	40/45
(-)BHP-21J11SH*	7.5/10.0	1/60	3/3.3	Single Circuit	39.2/44.8	49/56	50/60
(-)BHP-21J14SH*	10.5/14.0	1/60	4/3.5	Single Circuit	34.1/61.4	68/77	70/80
	5.3/7.0		2/3.5	Multiple Ckt. 1	28.6/32.3	36/41	40/45
	5.3/7.0		2/3.5	Multiple Ckt. 2	25.5/29.2	32/37	35/40
(-)BHP-24J06SH*	3.7/4.9	1/60	2/2.5	Single Circuit	22.0/24.6	28/31	30/35
(-)BHP-24J07SH*	5.3/7.0	1/60	2/3.5	Single Circuit	29.7/33.4	38/42	40/45
(-)BHP-24J11SH*	7.5/10.0	1/60	3/3.3	Single Circuit	40.3/45.9	51/58	60/60
(-)BHP-24J14SH*	10.5/14.0	1/60	4/3.5	Single Circuit	55.2/62.5	69/79	70/90
	5.3/7.0		2/3.5	Multiple Ckt. 1	29.9/33.4	38/42	40/45
	5.3/7.0		2/3.5	Multiple Ckt. 2	25.5/29.2	32/37	35/40
(-)BHP-24J18SH*	13.2/17.5	1/60	5/3.5	Single Circuit	67.7/77.1	85/97	90/100
	5.3/7.0		2/3.5	Multiple Ckt. 1	29.7/33.4	38/42	40/45
	7.9/10.5		3/3.5	Multiple Ckt. 2	39.0/43.8	48/55	50/60
(-)BHP-25J11SH*	7.5/10.0	1/60	3/3.3	Single Circuit	41.8/47.4	53/60	60/60
(-)BHP-25J14SH*	10.5/14.0	1/60	4/3.5	Single Circuit	56.7/64.0	71/81	80/90
	5.3/7.0		2/3.5	Multiple Ckt. 1	31.2/34.9	39/44	40/50
	5.3/7.0		2/3.5	Multiple Ckt. 2	25.5/29.2	32/37	35/40
(-)BHP-25J18SH*	13.2/17.5	1/60	5/3.5	Single Circuit	69.2/78.6	87/99	90/100
	5.3/7.0		2/3.5	Multiple Ckt. 1	31.2/39.9	39/44	40/45
	7.9/10.5		3/3.5	Multiple Ckt. 2	38.0/43.8	48/55	50/60
(-)BHP-25J21SH*	15.0/20.0	1/60	6/3.3	Single Circuit	77.8/88.0	98/112	100/125
	7.5/10.0		3/3.3	Multiple Ckt. 1	41.8/47.4	53/60	60/70
	7.5/10.0		3/3.3	Multiple Ckt. 2	36.1/41.7	46/53	50/60

Supply circuit protective devices may be fuses or "HACR" type circuit breakers. Largest motor load is included in single circuit and circuit 1 multiple circuit. If non-standard fuse size is specified, use next size larger standard fuse size.

FIGURE 8
TYPICAL THERMOSTAT WIRING – STRAIGHT COOLING WITH ELECTRIC HEAT

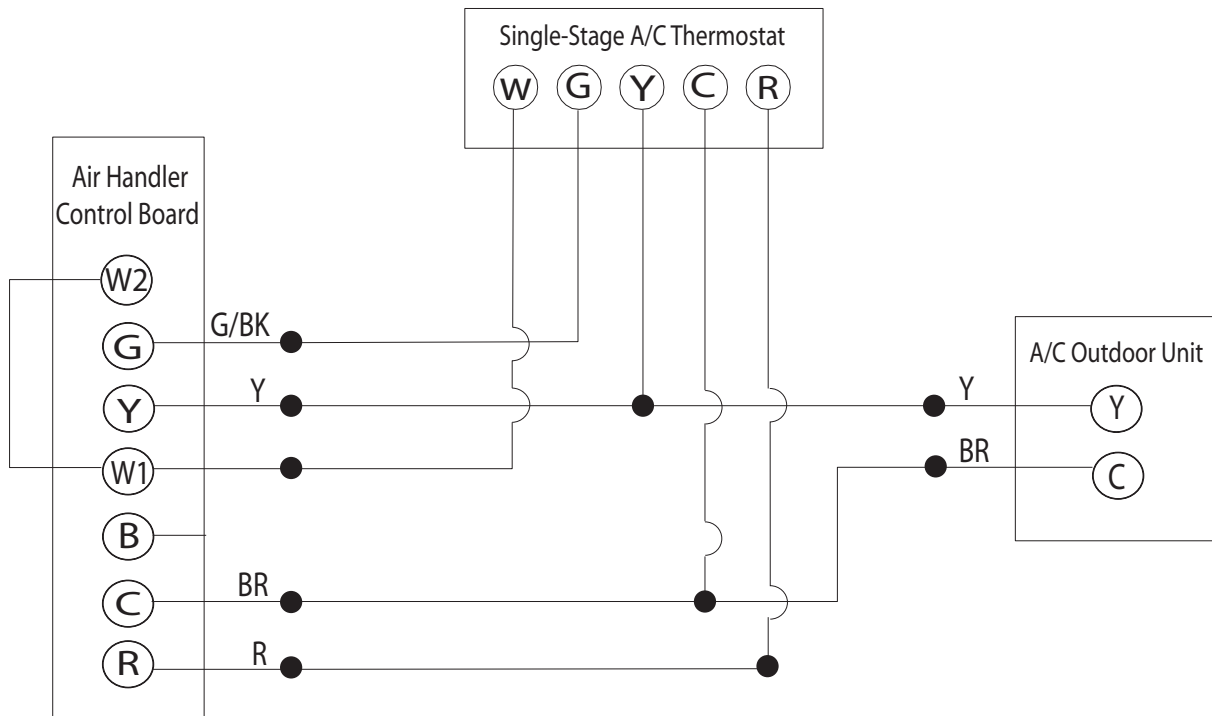
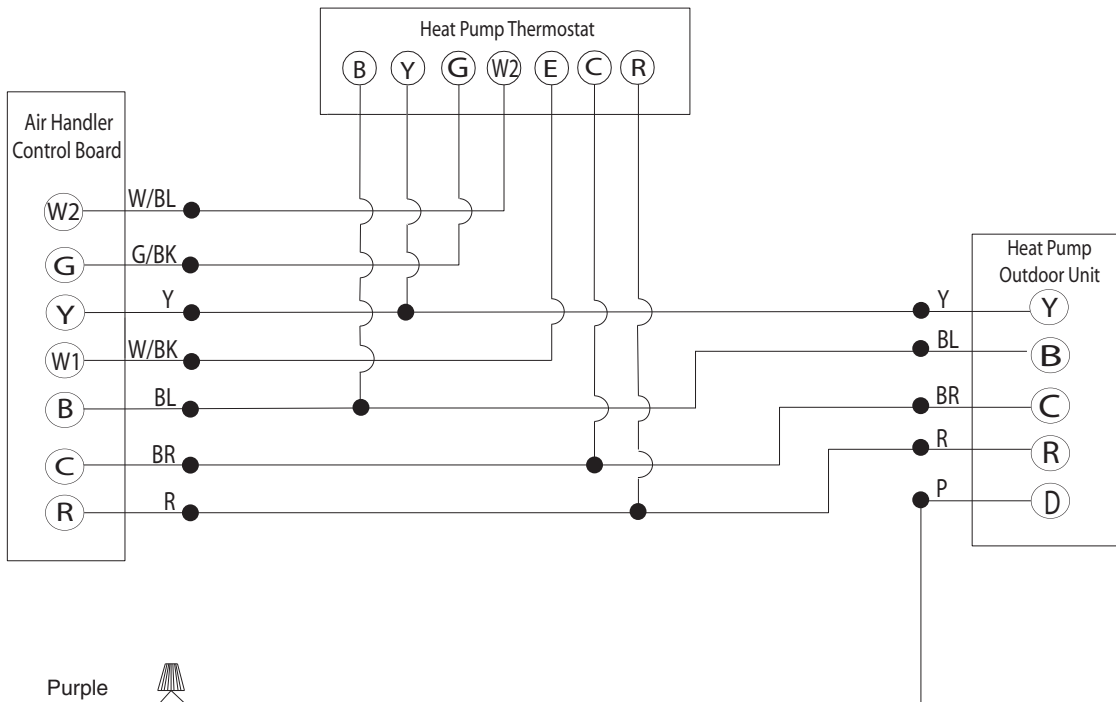


FIGURE 9
HEAT PUMP WITH ELECTRIC HEAT



4.0 DUCTWORK

Field ductwork must comply with the National Fire Protection Association NFPA 90A, NFPA 90B and any applicable local ordinance.

WARNING (SEE SPECIFIC AIRFLOW POSITION FOR ADDITIONAL WARNINGS)

UNITS ARE FOR DUCTED APPLICATIONS ONLY. A MINIMUM OF 36 INCHES OF SUPPLY AIR PLENUM AND DUCTWORK IS REQUIRED. NO SUPPLY AIR OPENINGS, REGISTERS OR FLEXIBLE AIR DUCTS MAY BE LOCATED WITHIN THE FIRST 36 INCHES OF SUPPLY PLENUM AND DUCTWORK ON UNITS WITH ELECTRIC HEATERS. FAILURE TO OBSERVE SUPPLY PLENUM/DUCT WARNINGS CAN CAUSE A FIRE RESULTING IN PROPERTY DAMAGE, PERSONAL INJURY OR DEATH.

Sheet metal ductwork run in unconditioned spaces must be insulated and covered with a vapor barrier. Fibrous ductwork may be used if constructed and installed in accordance with SMACNA Construction Standard on Fibrous Glass Ducts. Ductwork must comply with National Fire Protection Association as tested by U/L Standard 181 for Class I Air Ducts. Check local codes for requirements on ductwork and insulation.

- Duct system must be designed within the range of external static pressure the unit is designed to operate against. It is important that the system airflow be adequate. Make sure supply and return ductwork, grills, special filters, accessories, etc. are accounted for in total resistance. See airflow performance tables in this manual.
- Design the duct system in accordance with “ACCA” Manual “D” Design for Residential Winter and Summer Air Conditioning and Equipment Selection. Latest editions are available from: “ACCA” Air Conditioning Contractors of America, 1513 16th Street, N.W., Washington, D.C. 20036. If duct system incorporates **flexible air duct**, be sure **pressure drop** information (straight length plus all turns) shown in “ACCA” Manual “D” is accounted for in system.
- Supply plenum is attached to the 3/4” duct flanges supplied on the unit around the blower outlet. Flanges are flat for shipping purposes and must be bent up along perforated edge around blower opening. Be sure to bend flanges completely up so they do not interfere with air being discharged from blower.

IMPORTANT: Flanges around blower opening for attaching supply duct must be bent up out of blower discharge even if not used so they do not restrict airflow from blower.

- Supply plenum should be the same size as the flanges provided around the blower outlet. Ideally, it should extend 3 feet from the unit before turning or branching off plenum into duct runs. The plenum forms an extension of the blower housing and minimizes air expansion losses from the blower. Changing the size, shape or length will degrade blower performance. If supply discharges directly into a larger duct or plenum as much as .1” W.C., static pressure will be lost. If 3 feet is not possible, even 6, 12 or 18 inches will help.

IMPORTANT: If an elbow is included in the plenum close to the unit, it must not be smaller than the dimensions of the supply duct flange on the unit.

- Some units with electric heaters require 1 in. clearance to supply plenum and branch ducts to combustible material for the first 3 feet from the unit. See CLEARANCES.
- A 3/4” return duct flange is supplied on all sides of the air inlet opening of the unit coil casing. If the unit is to be installed without a coil casing (no indoor coil), a 3/4” flange is supplied on the back and sides of the air inlet opening of the blower casing. No flange is provided on the front of the opening to the blower casing. If return duct is attached to the inlet of the blower casing, the front flange of the duct should be run up into the opening or 90° brake made on the front flange to tape to the front of the blower casing.
- **IMPORTANT: The front flange on the return duct if connected to the blower casing must not be screwed into the area where the power wiring is located. Drills or sharp screw points can damage insulation on wires located inside unit.**
- Return duct flanges on blower or coil casing are flat for shipping purposes and must be bent out along perforated edge around opening.
- Secure the supply and return ductwork to the unit flanges, using proper fasteners for the type of duct used and tape the duct-to-unit joint as required to prevent air leaks.

5.0 REFRIGERANT CONNECTIONS

Keep coil connections sealed until refrigerant connections are to be made. See outdoor unit manual for details on line sizing, tubing installation, evacuation and charging information.

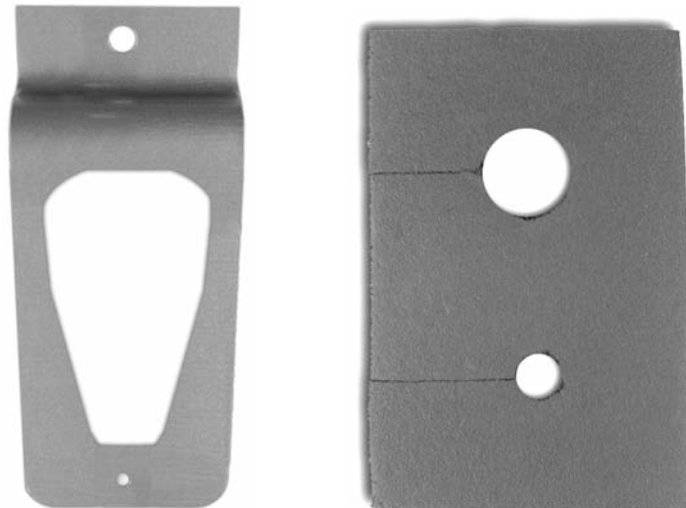
- To install the refrigerant connections, first install the refrigerant block-off plate (located in the Parts Bag, see Figure 10) around the refrigerant connections. Braze all fittings. When refrigerant lines have cooled, insert the foam gasket (located in the parts bag, see Figure 10) around the refrigerant lines, between the coil and the refrigerant block-off plate.

IMPORTANT: The refrigerant block-off plate MUST be installed around the refrigerant connections before brazing.

- When making braze connections close to outside of cabinet, use a brazing shield to protect cabinet paint from being damaged from torch flame.
- If the installation is in a tight location, it might be convenient to make some external tubing connections before setting unit in place.

IMPORTANT: Install refrigerant tubing so it does not block service access to front of unit. 24 in. clearance is required for filter, coil or blower removal and service access.

FIGURE 10
REFRIGERANT BLOCK-OFF PLATE AND FOAM GASKET



5.1 FLOWCHECK PISTONS

See outdoor unit installation instructions for correct flowcheck piston sizes and proper piston installation instructions.

- Indoor coil piston size is indicated by the digits underscored in the indoor coil model number.

IMPORTANT: It is important that the proper piston sizes be used dependent on indoor coil, outdoor unit combination and application.

6.0 CONDENSATE DRAIN TUBING

Consult local codes or ordinances for specific requirements that may apply.

- The coil door is shipped from the factory with the condensate drain knockout attached. Knockout must be removed and the condensate block-off plate (included in parts bag, see Figure 11) must be installed to access the front drain.
- Vertical units (vertical drain pan) are supplied with a 3/4" female pipe thread primary drain connection and a 3/4" female pipe thread auxiliary drain connection. (See unit dimensions figures for drain locations.)

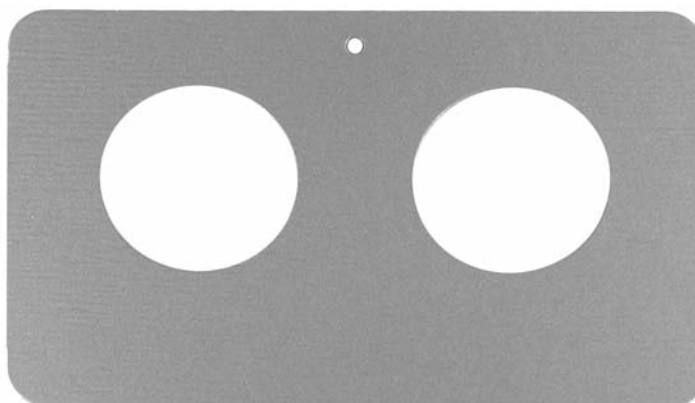
IMPORTANT: All drain connections on vertical drain pans have a plastic web covering opening. Connection(s) used must be broken out before connection(s) are made. Break out only connection(s) to be used.

- Horizontal units (horizontal drain pan) are supplied with a 3/4" female pipe thread primary drain connection and a 3/4" female pipe thread auxiliary drain connection. (See unit dimensions and position figures for drain locations).

IMPORTANT: All horizontal pans have plastic web over the secondary drain connection. Plastic web covering secondary connection must be broken out if used. Secondary connection is lowered by 3/8". Do not get primary and secondary connections interchanged.

- Removal of door knockouts required for drain connections can be made much easier with the door removed from the cabinet.
- Install drain lines so they do not block service access to front of unit. 24 in. clearance is required for filter, coil or blower removal and service access.
- Make sure unit is level or pitched slightly toward primary drain connection so that drain pan will drain completely without water standing in pan.

FIGURE 11
CONDENSATE BLOCK-OFF PLATE



IMPORTANT: 2-6" PVC lengths are provided for making drain connection. When making drain fitting connections to drain pan, use a thin layer of teflon paste, silicone or teflon tape and install hand tight.

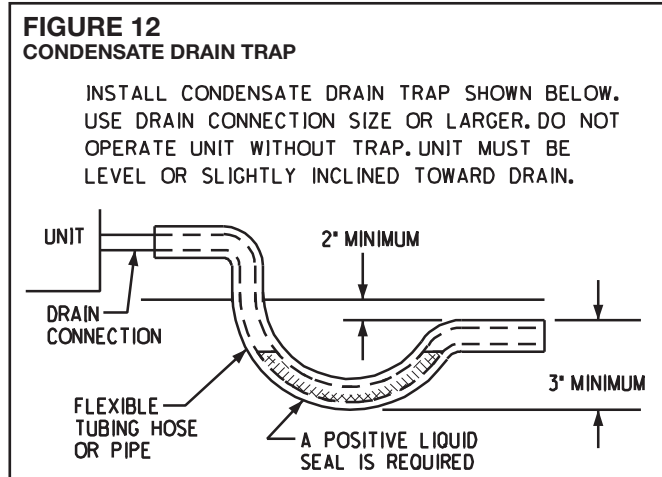
IMPORTANT: When making drain fitting connections to drain pan, do not over torque. Overtorquing fittings can split pipe connections on drain pan.

- Do not reduce drain line size less than connection size provided on condensate drain pan.
- All drain lines must be pitched downward away from the unit a minimum of 1/8 in. per foot of line to ensure proper drainage.
- Do not connect condensate drain line to a closed or open sewer pipe. Run condensate to an open drain or outdoors.
- The drain line should be insulated where necessary to prevent sweating and damage due to condensate forming on the outside surface of the line.

- Make provisions for disconnecting and cleaning of the primary drain line should it become necessary.
- Install a 2 in. trap in the primary drain line as close to the unit as possible. Make sure that the top of the trap is below connection to the drain pan to allow complete drainage of pan.

IMPORTANT: Do not operate unit without a drain trap (see Figure 12). The condensate drain is on the negative side of the blower, therefore, air being pulled in through the condensate line will prevent positive drainage without a proper trap.

- Auxiliary drain if used should be run to a place where it will be noticeable if it become operational. Occupant should be warned that a problem exists if water should begin running from the auxiliary drain line.
- Test condensate drain pan and drain line after installation is complete. Pour several quarts of water into drain pan, enough to fill drain trap and line. Check to make sure drain pan is draining completely, no leaks are found in drain line fittings, and water is draining from the termination of the primary drain line.



7.0 AIR FILTER

The unit internal air filter should only be used if the unit is readily accessible for filter cleaning or replacing.

- If unit is not readily accessible for filter maintenance, a remote filter should be installed in the return air system.
- If a remote filter is installed, it should be sized for a maximum of 300 feet/min. air velocity for the CFM required..

IMPORTANT: Do not operate system without a filter. A filter is required to protect the coil, blower and internal parts from excessive dirt and dust.

- See unit position figures for location of filter in unit cabinet and service panel giving access to unit filter.

8.0 AIRFLOW PERFORMANCE

Airflow performance data is based on cooling performance with a coil and filter in place. Select performance table for appropriate unit size, voltage and number of electric heaters to be used. Make sure external static applied to unit allows operation within the minimum and maximum limits shown in table on next page for both cooling and electric heat operation. For optimum blower performance, operate the unit in the .2" to .5" in. W.C. external static range. In general, the indoor motor speed tap should be as shown in table for the appropriate cooling capacity shown. Always check to make sure proper motor speed tap is connected as units are shipped from the factory connected for high speed operation (Speed Tap 5).

8.1 AIRFLOW OPERATING LIMITS

Model/Cabinet Size	17		21		24		25	
Cooling BTU/H Cooling Tons Nominal	18000 1.5	24000 2	30000 2.5	36000 3	42000 3.5	48000 4	60000 5	60000 5
Heat Pump or Air Conditioning Maximum Heat/Cool CFM (37.5 CFM/1,000 BTUH) (450 CFM/Ton Nominal)	675	900	1125	1350	1575	1800	2025	2250
Heat Pump or Air Conditioning Nominal Heat/Cool CFM (33.3 CFM/1,000 BTUH) (400 CFM/Ton Nominal)	600	800	1000	1200	1400	1600	1800	2000
Heat Pump or Air Conditioning Minimum Heat/Cool CFM (30.0 CFM/1,000 BTUH) (360 CFM/Ton Nominal)	540	720	900	1080	1260	1440	1620	1800
Maximum kW Electric Heating & Minimum Electric Heat CFM	11 560	11 560	14 900	14 1220	18 1220	18 1220	25 1460	21 1460
Maximum Electric Heat Rise °F	85	85	70	70	65	65	65	65

See Airflow Performance Data for recommended blower motor speed.

8.2 AIRFLOW PERFORMANCE DATA

Model Cabinet Size	Tonnage	Electric Heaters	Blower Motor		CFM [L/s] (Watts)/External Static Pressure-Inches W.C. [kPa] with filter & indoor coil									
			Nominal Speed Tap	Volts	0.1 [.02]	0.2 [.05]	0.3 [.07]	0.4 [.10]	0.5 [.12]	0.6 [.15]	0.7 [.17]	0.8 [.20]	0.9 [.23]	1.0 [.25]
-17	1.5-ton Air Flow	none	2	208/240	659 [311] (74)	625 [294] (80)	581 [274] (84)	539 [254] (88)	-	-	-	-	-	-
		none	3	208/240	790 [372] (98)	759 [358] (105)	722 [340] (113)	687 [324] (119)	650 [306] (126)	615 [290] (131)	573 [270] (139)	552 [260] (145)	507 [239] (150)	460 [217] (155)
		3 (max.)	2	208/240	649 [306] (79)	615 [290] (84)	571 [269] (88)	529 [249] (92)	-	-	-	-	-	-
		3 (max.)	3	208/240	773 [365] (110)	736 [347] (113)	699 [330] (118)	677 [320] (126)	640 [302] (132)	605 [286] (141)	563 [266] (146)	542 [256] (154)	497 [235] (157)	450 [212] (162)
		none	2	115	651 [307] (76)	627 [295] (82)	583 [275] (86)	541 [255] (90)	-	-	-	-	-	-
		none	3	115	776 [366] (105)	743 [351] (109)	724 [342] (118)	687 [324] (122)	658 [311] (131)	617 [291] (136)	595 [281] (144)	555 [262] (148)	517 [244] (152)	460 [217] (162)
	2.0-ton Air Flow	none	4	208/240	844 [398] (141)	819 [386] (146)	799 [377] (155)	764 [360] (160)	-	-	-	-	-	-
		none	5	208/240	958 [452] (162)	934 [440] (172)	914 [431] (176)	888 [419] (186)	855 [403] (189)	816 [380] (210)	785 [370] (204)	760 [358] (214)	708 [334] (223)	672 [317] (226)
		3 (max.)	4	208/240	834 [393] (146)	809 [381] (150)	789 [372] (159)	754 [355] (164)	-	-	-	-	-	-
		3 (max.)	5	208/240	946 [446] (179)	922 [435] (189)	902 [426] (193)	876 [413] (203)	843 [398] (206)	804 [380] (216)	773 [365] (221)	748 [353] (231)	696 [328] (240)	660 [311] (243)
		none	4	115	846 [399] (143)	821 [387] (148)	801 [378] (157)	766 [361] (162)	-	-	-	-	-	-
		none	5	115	964 [455] (167)	945 [446] (178)	914 [431] (181)	888 [419] (191)	861 [406] (196)	821 [387] (205)	787 [372] (210)	761 [359] (218)	726 [342] (220)	690 [326] (230)
-21	2.5-ton Air Flow	none	2	208/240	1068 [504] (138)	1041 [491] (147)	1001 [472] (153)	972 [458] (161)	-	-	-	-	-	-
		none	3	208/240	1187 [560] (180)	1162 [548] (188)	1125 [530] (192)	1099 [518] (200)	1058 [499] (208)	1013 [478] (215)	982 [463] (223)	951 [448] (232)	899 [424] (234)	855 [403] (237)
		4 (max.)	2	208/240	1035 [488] (143)	1007 [475] (152)	966 [455] (158)	936 [441] (169)	-	-	-	-	-	-
		4 (max.)	3	208/240	1157 [546] (182)	1132 [534] (192)	1095 [517] (198)	1069 [505] (209)	1028 [485] (218)	983 [464] (228)	952 [449] (239)	921 [435] (250)	869 [410] (255)	825 [389] (262)
		none	2	115	1070 [504] (138)	1043 [492] (147)	1004 [473] (153)	974 [459] (161)	-	-	-	-	-	-
		none	3	115	1138 [537] (175)	1113 [525] (186)	1075 [507] (191)	1053 [497] (203)	1004 [474] (210)	957 [451] (216)	932 [440] (226)	901 [425] (231)	855 [404] (242)	800 [378] (252)
	3.0-ton Air Flow	none	4	208/240	1269 [598] (207)	1236 [583] (219)	1174 [554] (226)	1149 [542] (236)	-	-	-	-	-	-
		none	5	208/240	1397 [659] (287)	1377 [649] (307)	1346 [635] (317)	1318 [622] (320)	1291 [609] (322)	1264 [596] (319)	1234 [582] (312)	1190 [561] (326)	1155 [545] (351)	1126 [531] (368)
		4 (max.)	4	208/240	1241 [585] (222)	1208 [570] (234)	1174 [554] (241)	1149 [542] (251)	-	-	-	-	-	-
		4 (max.)	5	208/240	1366 [645] (302)	1346 [635] (313)	1315 [621] (323)	1287 [608] (331)	1260 [595] (341)	1233 [582] (346)	1203 [568] (358)	1159 [547] (371)	1124 [530] (381)	1095 [517] (387)
		none	4	115	1269 [598] (207)	1236 [583] (219)	1174 [554] (226)	1149 [542] (236)	-	-	-	-	-	-
		none	5	115	1370 [646] (292)	1343 [634] (302)	1309 [618] (309)	1285 [607] (319)	1258 [594] (330)	1221 [576] (336)	1182 [558] (348)	1147 [542] (357)	1117 [527] (366)	1080 [510] (375)

8.2 AIRFLOW PERFORMANCE DATA – continued

-24	3.5-ton Air Flow	none	2	208/240	1438 [678] (205)	1409 [664] (217)	1375 [648] (229)	1341 [632] (252)	-	-	-	-	-	-
		none	3	208/240	1568 [740] (279)	1538 [725] (290)	1507 [711] (303)	1471 [694] (313)	1435 [677] (333)	1403 [662] (338)	1362 [642] (358)	1318 [622] (365)	1287 [607] (374)	1250 [589] (405)
		5 (max.)	2	208/240	1414 [667] (230)	1384 [653] (242)	1350 [637] (254)	1315 [620] (277)	-	-	-	-	-	-
		5 (max.)	3	208/240	1548 [730] (304)	1518 [716] (316)	1487 [701] (328)	1451 [684] (338)	1415 [667] (358)	1383 [653] (368)	1342 [633] (388)	1298 [612] (395)	1267 [597] (409)	1230 [580] (455)
		none	2	115	1448 [683] (205)	1419 [669] (217)	1385 [653] (229)	1351 [637] (252)	-	-	-	-	-	-
		none	3	115	1559 [735] (294)	1527 [720] (308)	1497 [706] (322)	1466 [691] (335)	1431 [675] (349)	1378 [650] (367)	1349 [636] (379)	1306 [606] (393)	1271 [599] (406)	1250 [589] (417)
	4.0-ton Air Flow	none	4	208/240	1640 [773] (311)	1604 [757] (326)	1587 [748] (335)	1559 [735] (376)	-	-	-	-	-	-
		none	5	208/240	1789 [844] (413)	1762 [831] (427)	1731 [816] (433)	1699 [801] (449)	1667 [786] (462)	1635 [771] (482)	1602 [756] (498)	1546 [729] (516)	1515 [715] (529)	1465 [691] (542)
		5 (max.)	4	208/240	1613 [761] (331)	1574 [742] (346)	1557 [734] (355)	1529 [721] (396)	-	-	-	-	-	-
		5 (max.)	5	208/240	1759 [830] (433)	1732 [817] (447)	1701 [802] (453)	1669 [787] (469)	1637 [772] (482)	1605 [757] (502)	1572 [741] (518)	1516 [715] (536)	1485 [700] (549)	1435 [677] (562)
		none	4	115	1642 [774] (311)	1606 [757] (326)	1589 [749] (335)	1561 [736] (376)	-	-	-	-	-	-
		none	5	115	1811 [854] (423)	1791 [845] (436)	1760 [830] (451)	1730 [816] (464)	1700 [802] (479)	1669 [787] (492)	1606 [757] (516)	1573 [742] (529)	1538 [725] (542)	1462 [689] (555)
-25	5.0-ton Air Flow	none	2	208/240	1872 [883] (373)	1837 [866] (393)	1798 [848] (407)	1763 [832] (419)	-	-	-	-	-	-
		none	3	208/240	2075 [979] (497)	2036 [960] (511)	2017 [951] (533)	1984 [936] (553)	1944 [917] (563)	1910 [901] (582)	1889 [891] (599)	1846 [871] (617)	1805 [851] (626)	1783 [841] (638)
		5 (max.)	2	208/240	1831 [854] (393)	1795 [847] (413)	1756 [828] (427)	1720 [811] (439)	-	-	-	-	-	-
		5 (max.)	3	208/240	2043 [964] (517)	2004 [945] (531)	1985 [936] (553)	1951 [920] (573)	1912 [901] (583)	1878 [886] (602)	1857 [876] (619)	1814 [856] (637)	1773 [836] (646)	1751 [826] (658)
		none	2	115	1872 [883] (373)	1837 [866] (393)	1798 [848] (407)	1763 [832] (419)	-	-	-	-	-	-
		none	3	115	2075 [979] (497)	2036 [960] (511)	2017 [951] (533)	1984 [936] (553)	1944 [917] (563)	1910 [901] (582)	1889 [891] (599)	1846 [871] (617)	1805 [851] (626)	1783 [841] (638)
		none	4 or 5	208/240	2102 [992] (550)	2072 [977] (568)	2042 [963] (584)	2011 [949] (593)	1974 [931] (610)	1949 [919] (631)	1916 [904] (644)	1884 [889] (662)	1851 [873] (669)	1810 [854] (692)
		5 (max.)	4 or 5	208/240	2070 [976] (560)	2040 [962] (578)	2010 [948] (594)	1979 [933] (613)	1942 [916] (620)	1917 [904] (641)	1884 [889] (654)	1852 [874] (672)	1819 [858] (679)	1778 [839] (702)
		none	4 or 5	115	2102 [992] (550)	2072 [977] (568)	2042 [963] (584)	2011 [949] (593)	1974 [931] (610)	1949 [919] (631)	1916 [904] (644)	1884 [889] (662)	1851 [873] (669)	1810 [854] (692)

X-13 NOTES (X-13 Motor Speed Changes)

X-13 Motors require no voltage change between 208 and 240 volts.

If application exceeds 0.5" of static, adjust the motor speed to the high static speed as described below:

All X-13 motors have 5 speed tabs. Speed tab 1 is for continuous fan. Speed 2 (Low static) and speed tab 3 (High Static) are lower tonnage. Speed tab 4 (Low static) and Speed tab 5 (High static) are for higher tonnage.

The lower static speed 2 (lower tonnage) and speed tab 4 (Higher tonnage) are used for external static below 0.5"

For external static exceeding 0.5", move the blue wire from the x-13 motor to appropriate high static speed tab 3 (Lower tonnage) or speed tab 5 (Higher tonnage)

9.0 SEQUENCE OF OPERATION

9.1 Cooling (cooling only or heat pump)

- When the thermostat “calls for cooling,” the circuit between R, G and Y is completed, causing the blower to energize. This circuit also closes the contactor (CC) in the outdoor unit starting the compressor (COMP) and outdoor fan motor (OFM).

9.2 Heating (electric heat only)

- When the thermostat “calls for heat,” the circuit between R and W₁ is completed, and the heater sequencer (HR₁) is energized. A time delay will follow then: The heating elements (HE) and the indoor blower motor (IBM) will come on. Units with a second heater sequencer (HR₂) can be connected with the first sequencer (HR₁) to W on the thermostat sub-base or connected to a second stage W₂ on the sub-base. W₁ on the furnace board MUST be connected for heating blower operation.

9.3 Heating (heat pump)

- When the thermostat “calls for heat,” the circuits between R and G are completed. Circuit R and B energizes the reversing valve (RV) switching it to the heating position (remains energized as long as system switch is in “heat” position). Circuit R and Y energizes the contactor (CC) starting the outdoor fan motor (OFM), compressor (COMP), and the indoor blower motor (IBM).
- If the room temperature should continue to fall, circuit R and W₂ is completed by the second-stage heat room thermostat. Circuit R-W₂ energizes a heat sequencer (HR₁). The completed circuit will energize supplemental electric heat. Units with a second heater sequencer (HR₂) can be connected with first sequencer (HR₁) to W₂ on thermostat or connected to a third heating stage W₃ on the thermostat sub-base. A light on the thermostat indicates when supplemental heat is being energized.

9.4 WATT RESTRICTOR (Heating - Heat Pump)

- Heat pump air handlers with supplemental electric heat above a specific kW dependent on unit size and total heater kW are equipped with a patented watt restrictor. Models so equipped are Cabinet Model Size -14 with more than 6 kW Cabinet Model Size -17, -21 and -24 with more than 11 kW Watt restrictor (WR) may directly control a heater element in the heater circuit or may be in the control circuit controlling heater sequencer (HR₂) indirectly controlling two or three heater elements (HE) (see unit wiring diagram).
- The watt restrictor (WR) will restrict the amount of supplemental electric heat that can be energized dependent on the heat output of the heat pump (temperature of the air leaving the indoor heat pump coil).

Since the heat output of the heat pump is dependent upon the outdoor air temperature, this control performs the same function as a field installed outdoor thermostat.

An additional benefit of the watt restrictor is that it can sense a degradation in heat pump performance due to causes other than outdoor temperature and react accordingly to bring on more supplemental electric heat.

9.5 DEFROST SEQUENCE

- For sequence of operation for defrost controls, see outdoor heat pump installation instructions.
- Supplemental heat during defrost can be provided by connecting the purple (PU) pigtail in the outdoor unit to P on the indoor unit control board. This will complete the circuit between R and W through a set of contacts in the defrost relay (DR) when the outdoor heat pump is in defrost. This circuit, if connected, will temper air being discharged from the indoor unit during defrost.
- Defrost heat control (DHC) is wired in series in the circuit described above on units where the supplemental heat is more than would be required to offset the defrost cooling capacity. Defrost heat control (DHC) is provided on the same models described above having watt restrictors.
- When the outdoor unit goes into defrost, the circuit between R and W is completed through a set of contacts on the defrost relay (DR) in series with the contacts on the defrost heat control (DHC). Purple (PU) pigtails on the indoor unit and outdoor units must be connected to make circuit. During defrost, the defrost heat control (DHC) senses the air temperature leaving the indoor unit and cycles the supplemental electric heat to maintain comfort (75° to 85°) air temperature and prevent objectionable cold air during defrost. This limits the electric heat output to the minimum required, to conserve energy and prevent the thermostat from being satisfied with electric heat and preventing completion of the defrost cycle.

- For most economical operation, if cold air is not of concern during defrost, the purple wire can be left disconnected. Supplemental heat will only be energized by a call from second stage room thermostat.

9.6 EMERGENCY HEAT (Heating of Heat Pump)

- If selector switch on thermostat is set to the emergency heat position, the heat pump will be locked out of the heating circuit, and all heating will be electric heat. Jumper should be placed between W₂ and E on the thermostat sub-base so that the electric heat control will transfer to the first stage heat on the thermostat. This will allow the indoor blower to cycle on and off with the electric heat when the fan switch is in the auto position.

9.7 ROOM THERMOSTAT (ANTICIPATOR SETTING)

See instructions with outdoor section, condensing unit or heat pump for recommended room thermostats.

- On units with one electric heat sequencer (HR₁) (see wiring diagram on unit), heat anticipator setting should be .16.
- On units with two electric heat sequencers (HR₁ & HR₂) (see wiring diagram on unit), heat anticipator setting should be .32 if both are connected to same stage on thermostat. Setting should be .16 if (HR₁ & HR₂) are connected to separate stages.
- The thermostat should be mounted 4 to 5 feet above the floor on an inside wall of the living room or a hallway that has good air circulation from the other rooms being controlled by the thermostat. It is essential that there be free air circulation at the location of the same average temperature as other rooms being controlled. Movement of air should not be obstructed by furniture, doors, draperies, etc. The thermostat should not be mounted where it will be affected by drafts, hot or cold water pipes or air ducts in walls, radiant heat from fireplace, lamps, the sun, T.V. or an outside wall. See instruction sheet packaged with thermostat for mounting and installation instructions.

NOTE: Some thermostats, particularly solid-state digital types, contain fixed, non-adjustable heat anticipators and adjustment is not permitted.

10.0 CALCULATIONS

10.1 CALCULATING TEMPERATURE RISE

- The formula for calculating air temperature rise for electric resistance heat is:

$$\text{Temperature Rise } ^\circ\text{F} = \frac{3.16 \times \text{Watts}}{\text{CFM}}$$

Where: 3.16 = Constant, CFM = Airflow

10.2 CALCULATING BTUH HEATING CAPACITY

- The formula for calculating BTUH heating capacity for electric resistance heat is:

$$\text{BTUH Heating} = \text{Watts} \times 3.412$$

Where: 1 kW = 1000 Watts, 3.412 = Btuh/Watt

10.3 CALCULATING AIRFLOW CFM

- The formula for calculating airflow using temperature rise and heating BTUH for units with electric resistance heat is:

$$\text{CFM} = \frac{\text{Heating BTUH}}{1.08 \times \text{Temp. Rise}}$$

10.4 CALCULATING CORRECTION FACTOR

- For correction of electric heat output (kW or BTUH) or temperature rise at voltages other than rated voltage multiply by the following correction factor:

$$\text{Correction Factor} = \frac{\text{Applied Voltage}^2}{\text{Rated Voltage}^2}$$

11.0 PRESTART CHECKLIST

PRE-START CHECK	
<input type="radio"/> YES <input type="radio"/> NO	Is unit properly located, level, secure and service-able?
<input type="radio"/> YES <input type="radio"/> NO	Has auxiliary pan been provided under the unit with separate drain? (Units installed above a finished ceiling).
<input type="radio"/> YES <input type="radio"/> NO	Is condensate line properly sized, run, trapped, pitched and tested?
<input type="radio"/> YES <input type="radio"/> NO	Have the supply duct flanges on the unit been turned up?
<input type="radio"/> YES <input type="radio"/> NO	Is ductwork correctly sized, run, taped and insulated?
<input type="radio"/> YES <input type="radio"/> NO	have all cabinet openings and wiring been sealed with caulking?
<input type="radio"/> YES <input type="radio"/> NO	Is the indoor coil flowcheck piston and valve size correct?
<input type="radio"/> YES <input type="radio"/> NO	Is the filter clean, in place and of adequate size?
<input type="radio"/> YES <input type="radio"/> NO	Is the wiring tight, correct and to the wiring diagram?
<input type="radio"/> YES <input type="radio"/> NO	Is the unit properly grounded and protected (fuse)?
<input type="radio"/> YES <input type="radio"/> NO	Is the thermostat heat anticipator been set properly?
<input type="radio"/> YES <input type="radio"/> NO	Is the unit circuit breaker(s) rotated properly "on" up - "off" down?
<input type="radio"/> YES <input type="radio"/> NO	Are the unit circuit breaker(s) line lug cover(s) in place?
<input type="radio"/> YES <input type="radio"/> NO	Are all access panels in place and secure?
Refer to outdoor unit installation instructions for system start-up instructions and refrigerant charging instructions.	

12.0 MAINTENANCE

For continuing high performance, and to minimize possible equipment failure, it is essential that periodic maintenance be performed on this equipment. Consult your local dealer as to the proper frequency of maintenance and the availability of a maintenance contract.

IMPORTANT: Before performing any service or maintenance procedures, see "WARNINGS" in SECTION 1.0 SAFETY INFORMATION in these installation instructions.

WARNING

UNITS WITH CIRCUIT BREAKER(S) MEET REQUIREMENTS AS A SERVICE DISCONNECT SWITCH, HOWEVER, IF ACCESS IS REQUIRED TO THE LINE SIDE (COVERED) OF THE CIRCUIT BREAKER, THIS SIDE OF THE BREAKER(S) WILL BE ENERGIZED WITH THE BREAKER(S) DE-ENERGIZED. CONTACT WITH THE LINE SIDE CAN CAUSE ELECTRICAL SHOCK RESULTING IN PERSONAL INJURY OR DEATH.

12.1 AIR FILTER

Check the system filter every ninety days or as often as found to be necessary and if obstructed, clean or replace at once.

IMPORTANT: Do not operate the system without a filter in place.

- The filter in the unit is a cleanable type. Clean filter using cold water and allow filter to dry. no oiling or coating of the filter is required or recommended.
- New filters to replace those supplied in unit are available from your local distributor.

TO ACCESS AIR FILTER:

1. Locate thumb screws on filter access door and remove.
 2. Remove filter access door by tilting it down from the top.
 3. Slide filter out.
- Internal filter is NOT used in downflow air configuration.

12.2 INDOOR COIL - DRAIN PAN - DRAIN LINE

Inspect the indoor coil once each year for cleanliness and clean as necessary. It is necessary to remove the filter and check the return air side of the coil for debris.

- Generally, the coil can be easily cleaned when it is dry. If the coil is coated with dirt or lint, blow compressed air or nitrogen through the supply side of the coil fins blowing dirt or lint from the return air side of the coil onto the filter or cardboard placed between filter and coil. Be sure lint and dirt is removed from the filter and return air system.
- If the coil is coated with oil or grease, clean it with a mild detergent and water solution. Rinse the coil thoroughly with clear water. Be careful not to splash water excessively into unit and system.
- Inspect the drain pan and condensate drain at the same time the cooling coil is checked. Clean the drain pan and condensate drain by removing any foreign matter from the pan. Flush the pan and drain tube with clear water.
- If the drain tube is restricted, it can generally be cleaned with high pressure water. Remove the drain line from the unit away from the pan and coil to clear the drain line.

IMPORTANT: Do not use caustic household drain cleaners in the condensate pan or near the indoor coil. Drain cleaners will quickly damage the indoor coil.

12.3 BLOWER MOTOR AND WHEEL

Inspect the blower motor and wheel for cleanliness. With the system air filter in place, it should be several years before it would become necessary to clean the blower motor and wheel.


- If it becomes necessary to remove the blower assembly from the unit, see instructions on removal and disassembly of motor, blower and heater parts.
- The blower motor and wheel may be cleaned by using a vacuum with a soft brush attachment. Remove grease with a mild solvent such as hot water and detergent. Be careful not to disturb the balance weights (clips) on the blower wheel blades. Do not drop or bend wheel as balance will be affected.

12.4 LUBRICATION

The blower motor sleeve bearings are pre-lubricated by the motor manufacturer and do not have oiling ports. Motor should be run for an indefinite period of time without additional lubrication.

12.5 BLOWER ASSEMBLY REMOVAL AND REPLACEMENT

Removing the blower assembly is not required for normal service and maintenance. Removal is necessary for replacement of components such as motor, blower wheel and electric heater(s). After extended use, removal of the blower assembly may become necessary for a thorough cleaning of the blower motor and wheel.

 WARNING
<p>IF REMOVAL OF THE BLOWER ASSEMBLY IS REQUIRED, ALL DISCONNECT SWITCHES SUPPLYING POWER TO THE AIRHANDLER MUST BE DE-ENERGIZED AND LOCKED (IF NOT IN SIGHT OF UNIT) SO THE FIELD POWER WIRES CAN BE SAFELY REMOVED FROM THE BLOWER ASSEMBLY. FAILURE TO DO SO CAN CAUSE ELECTRICAL SHOCK RESULTING IN PERSONAL INJURY OR DEATH.</p>

- Mark field power supply wiring (for replacement) attached to terminal block or circuit breaker(s) on blower assembly. Remove wiring from terminal block or circuit breaker(s).
- Mark low voltage control wiring (for replacement) where attached to unit control terminals on left side of blower housing.
- Remove two screws holding blower assembly to front channel of cabinet and pull blower assembly from cabinet.
- To replace blower assembly, slide blower assembly into blower deck. Make sure blower assembly engages lances in deck properly. If assembly hangs up, check to make sure top and bottom are lined up in proper locations.
- Slide blower assembly to back of cabinet and make sure it is completely engaged.
- Replace two screws holding blower assembly to front channel of cabinet. Take care not to strip screws, just snug into place.
- Replace low voltage control wiring with wire nuts and make sure wiring is to wiring diagram and a good connection has been made.
- Replace field power wiring to terminal block or circuit breaker(s) on control area of blower assembly. Make sure wires are replaced as they were, check wiring diagram if necessary. Tighten supply power wiring securely to terminals lugs.
- Make sure wiring is within cabinet and will not interfere with access door. Make sure proper separation between low voltage control wiring and field power wiring has been maintained.
- Replace blower assembly control access panel before energizing equipment.

12.6 ELECTRIC HEATER REPLACEMENT

With the blower assembly removed, electric heater(s) can be removed and replaced from the blower housing without disturbing the motor or blower wheel.

- Remove both wires from the heater to be removed and remove three screws from outside of blower wrap holding heater brackets to blower wrap.
- One screw is located under the control mounting plate and is a little difficult to get at. A 1/4" box end or open end wrench should be used to remove and replace this screw
- With three screws removed, lift heater element and heater terminals through mounting holes in top of blower wrap.
- Lift heater from blower wrap and with terminal end of heater headed for blower cut off and to the outside of the blower side, remove heater.
- To replace the heater element, reverse the above process to replace heater.
- Make sure bend on heater near terminals end is down in place flush or below outlet flanges on blower assembly. Replace screws in heater brackets and tighten.
- Make sure terminals on heater are straight with at least 1/2" clearance to control mounting plate and 1/2" clearance to access panel. Use a straight edge across front flanges on blower assembly to check clearance (bend if necessary for proper clearance).
- Replace wiring, make sure connections are tight and are made in accordance with the unit wiring diagram.

12.7 MOTOR REPLACEMENT

With the blower assembly removed, the indoor blower motor can be removed and replaced using the following procedure:

- Remove motor leads from the motor high and low voltage plugs. Note the lead locations for ease of re-assembly.
- Loosen the set screw holding the blower wheel onto the motor shaft. The shaft extends through the blower hub so that a wrench can be used on the extended shaft to break the shaft loose if necessary. Be careful not to damage the shaft. Use a wheel puller on the groove in the hub if necessary.

- Loosen the bolt holding the wire motor band around the motor shell and pull the motor from the motor mount. Note the motor position in the mount for re-assembly.
- To re-assemble, insert the motor shaft through the hub in the blower wheel and orient the motor to original position.
- For proper motor cooling, it is important that the motor be mounted the same as the original, as far into the blower as practical.
- The dimension from the face of the motor end plate (shaft end) to the first wire on the motor mount band around the shell should be:

1.25" for (-)BHP-17

1.25" for (-)BHP-21

1.25" for (-)BHP-24

1.5" for (-)BHP-25

- With motor held to above position and motor lead plugs oriented to the original position (the wire connectors on the motor must point straight to the supply air end of the unit and away from the return air [filter] end of the unit). Securely tighten the bolt on the mount band to the motor shell.
- Turn the motor shaft so that the flat on the shaft is located under blower wheel setscrew, and the blower wheel is centered in the blower housing with the same distance on each side between the inlet venturi and the outside of the blower wheel.
- Re-assemble the motor wiring (high and low voltage plugs) into the motor.

IMPORTANT: DO NOT FORCE POWER PLUG INTO THE MOTOR CONNECTOR BACKWARDS. The A.C. power plug to the motor has locking tabs. It has been proven that by applying excessive force to the A.C. cable half of the connector it is possible to force the connector in backwards. It will not seat and "click" properly but will make connection. If A.C. power is applied with the connector reversed the motor will be immediately destroyed.

13.0 REPLACEMENT PARTS

Any replacement part used to replace parts originally supplied on equipment must be the same as or an approved alternate to the original part supplied. The manufacturer will not be responsible for replacement parts not designed to physically fit or operate within the design parameters the original parts were selected for.

These parts include but are not limited to: Circuit breakers, heater controls, heater limit controls, heater elements, motor, motor capacitor, blower relay, control transformer, blower wheel, filter, indoor coil and sheet metal parts.

When ordering replacement parts, it is necessary to order by part number and include with the order the complete model number and serial number from the unit data plate. (See parts list for unit component part numbers).

14.0 ACCESSORIES-KITS-PARTS

- **Combustible Floor Base RXBB-AA (for standard units)** for downflow applications, see section of this manual covering combustible floor base.

NOTE: not applicable to high-heat air handlers with open-wire elements.

- **Jumper Bar Kit 3 Ckt. to 1 Ckt. RXBJ-A31** is used to convert single phase multiple three circuit units to a single supply circuit. Kit includes cover and screw for line side terminals.
- **Jumper Bar Kit 2 Ckt. to 1 Ckt. RXBJ-A21** is used to convert single phase multiple two circuit units to a single supply circuit. Kit includes cover and screw for line side terminals.

NOTE: No jumper bar kit is available to convert three phase multiple two circuit units to a single supply circuit.

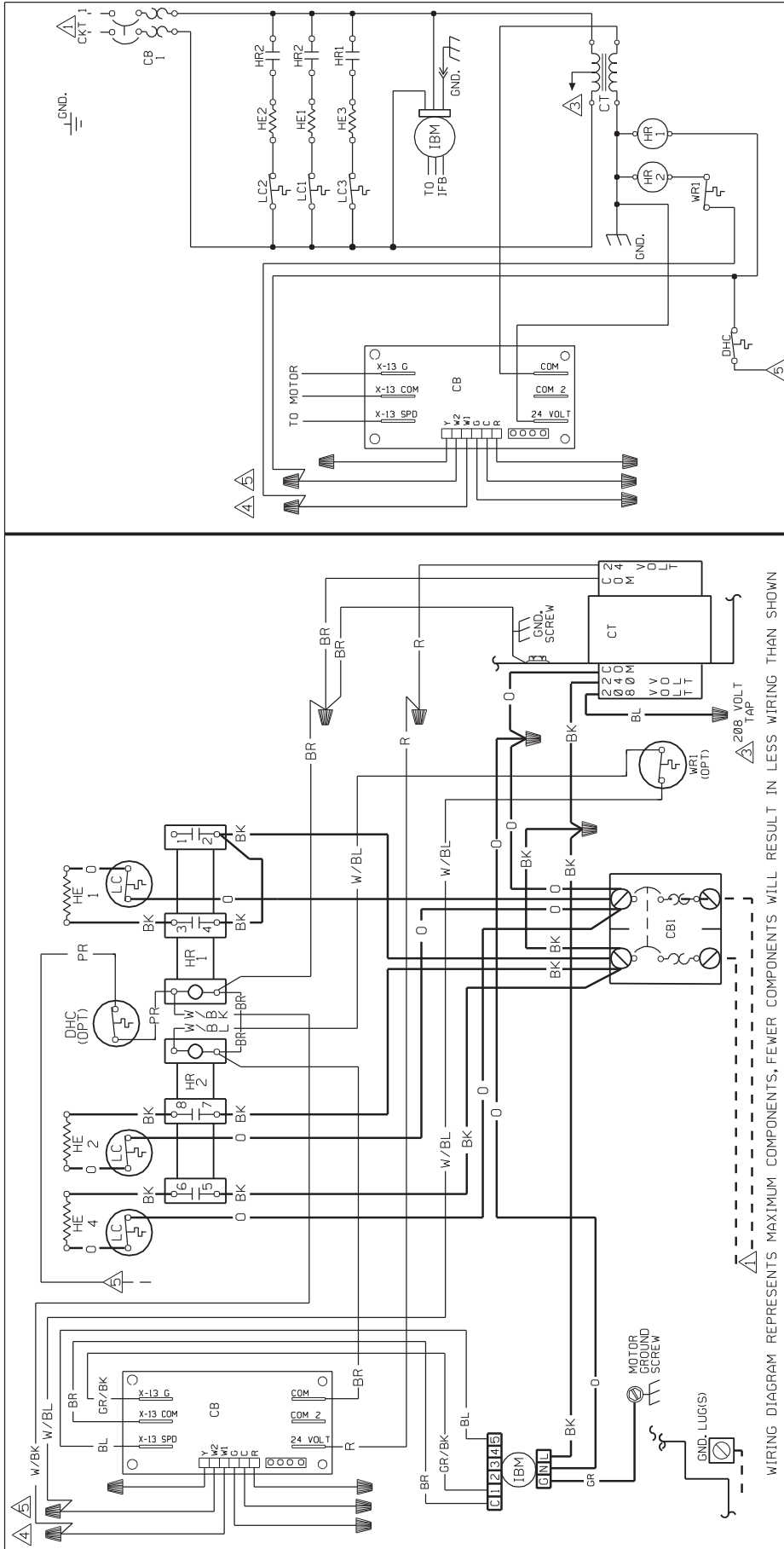
If a factory supplied jumper bar for single supply circuit is removed from unit to make multiple supply circuits, the line side of the circuit breakers must be covered with finger safe covers. Each circuit breaker pole must be covered with a finger safe cover.

- **Finger Safe Circuit Breaker Cover - Part number 45-23203-01.** One is required for each circuit breaker pole, if jumper bar is removed to provide multiple supply circuits.
- **Replacement Filters**

<u>Model Cabinet Size</u>	<u>Filter Size</u>	<u>Part Number</u>
-17	16.25 x 21	54-23217-02
-21	19.75 x 21	54-23217-03
-24	23.25 x 21	54-23217-04
-25	23.25 x 21	54-23217-04

- **Evaporator Coil Horizontal Drain Pan Model RXBD-CB:** all unit sizes. See section of this manual covering horizontal drain pan.
- **External Auxiliary Horizontal Drain Pan RXBM-AA06** - Fits all models.

FIGURE 13
WIRING DIAGRAM



<p>WIRING INFORMATION</p> <p>LINE VOLTAGE -FACTORY STANDARD -FACTORY OPTION -FIELD INSTALLED</p> <p>LOW VOLTAGE -FACTORY STANDARD -FACTORY OPTION -FIELD INSTALLED</p> <p>REPLACEMENT WIRE -MUST BE THE SAME SIZE AND TYPE OF INSULATION AS ORIGINAL (105 C MIN.)</p> <p>WARNING -CABINET MUST BE PERMANENTLY GROUNDED AND CONFORM TO I.E.C., N.E.C., C.E.C., AND LOCAL CODES AS APPLICABLE.</p>	<p>WIRE COLOR CODE</p> <p>BK BLACK BR BROWN BL BLUE G GREEN</p> <p>GY GRAY O ORANGE PK PINK PR PURPLE</p> <p>R RED W WHITE Y YELLOW</p>
<p>NOTES:</p> <p>1. CONNECT SUPPLY WIRING FOR VOLTAGE, PHASE AND HERTZ SHOWN ON RATING PLATE.</p> <p>2. SUPPLY WIRE MUST BE RATED AT 75° C MIN. SEE INSTRUCTIONS FOR SIZE.</p> <p>3. CT SINGLE TAP TRANSFORMER</p> <p>4. CONTROL WIRING TO THERMOSTAT SUB-BASE.</p> <p>5. CONTROL WIRING TO OUTDOOR UNIT.</p> <p>6. FOR USE WITH COPPER CONDUCTORS ONLY.</p>	<p>ELECTRICAL WIRING DIAGRAM</p> <p>J11S</p> <p>DR. BY MGR APP. BY DATE 2-21-06 DWG. NO. 910-102268-04 REV 03</p>
<p>COMPONENT CODE</p> <p>C MOTOR CONTROL PLUG CB CONTROL BOARD CT CONTROL TRANSFORMER GND GROUND IBM INDOOR BLOWER MOTOR P MOTOR POWER PLUG PFC MOTOR POWER PLUG TB TERMINAL BLOCK (4H VOLT) ▲ WIRE NUT</p> <p>DWG. NO. 910-102268-04 REV 03</p>	<p>WIRING DIAGRAM REPRESENTS MAXIMUM COMPONENTS, FEWER COMPONENTS WILL RESULT IN LESS WIRING THAN SHOWN</p>