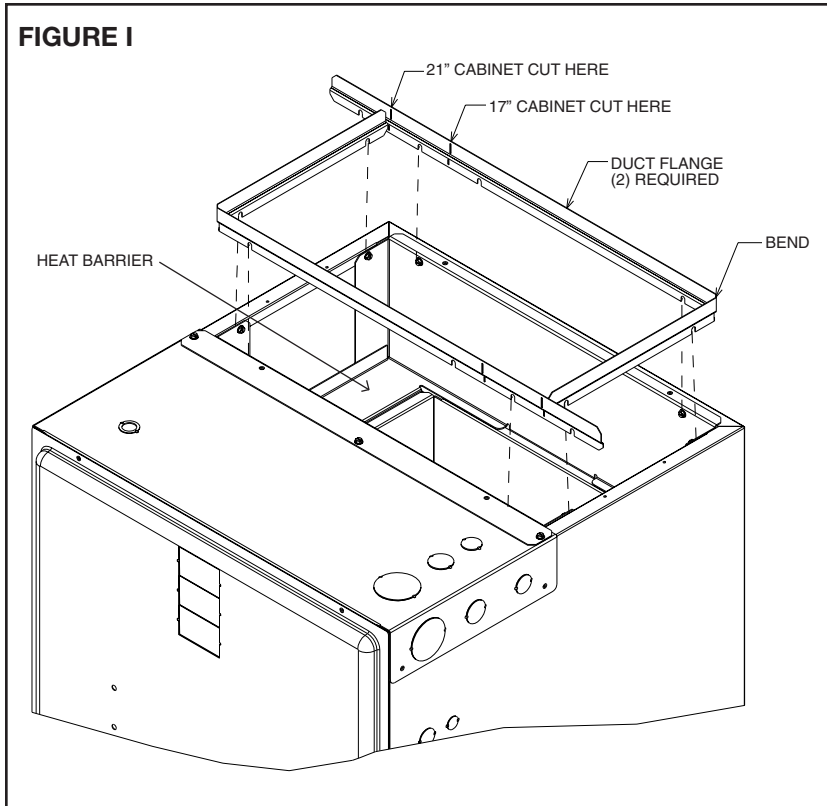


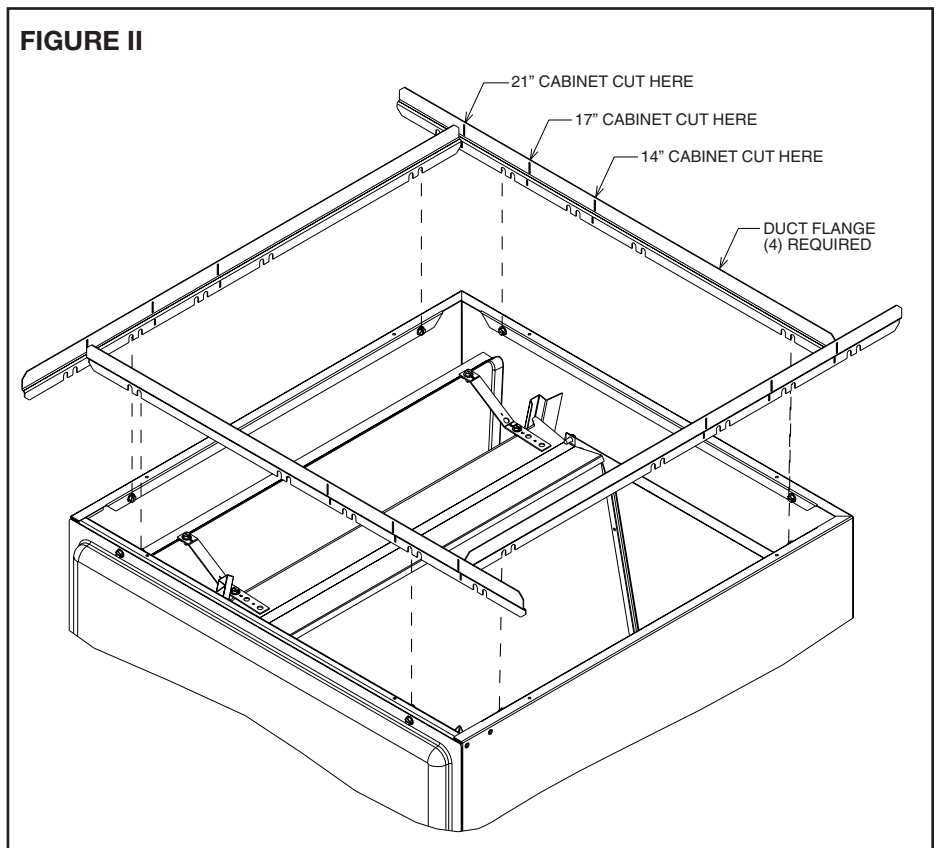
INSTALLATION INSTRUCTIONS FOR UNIVERSAL DUCT FLANGES

Air Handler duct flange installation.



1. Loosen the screws attaching the heat barrier to cabinet.
2. Form a 90-degree bend with the short leg length at approximately 9.9". The duct flanges are made for 24.5" cabinet. For 17.5" and 21" wide cabinets, cut the long leg as marked on Figure I to match the cabinet width.
3. Slide the duct flanges onto the loosened screws. Retighten all the screws.

Cased Coil duct flange installation.



1. The duct flanges are made for 24.5" wide cabinet. For 14", 17.5" and 21" wide cabinets, cut the flange as marked on Figure II to match the cabinet width.
2. Since all cabinets have the same depth, cut the flange at the 21" marker to match the cabinet depth.
3. Screw the flanges to the cabinet as shown on Figure II.