

INSTALLATION INSTRUCTIONS

WHITE RODGERS 36E36, 36E37, 36E23 AND 36F23 GAS VALVES

USED ON GAS/ELECTRIC ROOFTOPS WITH DIRECT SPARK IGNITION

**THIS KIT NUMBER EP84W OR EP84W-H IS FOR
CONVERTING FROM NATURAL GAS TO PROPANE GAS**

 Recognize this symbol as an indication of Important Safety Information!

PARTS LIST		
DESCRIPTION	PART NUMBER	EP76W
Conversion Kit Index	92-21519-47 (or -48)	1
Installation Instructions	92-22999-31	1
Conversion Label	92-18153-06	3
Conversion Kit #92-0659 (White Rodgers)	60-21193-01	1
Orifice - Burner (#54)	62-21551-54	6
Orifice - Burner (#55)	62-21551-55	6
Orifice - Burner (3/64)	62-21551-13	6

WARNING

THIS CONVERSION KIT IS TO BE INSTALLED BY A QUALIFIED SERVICE PROFESSIONAL IN ACCORDANCE WITH THE MANUFACTURER'S INSTRUCTIONS AND ALL CODES AND REQUIREMENTS OF THE AUTHORITY HAVING JURISDICTION. FAILURE TO FOLLOW INSTRUCTIONS CAN RESULT IN FIRE OR EXPLOSION CAUSING PROPERTY DAMAGE, SEVERE PERSONAL INJURY OR DEATH. THE QUALIFIED SERVICE PERSONNEL PERFORMING THIS WORK ASSUMES RESPONSIBILITY FOR THIS CONVERSION.

IMPORTANT: DAMAGE TO THE PRODUCT RESULTING FROM FAILURE TO FOLLOW INSTRUCTIONS OR USE OF UNAUTHORIZED PARTS MAY BE EXCLUDED FROM THE MANUFACTURER'S PRODUCT WARRANTY COVERAGE.

IMPORTANT NOTE FOR ALTITUDES ABOVE 2,000 FEET:

There are three sizes of main burner orifices in this kit. These orifice sizes will cover all models installed at 0 - 2000 feet (0 - 610 meters) in the USA and Canada and all factory derated high altitude models installed in Canada at 2000 - 4500 feet (610 - 1373 meters). Refer to Chart III in the Conversion Kit Index (92-21519-47) included with this kit to select the correct orifice size for the nameplate heating input, elevation, and country (USA or Canada) of the furnace to be converted. Orifices for elevations over 2000 feet (610 meters) in the USA must be obtained through the Parts Department if they are not included with this kit..

IN USA: All gas piping must comply with the latest NFPA 54 National Fuel Gas Code and all state and local codes. All electrical wiring must comply with the latest NFPA 70, National Electrical Code and all state and local codes.

IN CANADA: All gas piping must comply with the latest CAN 1-B149-1 & 2 installation codes for gas burning appliances and all provincial and local codes. All electrical wiring must comply with the Canadian Electrical Code, Part 1 - CSA Standard C22.1 and all provincial and local codes.

KIT INSTALLATION (SEE ILLUSTRATION, PAGE 2)

WARNING

TURN OFF ELECTRICAL POWER AND TURN OFF MAIN GAS SUPPLY BEFORE BEGINNING MODIFICATION. FAILURE TO DO SO CAN CAUSE ELECTRICAL SHOCK, EXPLOSION OR FIRE RESULTING IN PROPERTY DAMAGE, PERSONAL INJURY OR DEATH.

1. Remove furnace/controls compartment access panel.
2. Disconnect gas line at union ahead of combination gas valve.
3. **If the unit being converted is a NOx model, follow steps "A" through "D" below and then continue with step #4. If the unit being converted is not a NOx model, skip to step #4 now.**
 - A. This furnace does not require the stainless steel inserts located in the entrance of the tubular exchangers to meet SCAQMD NOx emission levels when operating on L.P. gas. These inserts and 1/8" diameter retaining rod should be carefully removed before firing this furnace on L.P. gas. This furnace is not designed to operate on L.P. gas with the NOx inserts in place.
 - B. To remove inserts, remove the burner tray assembly. The NOx inserts will follow the burner tray assembly

out as they are hooked over the 1/8" diameter retaining rod.

- C. Discard the NOx inserts and rod.
- D. Replace the burner tray assembly.
- 4. Remove screws that attach gas manifold to burner tray and remove gas manifold.
- 5. Each one of the burner orifices must be removed from the gas manifold and replaced with an orifice from the envelope marked with the proper orifice size to convert unit to operate on Propane Gas. Refer to Chart III in the Conversion Kit Index (92-21519-47 or -48) included with this kit) and verify the correct burner orifice size required. Open the burner orifice envelope marked with the orifice drill size required. **Note: See altitude note above.**
- 6. Replace regulator spring in the gas valve with the L.P. regulator spring included in the White Rodgers envelope kit #92-0659. Refer to the instructions included in the envelope.
- 7. Reattach gas manifold to burner tray.
- 8. Reconnect gas line at union.

NOTE: A pipe compound resistant to the action of liquefied petroleum gases must be used at all threaded pipe connections.

- 9. Reconnect all wiring previously disconnected. Refer to wiring diagram on the back side of the unit control box cover.
- 10. Turn on gas and electrical supply.
- 11. Check unit thoroughly for gas leaks with soap and water.

▲ WARNING

DO NOT USE AN OPEN FLAME TO CHECK FOR LEAKS. USE OF AN OPEN FLAME CAN CAUSE AN EXPLOSION OR FIRE RESULTING IN PROPERTY DAMAGE, SEVERE PERSONAL INJURY OR DEATH.

- 12. Follow lighting instructions to put furnace into operation. **Manifold gas pressure must be adjusted to 10' W.C. after gas valve is converted to L.P. gas with the fur-**

nace in operation and proper gas supply pressure. The gas supply line pressure should be between 11" AND 14" W.C. at the appliance.

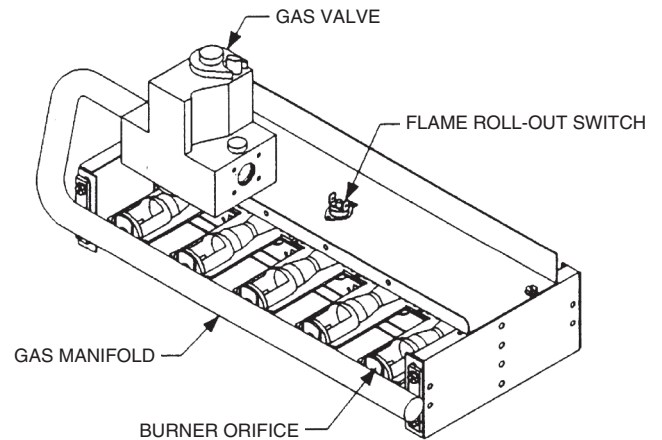
- 13. Operate thermostat to check unit operation for ignition and extinction characteristics.

COMPLETING CONVERSION

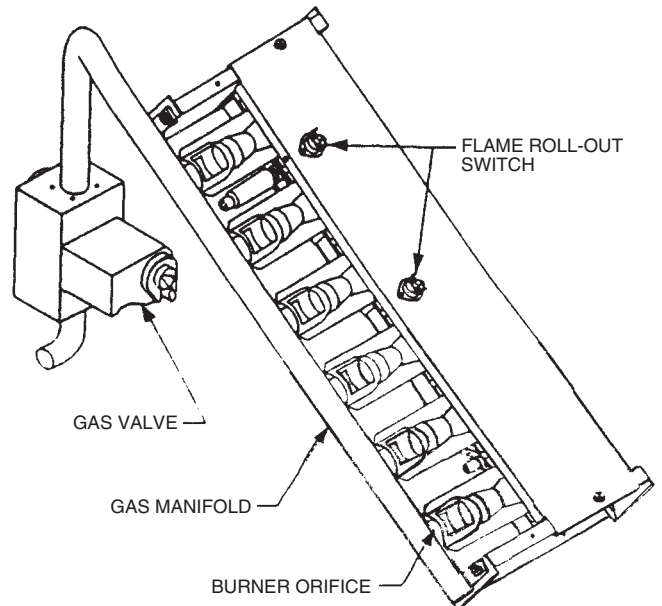
- 1. Select the appropriate conversion label (included with kit) that corresponds to the orifice size actually used in this conversion.
- 2. Place completed conversion label adjacent to the rating plate.

ATTENTION: DO NOT REMOVE OR DEFACE ORIGINAL RATING PLATE.

- 3. Place label "ATTENTION: THIS VALVE HAS BEEN CONVERTED FOR USE WITH LP GAS" onto the gas valve.
- 4. Install the burner compartment access door.
- 5. Run furnace through a complete cycle to assure proper operation.



OR



GAS CONTROL & BURNER ORIFICE LOCATIONS FOR VARIOUS ROOFTOP MODELS

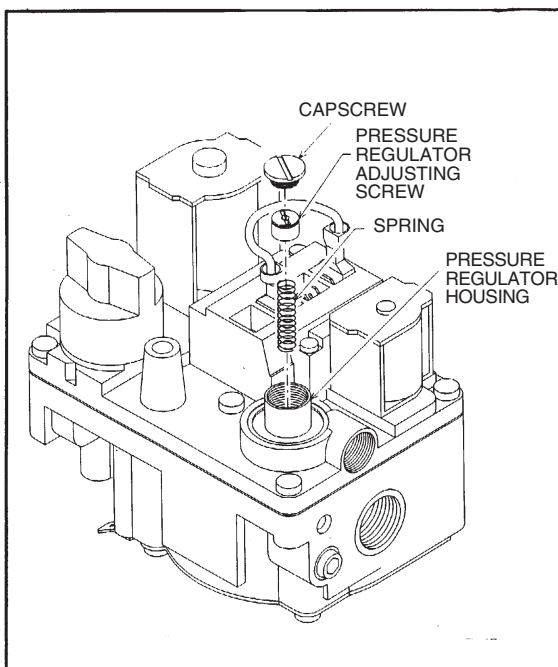


ILLUSTRATION FOR CONVERTING WHITE RODGERS 36E36 GAS VALVE