

INSTALLATION INSTRUCTIONS

RXGF-CB UPFLOW BOTTOM/HORIZONTAL MOUNT, UPFLOW HORIZONTAL MOUNT EXTERNAL FILTER KIT

IMPORTANT

TO INSURE PROPER INSTALLATION AND OPERATION OF THIS PRODUCT, COMPLETELY READ ALL INSTRUCTIONS PRIOR TO ATTEMPTING TO ASSEMBLE, INSTALL, OPERATE, MAINTAIN OR REPAIR THIS PRODUCT. UPON UNPACKING OF FILTER KIT, INSPECT ALL PARTS FOR DAMAGE PRIOR TO INSTALLATION AND START-UP. **FILTER NOT INCLUDED.**

1. Using the screws provided, assemble the filter frame kit as shown in **Figure 1**.
2. **NOTE:** The width of the filter frame is adjustable by moving the front and rear slides as shown in **Figure 1**. This is so the same filter frame can be used for all three furnace return air variations. The front door is shipped to fit **24 1/2"** cabinets. If adjustment for the smaller cabinet is required, the front door and supplied filter must be cut to fit. Cut equal amounts from each end of the door so the front screw will still line up with the holes.
3. Set the filter frame over the return air opening for the furnace.
4. A bottom plate must **NOT** be installed for upflow installation with bottom-mounted filter rack as shown in **Figure 2**.
5. Set the furnace onto the filter frame so that the flanges on the filter frame fit inside the return air opening on the bottom of the furnace jacket.

FILLER PLATE PRESENT ON R9??
SERIES FURNACES ONLY.

DISCARD FOR OTHER MODELS.

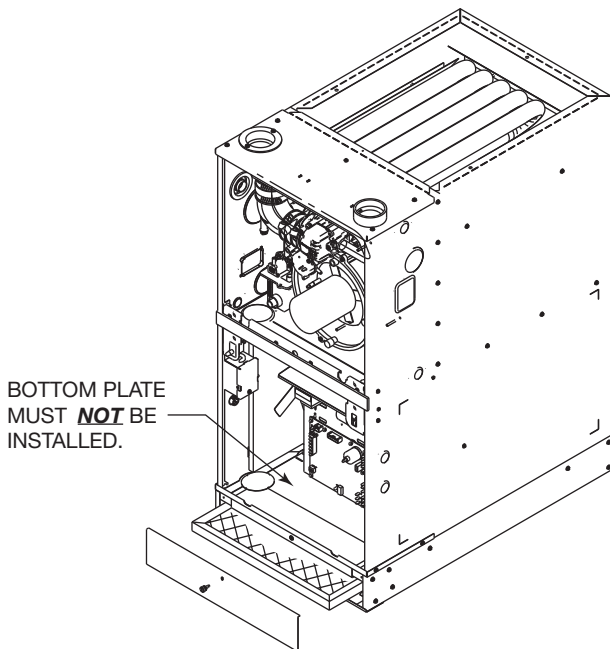


FIG. 2
UPFLOW BOTTOM MOUNT - RXGF-CB

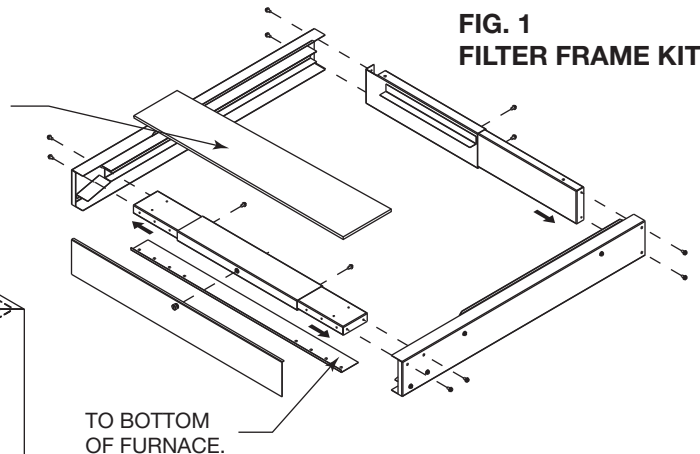


FIG. 1
FILTER FRAME KIT

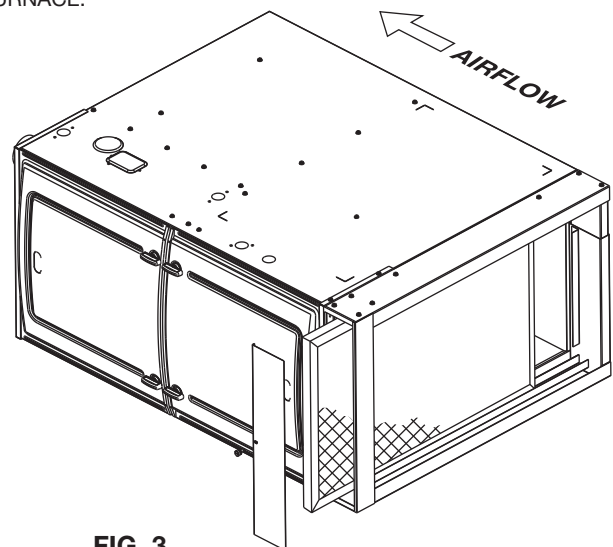


FIG. 3
HORIZONTAL FILTER INSTALLATION

