

# INSTALLATION INSTRUCTIONS FOR HORIZONTAL DRAIN PAN FOR INDOOR COOLING/HEAT PUMP COILS WITH AIR HANDLERS

This Horizontal Drain Pan Kit is for the applications shown below to convert upflow/downflow coils to use in the horizontal position.

## MODEL NUMBERING SYSTEM

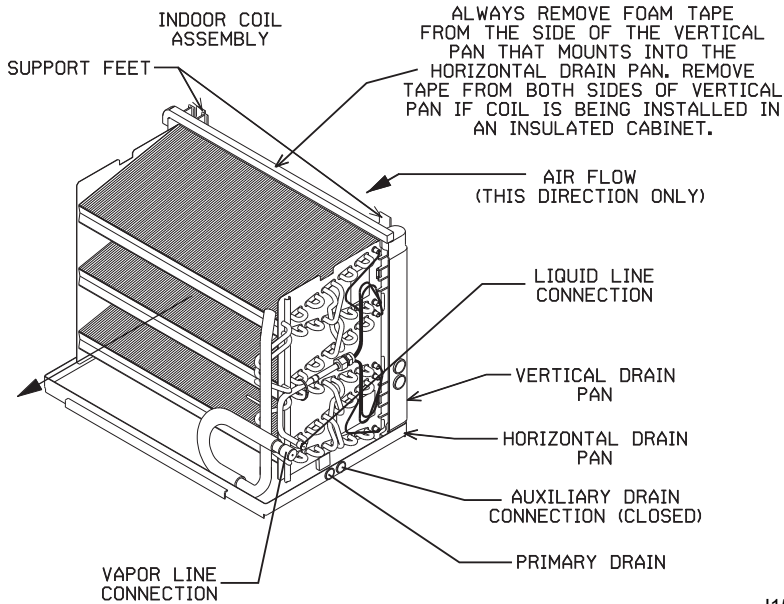
<u>MODEL NUMBER</u>	<u>DESCRIPTION</u>	<u>APPLICATIONS</u>
R X B D - C B	HORIZONTAL DRAIN PAN KIT	RC** - ALL UNITS

## INSTALLATION PROCEDURE

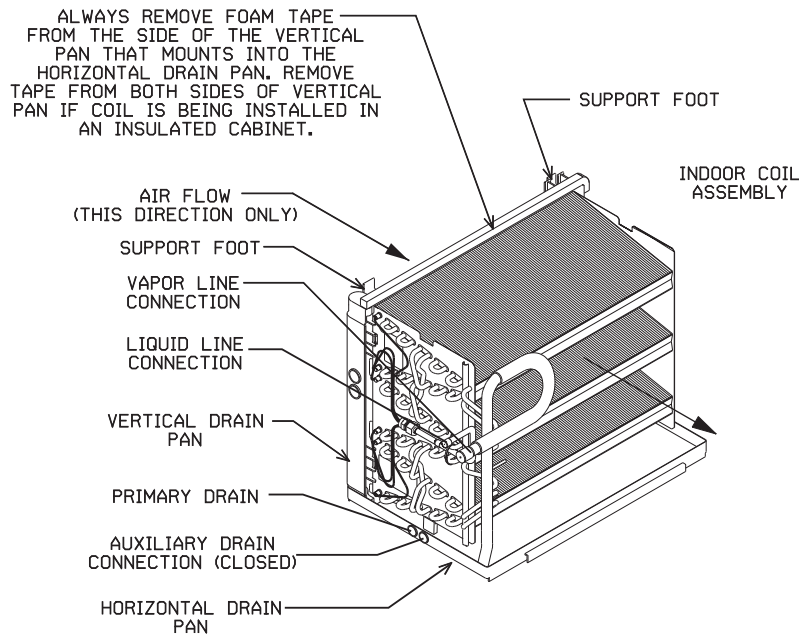
1. Remove six screws retaining coil access door and remove door.
2. Remove coil by sliding coil forward, out of the casing.
3. Remove foam tape on side of vertical drain pan on which the horizontal drain pan is to be installed. Install horizontal drain pan as shown for left hand (Figure 1) or right hand (Figure 2) air supply. Drain pan connections must be toward front of coil (header connection end). Install coil assembly into horizontal pan as shown with coil endplates fitting into "V" shaped supports in the front and back of the horizontal pan. Mounting tabs on the vertical drain pan fit over the air inlet side of the horizontal drain pan. Horizontal pan must be under the indoor coil when in the installed position. Foam tape must be installed ONLY on the side opposite the horizontal drain pan.
4. Install coil with horizontal drain pan into the casing.
5. Secure door with six screws. Note that the labels should be on the outside of the door for proper fit of the door.

See Installation and Operating Instructions for Indoor Coils for proper installation and operation of horizontal indoor coils.

**FIGURE 1  
INDOOR COIL AND DRAIN PAN SET-UP  
HORIZONTAL LEFT-HAND AIR SUPPLY**



**FIGURE 2  
INDOOR COIL AND DRAIN PAN SET-UP  
HORIZONTAL RIGHT-HAND AIR SUPPLY**



**\* FOAM TAPE**

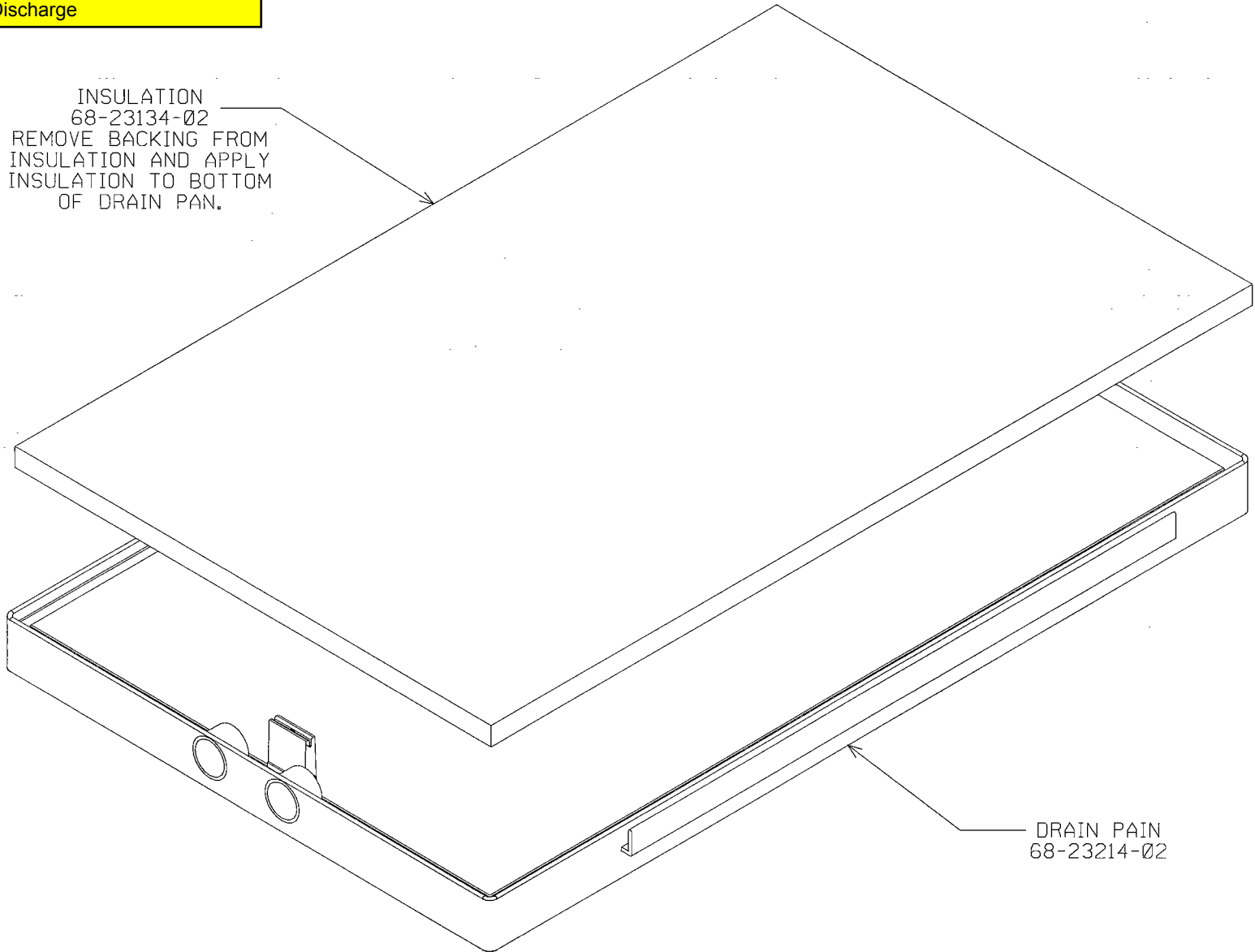
Foam tape is factory installed on the sides of the vertical drain pan if the coil is provided in a coil casing. Foam tape is shipped loose with uncased coils.

If uncased coil is installed vertical in a coil casing or air handler, install the foam tape on the sides of the vertical drain pan.

If installed horizontal, **DO NOT** install foam tape on the side of the vertical drain pan that fits into the horizontal drain pan. Remove foam tape, if already attached, from the side of the vertical drain pan that fits into the horizontal drain pan.

RXBD-CB Horizontal Drain Pan Kit  
Front Discharge

INSULATION  
68-23134-02  
REMOVE BACKING FROM  
INSULATION AND APPLY  
INSULATION TO BOTTOM  
OF DRAIN PAN.



DRAIN PAN  
68-23214-02