



## Ruud Achiever® Series Air Conditioners



### RA14 Series

Efficiencies up to 16 SEER/13 EER  
Nominal Sizes 1½ to 5 Ton [5.28 to 17.6 kW]  
Cooling Capacities 17.3 to 60.5 kBTU  
[5.7 to 17.7 kW]



*“Proper sizing and installation of equipment is critical to achieve optimal performance. Split system air conditioners and heat pumps must be matched with appropriate coil components to meet Energy Star. Ask your Contractor for details or visit [www.energystar.gov](http://www.energystar.gov).”*

- New composite base pan – dampens sound, captures louver panels, eliminates corrosion and reduces number of fasteners needed
- Powder coat paint system – for a long lasting professional finish
- Scroll compressor – uses 70% fewer moving parts for higher efficiency and increased reliability
- Modern cabinet aesthetics – increased curb appeal with visually appealing design
- Curved louver panels – provide ultimate coil protection, enhance cabinet strength, and increased cabinet rigidity
- Optimized fan orifice – optimizes airflow and reduces unit sound
- Rust resistant screws – confirmed through 1500-hour salt spray testing
- PlusOne™ **Expanded Valve Space** – 3"-4"-5" service valve space – provides a minimum working area of 27-square inches for easier access
- PlusOne™ **Triple Service Access** – 15" wide, industry leading corner service access – makes repairs easier and faster. The two fastener removable corner allows optimal access to internal unit components. Individual louver panels come out once fastener is removed, for faster coil cleaning and easier cabinet reassembly
- Diagnostic service window with two-fastener opening – provides access to the high and low pressure.
- External gauge port access – allows easy connection of “low-loss” gauge ports
- Single-row condenser coil – makes unit lighter and allows thorough coil cleaning to maintain “out of the box” performance
- 35% fewer cabinet fasteners and fastener-free base – allow for faster access to internal components and hassle-free panel removal
- Service trays – hold fasteners or caps during service calls
- QR code – provides technical information on demand for faster service calls
- Fan motor harness with extra long wires allows unit top to be removed without disconnecting fan wire.

## TABLE OF CONTENTS

Standard Feature .....	3
Available SKUs .....	3
Features & Benefits .....	4-5
Model Number Identification .....	6-7
General Data/Electrical Data .....	8
Accessories .....	9
Weighted Sound Power .....	9
Thermostats.....	9
Unit Dimensions.....	10
Clearances.....	11
Wiring Diagrams .....	12
Application Guidelines .....	12
Refrigerant Line Size Information .....	13-14
Performance Data .....	15-61
Guide Specifications .....	62
Limited Warranty .....	63

## Standard Feature Table

Feature	STANDARD FEATURES						
	18	24	30	36	42	48	60
R-410a Refrigerant	√	√	√	√	√	√	√
Maximum SEER	16	16	16	16	16	15.5	15
Maximum EER	13	13	13	13	13	13	12.5
Scroll Compressor	√	√	√	√	√	√	√
Field Installed Filter Drier	√	√	√	√	√	√	√
Front Seating Service Valves	√	√	√	√	√	√	√
Internal Pressure Relief Valve	√	√	√	√	√	√	√
Internal Thermal Overload	√	√	√	√	√	√	√
Long Line capability	√	√	√	√	√	√	√
Low Ambient capability with Kit	√	√	√	√	√	√	√
3-4-5 Expanded Valve Space	√	√	√	√	√	√	√
Composite Basepan	√	√	√	√	√	√	√
2 Screw Control Box Access	√	√	√	√	√	√	√
15" Access to Internal Components	√	√	√	√	√	√	√
Quick release louver panel design	√	√	√	√	√	√	√
No fasteners to remove along bottom	√	√	√	√	√	√	√
Optimized Venturi Airflow	√	√	√	√	√	√	√
Single row condenser coil	√	√	√	√	√	√	√
Powder coated paint	√	√	√	√	√	√	√
Rust resistant screws	√	√	√	√	√	√	√
QR code	√	√	√	√	√	√	√
External gauge ports	√	√	√	√	√	√	√
Service trays	√	√	√	√	√	√	√

√ = Standard

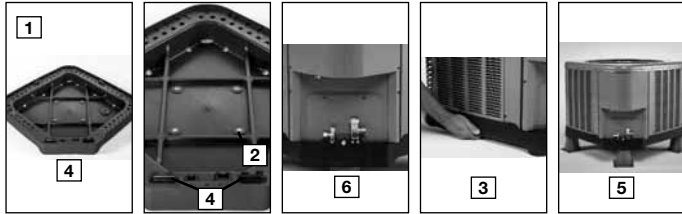
## Available SKUs

Available Models	Description
RA1418AJ1NA	Achiever® Series 1 1/2 ton 14 SEER Single-Stage Air Conditioner-208/230/1/60
RA1424AJ1NA	Achiever® Series 2 ton 14 SEER Single-Stage Air Conditioner-208/230/1/60
RA1430AJ1NA	Achiever® Series 2 1/2 ton 14 SEER Single-Stage Air Conditioner-208/230/1/60
RA1436AJ1NA	Achiever® Series 3 ton 14 SEER Single-Stage Air Conditioner-208/230/1/60
RA1442AJ1NA	Achiever® Series 3 1/2 ton 14 SEER Single-Stage Air Conditioner-208/230/1/60
RA1448AJ1NA	Achiever® Series 4 ton 14 SEER Single-Stage Air Conditioner-208/230/1/60
RA1460AJ1NA	Achiever® Series 5 ton 14 SEER Single-Stage Air Conditioner-208/230/1/60
RA1418AJ1NB	Achiever® Series 1 1/2 ton 14 SEER Single-Stage Air Conditioner w/ High/Low Pressure-208/230/1/60
RA1424AJ1NB	Achiever® Series 2 ton 14 SEER Single-Stage Air Conditioner w/ High/Low Pressure-208/230/1/60
RA1430AJ1NB	Achiever® Series 2 1/2 ton 14 SEER Single-Stage Air Conditioner w/ High/Low Pressure-208/230/1/60
RA1436AJ1NB	Achiever® Series 3 ton 14 SEER Single-Stage Air Conditioner w/ High/Low Pressure-208/230/1/60
RA1442AJ1NB	Achiever® Series 3 1/2 ton 14 SEER Single-Stage Air Conditioner w/ High/Low Pressure-208/230/1/60
RA1448AJ1NB	Achiever® Series 4 ton 14 SEER Single-Stage Air Conditioner w/ High/Low Pressure-208/230/1/60
RA1460AJ1NB	Achiever® Series 5 ton 14 SEER Single-Stage Air Conditioner w/ High/Low Pressure-208/230/1/60
RA1436AC1NB	Achiever® Series 3 ton 14 SEER Single-Stage Air Conditioner w/ High/Low Pressure-208/230/3/60
RA1442AC1NB	Achiever® Series 3 1/2 ton 14 SEER Single-Stage Air Conditioner w/ High/Low Pressure-208/230/3/60
RA1448AC1NB	Achiever® Series 4 ton 14 SEER Single-Stage Air Conditioner w/ High/Low Pressure-208/230/3/60
RA1460AC1NB	Achiever® Series 5 ton 14 SEER Single-Stage Air Conditioner w/ High/Low Pressure-208/230/3/60
RA1436AD1NB	Achiever® Series 3 ton 14 SEER Single-Stage Air Conditioner w/ High/Low Pressure-460/3/60
RA1442AD1NB	Achiever® Series 3 1/2 ton 14 SEER Single-Stage Air Conditioner w/ High/Low Pressure-460/3/60
RA1448AD1NB	Achiever® Series 4 ton 14 SEER Single-Stage Air Conditioner w/ High/Low Pressure-460/3/60
RA1460AD1NB	Achiever® Series 5 ton 14 SEER Single-Stage Air Conditioner w/ High/Low Pressure-460/3/60

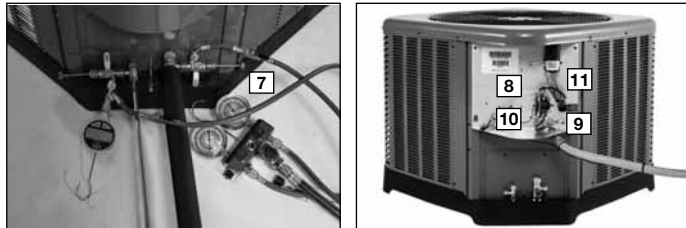
## Introduction to RA14 Air Conditioner

The RA14 is our 14 SEER air conditioner and is part of the Ruud air conditioner product line that extends from 13 to 20 SEER. This highly featured and reliable air conditioner is designed for years of reliable, efficient operation when matched with Ruud indoor aluminum evaporator coils and furnaces or air handler units with aluminum evaporators.

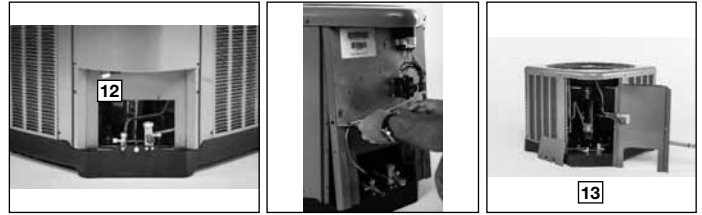
Our unique composite base (1) reduces sound emission, eliminates rattles, significantly reduces fasteners, eliminates corrosion and has integrated brass compressor attachment inserts (2). Furthermore it has incorporated into the design, water management features, means for hand placement (3) for unit maneuvering, screw trays (4) and inserts for lifting off unit pad. (5)



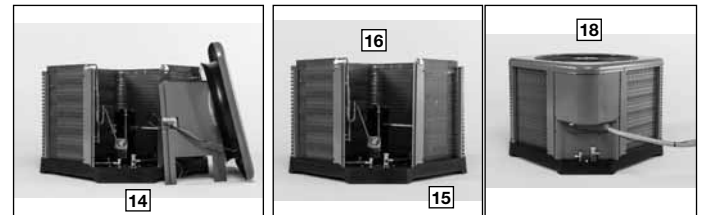
Service Valves (6) are rigidly mounted in the composite base with 3" between suction and discharge valves, 4" clearance below service valves and a minimum of 5" above the service valves, creating industry leading installation ease. The minimum 27 square-inches around the service valves allows ample room to remove service valve schrader prior to brazing, plenty of clearance for easy brazing of the suction and discharge lines to service valve outlets, easy access and hookup of low loss refrigerant gauges (7), and access to the service valve caps for opening. For applications with long-line lengths up to 250 feet total equivalent length, up to 200 feet condenser above evaporator, or up to 80 feet evaporator above condenser, the long-line instructions in the installation manual should be followed.



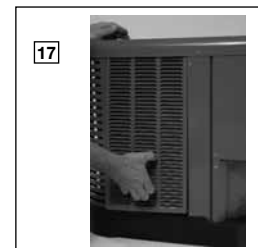
Controls are accessed from the corner of the unit by removing only two fasteners from the control access cover, revealing the industry's largest 15" wide and 14" tall control area (8). With all this room in the control area the high voltage electrical whip (9) can easily be inserted through the right size opening in the bottom of the control area. Routing it leads directly to contractor lugs for connection. The low voltage control wires (10) are easily connected to units low voltage wiring. If contactor or capacitor (11) needs to be replaced there is more than adequate space to make the repair. Furthermore, if high pressure and low pressure model was not purchased but is desired to be installed in the field, the service window (12) can be removed by removing two screws, to access the high and low side schrader fittings for easy field installation. The entire corner can be removed providing ultimate access to install the high and low pressure switch. (13)



If in the rare event, greater access is needed to internal components, such as the compressor, the entire corner of the unit can be removed along with the top cover assembly to have unprecedented access to interior of the unit (14). Extra wire length is incorporated into each outdoor fan and compressor so top cover and control panel can be positioned next to the unit. With minimal effort the plug can be removed from the compressor and the outdoor fan wires can be removed from the capacitor to allow even more uncluttered access to the interior of the unit (15). Outdoor coil heights range from as short as 22" to 32", aiding access to the compressor. Disassembly to this degree and complete reassembly only takes a first time service technician less than 10 minutes. (15)



All units utilize strong formed louver panels which provide industry leading coil protection. Louver removal for coil cleaning is accomplished by removing one screw and lifting the panel out of the composite base pan. (17) All RA14 units utilize single row coils (16) making cleaning easy and complete, restoring the performance of the air conditioner back to out of the box performance levels year after year.



The outdoor fan motor has sleeve bearings and is inherently protected. The motor is totally enclosed for maximum protection from weather, dust and corrosion. Access to the outdoor fan is made by removing four fasteners from the fan grille. The outdoor fan can be removed from the fan grille by removing 4 fasteners in the rare case outdoor fan motor fails.

Each cabinet has optimized composite (19) fan orifice assuring efficient and quiet airflow.



The entire cabinet has powder post paint (20) achieving 1000 hour salt spray rating, allowing the cabinet to retain its aesthetics throughout its life.



Scroll compressors with standard internal pressure relief and internal thermal overload are used on all capacities assuring longevity of high efficient and quiet operation for the life of the product.

Each unit is shipped with filter drier for field installation and will trap any moisture or dirt that could contaminate the refrigerant system.



All cabinets have industry leading structural strength due to the composite base pan (21), interlocking corner post (22), formed curved louver panels (23) and drawn top cover (24) making it the most durable cabinet on the market today.

Each RA14 capacity has undergone rigorous psychometric testing to assure performance ratings of capacity, SEER and EER per AHRI Standard 210/240 rating conditions. Also each unit bears the UL mark and each unit is certified to UL 1995 safety standards.



Each unit has undergone specific strain and modal testing to assure tubing (25) is outside the units natural frequency and that the suction and discharge lines connected to the compressor withstand any starting, steady state operation or shut down forces imposed by the compressor.

All units have been sound tested in sound chamber to AHRI 270 rating conditions, and A-weighted Sound Power Level tables produced, assuring units have acceptable noise qualities (see page 8). Each unit has been ran in cooling operation at 95°F and 82°F and sound ratings for the RA14 range from as low as 74 dBA to 77 dBA.

All units have been ship tested to assure units meet stringent “over the road” shipping conditions.

As manufactured all units in the RA14 family have cooling capability to 55 °F. Addition of low ambient control will allow the unit to operate down to 0°F. Factory testing is performed on each unit. All component parts meet well defined specification and continually go through receiving inspections. Each component installed on a unit is scanned, assuring correct component utilization for a given unit capacity and voltage. All condenser coils are leak tested with pressurization test to 550#’s and once installed and assembled, each units’ complete refrigerant system is helium leak tested. All units are fully charged from the factory for up to 15 feet of piping. All units are factory run tested. The RA14 has a 10-year conditional compressor and parts warranty (registration required).

## Optional Accessories

(Refer to accessory chart for model #)

### Compressor Crankcase Heater

Protects against refrigerant migration that can occur during low ambient operation

### Compressor Sound Cover

- Reinforced vinyl compressor cover containing a 1½ inch thick batt of fiberglass insulation
- Open edges are sealed with a one-inch wide hook and loop fastening tape

### Compressor Hard Start Kit

- Single-phase units are equipped with a PSC compressor motor, this type of motor normally does not need a potential relay and start capacitor
- Kit may be required to increase the compressor starting torque, in conditions such as low voltage

### Low Ambient Kit

- Air conditioners operate satisfactorily in the cooling mode down to 55°F outdoor air temperature without any additional controls
- This Kit can be added in the field enabling unit to operate properly down to 0° in the cooling mode
- Crankcase heater and freeze-stat should be installed on compressors equipped with a low ambient kit

### 3"/6"/12"

- Gray high density polyethylene feet are available to raise unit off of mounting surface away from moisture

### Low Pressure

- Can be added in field enabling the unit to shut off compressor on loss of charge

NOTE: Unit can be purchased with high and low pressure installed at factory. (Refer to SKU list)

### High Pressure

- Can be added in field enabling unit to shut off compressor if unit loses outdoor fan operation.

NOTE: Unit can be purchased with high and low pressure installed at factory. (Refer to SKU list)

### Decorative Top

- Can be installed on fan grille

## Air Conditioners

<u>R</u>	<u>A</u>	<u>14</u>	<u>24</u>	<u>A</u>	<u>J</u>	<u>1</u>	<u>N</u>	<u>A</u>	<u>*</u>
Brand	Product Category	SEER	Capacity BTU/HR	Major Series*	Voltage	Type	Controls	Minor Series**	Option Code
Ruud	A - Air Conditioners	13 - 13 SEER 14 - 14 SEER 16 - 16 SEER 17 - 17 SEER 20 - 20 SEER	18 - 18,000 [5.28 kW] 24 - 24,000 [7.03 kW] 30 - 30,000 [8.79 kW] 36 - 36,000 [10.55 kW] 42 - 42,000 [12.31 kW] 48 - 48,000 [14.07 kW] 60 - 60,000 [17.58 kW]	A - 1st Design	J - 1ph, 208-230/60 C - 3ph, 208-230/60 D - 3ph, 460/60	1 - Single-stage 2 - Two-stage V - Inverter	C - Communicating N - Non-Communicating	A - 1st Design	N/A

## Heat Pumps (For Reference)

<u>R</u>	<u>A</u>	<u>14</u>	<u>24</u>	<u>A</u>	<u>J</u>	<u>1</u>	<u>N</u>	<u>A</u>	<u>*</u>
Brand	Product Category	SEER	Capacity BTU/HR	Major Series*	Voltage	Type	Controls	Minor Series**	Option Code
Ruud	P - Heat Pump	13 - 13 SEER 14 - 14 SEER 16 - 16 SEER 17 - 17 SEER 20 - 20 SEER	18 - 18,000 [5.28 kW] 24 - 24,000 [7.03 kW] 30 - 30,000 [8.79 kW] 36 - 36,000 [10.55 kW] 42 - 42,000 [12.31 kW] 48 - 48,000 [14.07 kW] 60 - 60,000 [17.58 kW]	A - 1st Design	J - 1ph, 208-230/60 C - 3ph, 208-230/60 D - 3ph, 460/60	1 - Single-stage 2 - Two-stage V - Inverter P - Piston	C - Communicating N - Non-Communicating	A - 1st Design	N/A

## Furnace Coils (For Reference)

<u>R</u>	<u>C</u>	<u>F</u>	<u>24</u>	<u>17</u>	<u>S</u>	<u>I</u>	<u>A</u>	<u>M</u>	<u>C</u>	<u>A</u>	<u>*</u>
Brand	Product Category	Type	Capacity BTU/HR	Width	Efficiency	Metering Device	Major Series*	Orientation	Casing	Minor Series**	Option Code
Ruud	C - Evap Coil	F - Furn Coil H - Air-Handler Coil	24 - 24,000 [7.03 kW] 36 - 36,000 [10.55 kW] 48 - 48,000 [14.07 kW] 60 - 60,000 [17.58 kW]	14 - 14" 17 - 17.5" 21 - 21" 24 - 24.5"	S - Standard Eff. M - Mid Eff. H - High Eff.	T-TXV E-EEV P-Piston	A - 1st Design	M - Multipoise V - Vertical only/ convertible H - Ded. Horizontal only	C - Cased U - Uncased	A - 1st Design	N/A

[ ] Designates Metric Conversions

### 90%+ AFUE Gas Furnaces (For Reference)

<u>R</u>	<u>96</u>	<u>V</u>	<u>A</u>	<u>70</u>	<u>2</u>	<u>3</u>	<u>17</u>	<u>M</u>	<u>S</u>	<u>A</u>
Brand	Series	Motor	Major Rev	Input BTU/HR	Stages	Air Flow	Cabinet Width	Configuration	Nox	Minor Rev
Ruud	90 - 90 AFUE	V - Variable speed	A - 1st Design	040 - 42,000 [12.31 kW]	1 - Single-stage	3 - up to 3 ton	14 - 14"	M - Multi	X - Low Nox	A - 1st Design
	92 - 92 AFUE	T - Constant Torque (X-13)		060 - 56,000 [16.41 kW]	2 - Two-stage	5 - 3 1/2 up to 5 ton	17 - 17.5"		S - Standard	
	95 - 95 AFUE	P - PSC		070 - 70,000 [20.51 kW]	M - Modulating		21 - 21"			
	96 - 96 AFUE			085 - 84,000 [24.62 kW]			24 - 24.5"			
	97 - 97 AFUE			100 - 98,000 [28.72 kW]						
				115 - 112,000 [32.82 kW]						

### 80% AFUE Gas Furnaces (For Reference)

<u>R</u>	<u>80</u>	<u>2</u>	<u>V</u>	<u>075</u>	<u>3</u>	<u>17</u>	<u>M</u>	<u>S</u>	<u>A</u>	
Brand	Series	Stages	Motor	Major Rev	Input BTU/HR	Air Flow	Cabinet Width	Configuration	Nox	Minor Rev
Ruud	80 - 80+ AFUE	1 - Single-stage	V - Variable speed	A - 1st Design	050 - 50,000 [15 kW]	3 - up to 3 ton	14 - 14"	M - Multi	X - Low Nox	A - 1st Design
		2 - Two-stage	T - Constant Torque (X-13)		075 - 75,000 [22 kW]	4 - 2 1/2 to 4 ton	17 - 17.5"	D - Down	S - Standard	
			P - PSC premium		100 - 100,000 [29 kW]	5 - 3 1/2 up to 5 ton	21 - 21"	Z - Down & zero clearance		
			S - PSC standard		125 - 125,000 [37 kW]		24 - 24.5"			
					150 - 150,000 [44 kW]					

### Air Handlers (For Reference)

<u>R</u>	<u>H</u>	<u>1</u>	<u>I</u>	<u>36</u>	<u>17</u>	<u>S</u>	<u>T</u>	<u>N</u>	<u>A</u>	<u>*</u>	
Brand	Product Category	Stages of Airflow	Motor Type	Capacity BTU/HR	Width	Coil Size	Metering Device	Controls	Voltage	Minor Series**	Factory Heat Option Code
Ruud	H - Air Handler	1 - Single-Stage	V - Variable Speed	24 - 24,000 [7.03 kW]	14 - 14"	S - Standard Eff.	T - TEV	C - Communicating	A - 1ph, 115/60	A - 1st Design	00 - no factory heat with option code
		2 - Two-Stage	T - Constant Torque	36 - 36,000 [10.55 kW]	17 - 17.5"	M - Mid Eff.	E - EEV	N - Non-comm	J - 1ph, 208-240/60		
		M - Modulating	P - PSC	48 - 48,000 [14.07 kW]	21 - 21"	H - High Eff.	P - Piston		D - 3ph, 480/60		
				60 - 60,000 [17.58 kW]	24 - 24.5"						

[ ] Designates Metric Conversions

## Physical Data

PHYSICAL DATA							
Model No.	RA1418A	RA1424A	RA1430A	RA1436A	RA1442A	RA1448A	RA1460A
Nominal Tonnage	1.5	2.0	2.5	3.0	3.5	4.0	5.0
Valve Connections							
Liquid Line O.D. – in.	3/8	3/8	3/8	3/8	3/8	3/8	3/8
Suction Line O.D. – in.	3/4	3/4	3/4	3/4	7/8	7/8	7/8
Refrigerant (R410A) furnished oz. <sup>1</sup>	68	72	87	106	119	129	162
Compressor Type	Scroll						
Outdoor Coil							
Net face area – Outer Coil	9.1	11.1	12.2	14.8	16.2	18.8	21.5
Net face area – Inner Coil	—	—	—	—	—	—	—
Tube diameter – in.	3/8	3/8	3/8	3/8	3/8	3/8	3/8
Number of rows	1	1	1	1	1	1	1
Fins per inch	22	22	22	22	22	22	22
Outdoor Fan							
Diameter – in.	20	20	20	24	26	26	26
Number of blades	2	2	2	3	2	2	3
Motor hp	1/10	1/8	1/8	1/6	1/5	1/5	1/5
CFM	2225	2505	2605	3105	3954	4264	4139
RPM	1075	1075	1075	850	825	820	850
watts	130	163	142	173	240	236	254
Shipping weight – lbs.	143	148	158	178	214	228	247
Operating weight – lbs.	122	141	151	171	207	221	240

## Electrical Data

Line Voltage Data (Volts-Phase-Hz)	208/230-1-60	208/230-1-60	208/230-1-60	208/230-1-60	208/230-1-60	208/230-1-60	208/230-1-60
Maximum overcurrent protection (amps) <sup>2</sup>	20	25	25	30	40	45	50
Minimum circuit ampacity <sup>3</sup>	13	15	17	19	24	27	32
Compressor							
Rated load amps	9.7	11.2	12.8	14.1	17.9	19.9	23.7
Locked rotor amps	48	60.8	64	77	112	109	152.5
Condenser Fan Motor							
Full load amps	0.6	0.8	0.8	0.8	1.2	1.2	1
Locked rotor amps	1.1	1.5	1.4	1.5	2.0	2.3	2.8
Line Voltage Data (Volts-Phase-Hz)	—	—	—	208/230-3-60	208/230-3-61	208/230-3-62	208/230-3-63
Maximum overcurrent protection (amps) <sup>2</sup>	—	—	—	20	30	30	35
Minimum circuit ampacity <sup>3</sup>	—	—	—	13	18	18	22
Compressor							
Rated load amps	—	—	—	9	13.2	13.1	15.9
Locked rotor amps	—	—	—	71	88	83.1	110
Condenser Fan Motor							
Full load amps	—	—	—	0.8	1.2	1.2	1.4
Locked rotor amps	—	—	—	1.5	2.0	2.3	2.8
Line Voltage Data (Volts-Phase-Hz)	—	—	—	480-3-60	480-3-60	480-3-60	480-3-60
Maximum overcurrent protection (amps) <sup>2</sup>	—	—	—	15	15	15	15
<sup>3</sup> Minimum circuit ampacity	—	—	—	8	9	9	10
Compressor							
Rated load amps	—	—	—	5.6	6	6.1	7.1
Locked rotor amps	—	—	—	38	44	41	52
Condenser Fan Motor							
Full load amps	—	—	—	.5	.6	.6	.5
Locked rotor amps	—	—	—	1.1	1.5	1.6	1.4

<sup>1</sup>Refrigerant charge sufficient for 15 ft. length of refrigerant lines. For longer line set requirements see the installation instructions for information about set length and additional refrigerant charge required.

<sup>2</sup>HACR type circuit breaker or fuse.

<sup>3</sup>Refer to National Electrical Code manual to determine wire, fuse and disconnect size requirements.



## Accessories

Model No.	RA1418	RA1424	RA1430	RA1436	RA1442	RA1448	RA1460
Compressor crankcase heater*	44-17402-44	44-17402-44	44-17402-44	44-17402-44	44-17402-45	44-17402-45	44-17402-45
Low ambient control	RXAD-A08	RXAD-A08	RXAD-A08	RXAD-A08	RXAD-A08	RXAD-A08	RXAD-A08
Compressor sound cover	68-23427-26	68-23427-26	68-23427-26	68-23427-26	68-23427-25	68-23427-25	68-23427-25
Compressor hard start kit	SK-A1	SK-A1	SK-A1	SK-A1	SK-A1	SK-A1	SK-A1
Compressor time delay	RXMD-B01	RXMD-B01	RXMD-B01	RXMD-B01	RXMD-B01	RXMD-B01	RXMD-B01
Low pressure control	RXAC-A07	RXAC-A07	RXAC-A07	RXAC-A07	RXAC-A07	RXAC-A07	RXAC-A07
High pressure control	RXAB-A07	RXAB-A07	RXAB-A07	RXAB-A07	RXAB-A07	RXAB-A07	RXAB-A07
Liquid Line Solenoid (24 VAC, 50/60 Hz)	Solenoid Valve	200RD2T3TVLC	200RD2T3TVLC	200RD2T3TVLC	200RD2T3TVLC	200RD2T3TVLC	200RD3T3TVLC
	Solenoid Coil	61-AMG24V	61-AMG24V	61-AMG24V	61-AMG24V	61-AMG24V	61-AMG24V
Liquid Line Solenoid (120/240 VAC, 50/60 Hz)	Solenoid Valve	200RD2T3TVLC	200RD2T3TVLC	200RD2T3TVLC	200RD2T3TVLC	200RD2T3TVLC	200RD3T3TVLC
	Solenoid Coil	61-AMG120/240V	61-AMG120/240V	61-AMG120/240V	61-AMG120/240V	61-AMG120/240V	61-AMG120/240V
Achiever Top Cap w/Label	91-101123-21	91-101123-21	91-101123-21	91-101123-21	91-101123-21	91-101123-21	91-101123-21

\*Crankcase Heater recommended with Low Ambient Kit.

## Weighted Sound Power Level (dBA)

A-WEIGHTED SOUND POWER LEVEL (dBA)								
Unit Size - Voltage, Series	Standard Rating (dBA)	TYPICAL OCTAVE BAND SPECTRUM (dBA without tone adjustment)						
		125	250	500	1000	2000	4000	8000
RA1418A	76	51.4	59.6	65.2	65.9	64.3	58.5	53.7
RA1424A	75.2	49.4	60.4	64.3	64.2	63.4	58.9	53.8
RA1430A	74	48.8	57.5	63.5	64	61.9	56.1	51
RA1436A	76	52.2	61.3	65.4	65.3	62.4	57.3	53.1
RA1442A	75.6	54.9	61.5	65.3	66.3	62.8	59.5	53.2
RA1448A	75.8	52.3	59.1	66.7	65.7	62.4	59.3	55.9
RA1460A	75	53.4	59.1	65.9	66.9	62.8	58.7	54.3

NOTE: Tested in accordance with AHRI Standard 270-08 (not listed in AHRI)

## Thermostats



**200-Series \***  
Programmable



**300-Series \***  
Deluxe Programmable



**400-Series \***  
Special Applications/Programmable



**500-Series \***  
Communicating/Programmable

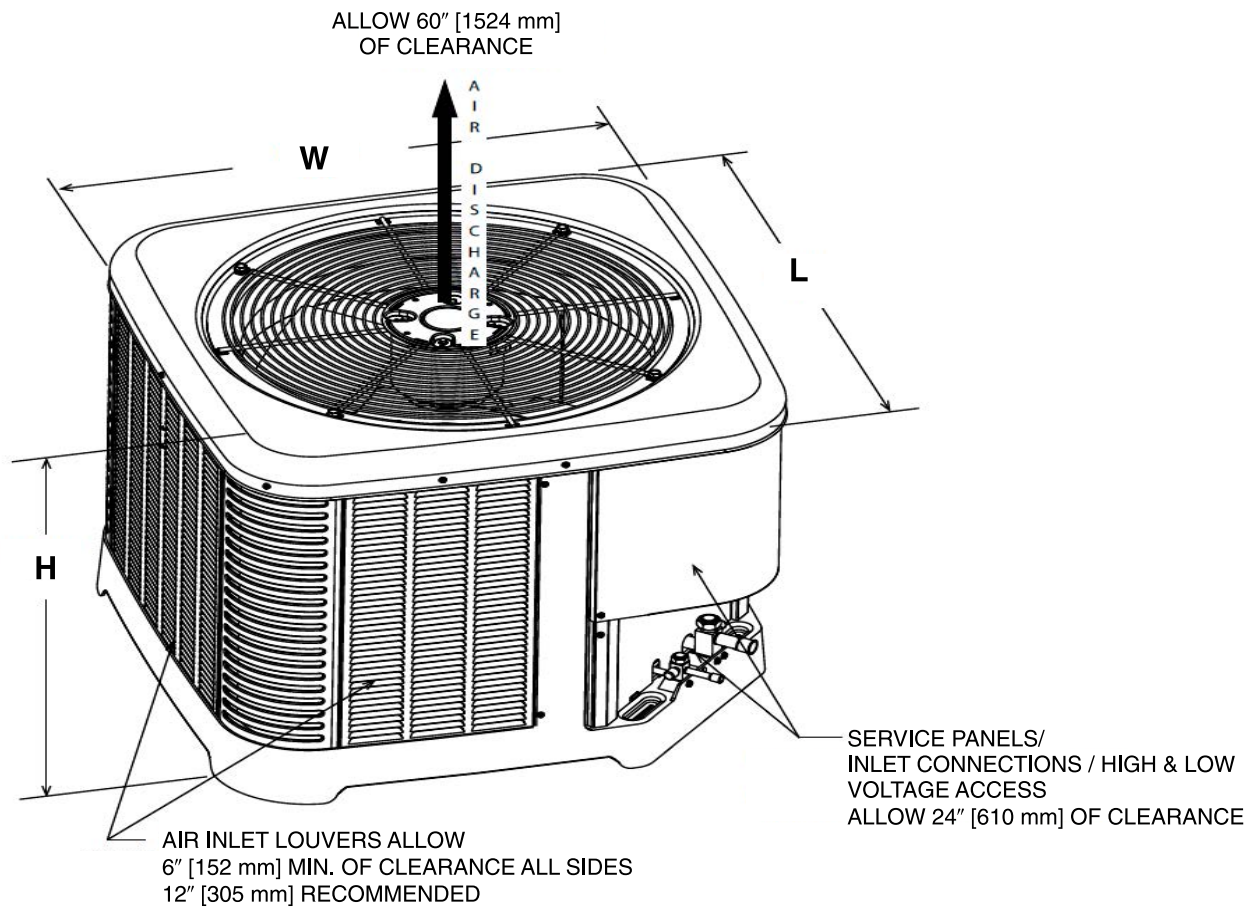
Brand	Descriptor (3 Characters)	Series (3 Characters)	System (2 Characters)	Type (2 Characters)
UHC	-	TST	213	UN
UHC=Ruud	TST=Thermostat	200=Programmable 300=Deluxe Programmable 400=Special Applications/ Programmable 500=Communicating/ Programmable	GE=Gas/Electric UN=Universal (AC/HP/GE) MD=Modulating Furnace DF=Dual Fuel CM=Communicating	SS=Single-Stage MS=Multi-Stage

\* Photos are representative. Actual models may vary.

For detailed thermostat match-up information, see specification sheet form number T22-001.

## Unit Dimensions

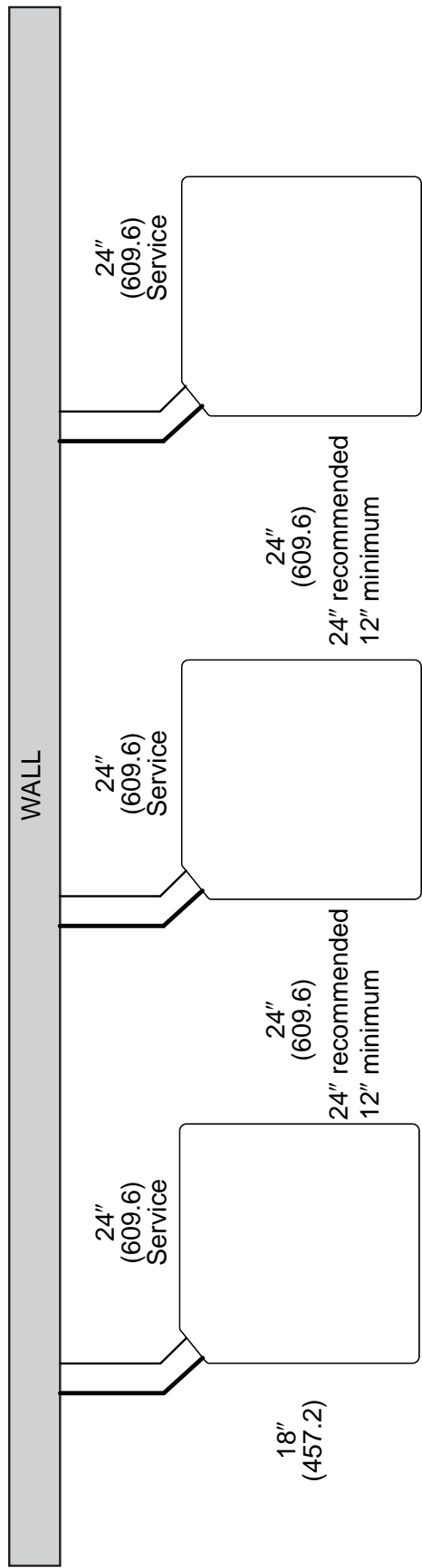
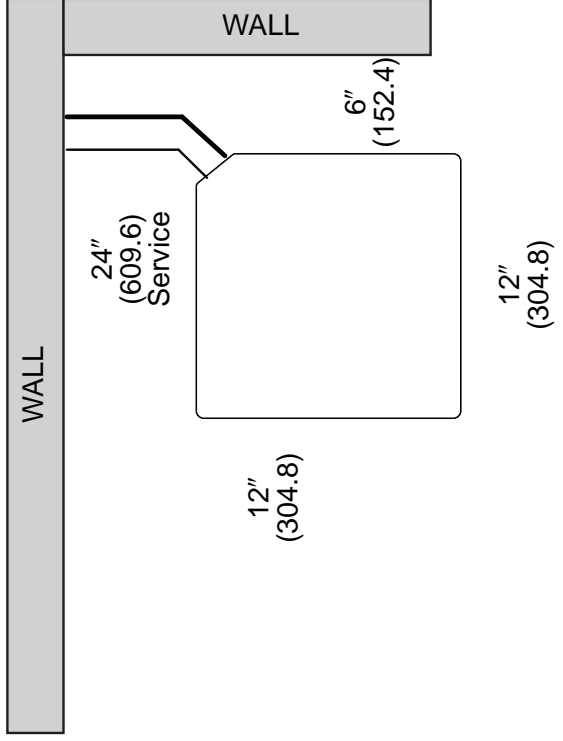
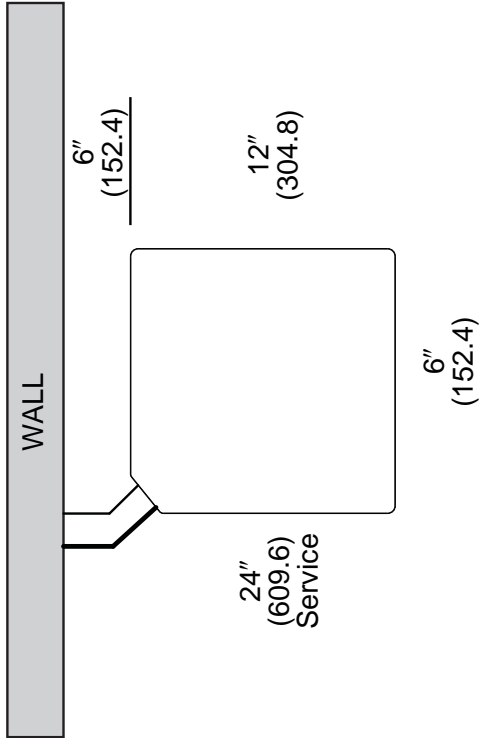
MODEL NO.	OPERATING						SHIPPING					
	H (Height)		L (Length)		W (Width)		H (Height)		L (Length)		W (Width)	
	INCHES	mm	INCHES	mm	INCHES	mm	INCHES	mm	INCHES	mm	INCHES	mm
RA1418	25	635	29.75	755	29.75	755	26.75	679	32.38	822	32.38	822
RA1424	25	635	29.75	755	29.75	755	26.75	679	32.38	822	32.38	822
RA1430	27	685	29.75	755	29.75	755	28.75	679	32.38	822	32.38	822
RA1436	27	685	33.75	857	33.75	857	28.75	730	36.38	986	36.38	986
RA1442	27	685	35.75	908	35.75	908	28.75	730	38.38	986	38.38	986
RA1448	31	787	35.75	908	35.75	908	32.75	730	38.38	986	38.38	986
RA1460	35	889	35.75	908	35.75	908	36.75	730	38.38	986	38.38	986



[ ] Designates Metric Conversions

ST-A1226-02-00

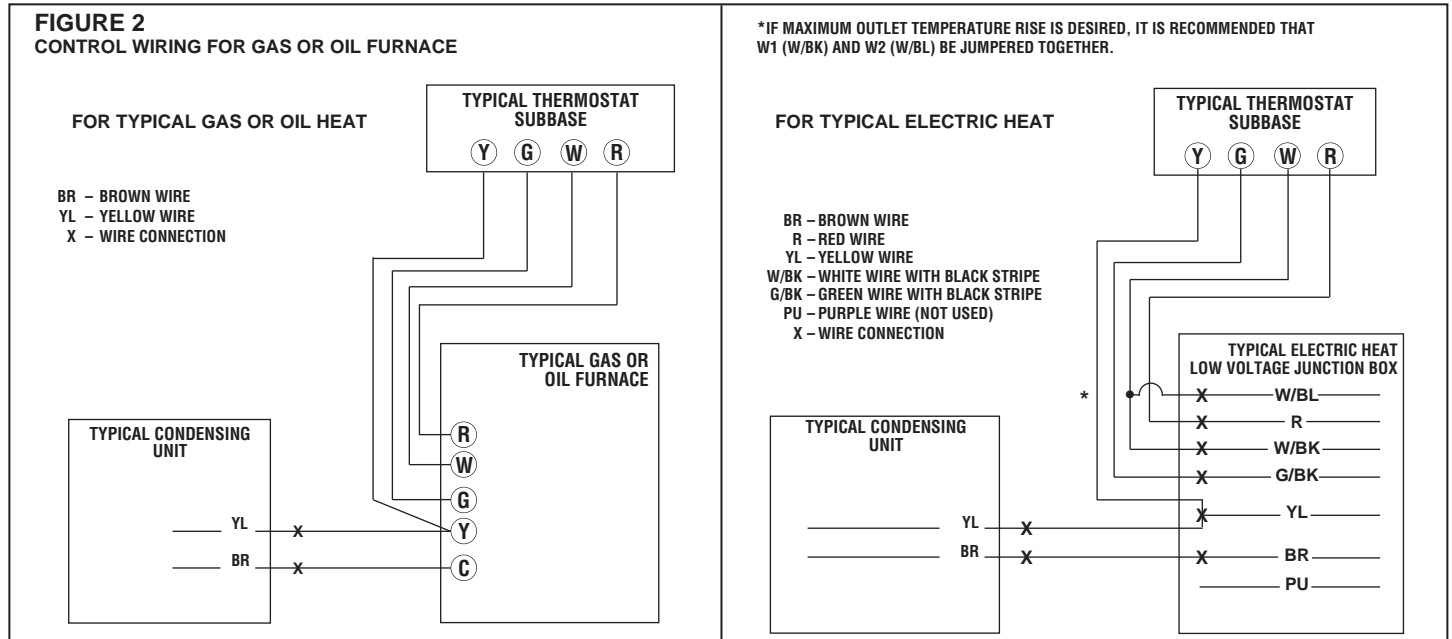
# CLEARANCES



**NOTE: NUMBERS IN ( ) = mm**

**IMPORTANT:** When installing multiple units in an alcove, roof well or partially enclosed area, ensure there is adequate ventilation to prevent re-circulation of discharge air.

## Control Wiring



## Application Guidelines

1. Intended for outdoor installation with free air inlet and outlet. Outdoor fan external static pressure available is less than 0.01 -in. wc.
2. Minimum outdoor operation air temperature for cooling mode without low-ambient operation accessory is 55°F (12.8°C).
3. Maximum outdoor operating air temperature is 125°F (51.7°C).
4. For reliable operation, unit should be level in all horizontal planes.
5. Use only copper wire for electric connections at unit. Aluminum and clad aluminum are not acceptable for the type of connector provided.
6. Do not apply capillary tube indoor coils to these units.
7. Factory – supplied filter drier must be installed.

**Refrigerant Line Size Information**

R-410A System Capacity Model	Liquid Line Size Connection Size (Inch I.D.) [mm]	Liquid Line Size (Inch O.D.) [mm]	Liquid Line Selection Chart																						
			Elevation (Above or Below) Indoor Coil																						
			Total Equivalent Length - Feet [m]																						
			Maximum Vertical Separation - Feet [m]																						
			25 [7.62]	50 [15.24]	75 [22.86]	100 [30.48]	125 [45.72]	150 [45.72]	175 [53.34]	200 [60.96]	225 [68.58]	250 [76.20]	275 [83.82]	300 [91.44]											
18	3/8" [9.53]	1/4 [6.35]	25 [7.62]	50 [15.24]	65 [19.81]	50 [15.24]	35 [10.67]	20 [6.1]	N/R	N/R	N/R	N/R	N/R	N/R	N/R	N/R									
		5/16 [7.94]	25 [7.62]	50 [15.24]	75 [22.86]	90 [27.43]	85 [25.91]	80 [24.38]	75 [22.86]	70 [21.34]	65 [19.81]	60 [18.29]	55 [16.76]	50 [15.24]	45 [13.72]	40 [12.19]	35 [10.67]								
		3/8 [9.53]	25 [7.62]	50 [15.24]	75 [22.86]	100 [30.48]	100 [30.48]	100 [30.48]	100 [30.48]	100 [30.48]	100 [30.48]	100 [30.48]	100 [30.48]	100 [30.48]	100 [30.48]	100 [30.48]	100 [30.48]	100 [30.48]							
		7/16 [11.12]	25 [7.62]	50 [15.24]	75 [22.86]	100 [30.48]	105 [32]	105 [32]	105 [32]	105 [32]	105 [32]	105 [32]	105 [32]	105 [32]	105 [32]	105 [32]	105 [32]	105 [32]							
		1/2 [12.71]	25 [7.62]	50 [15.24]	75 [22.86]	100 [30.48]	105 [32]	105 [32]	105 [32]	105 [32]	105 [32]	105 [32]	105 [32]	105 [32]	105 [32]	105 [32]	105 [32]	105 [32]							
24	3/8" [9.53]	1/4 [6.35]	25 [7.62]	50 [15.24]	30 [9.14]	N/R	N/R	N/R	N/R	N/R	N/R	N/R	N/R	N/R	N/R	N/R									
		5/16 [7.94]	25 [7.62]	50 [15.24]	75 [22.86]	80 [24.38]	75 [22.86]	70 [21.34]	60 [18.29]	55 [16.76]	50 [15.24]	40 [12.19]	35 [10.67]	30 [9.14]	25 [7.62]	20 [6.1]									
		3/8 [9.53]	25 [7.62]	50 [15.24]	75 [22.86]	100 [30.48]	100 [30.48]	100 [30.48]	100 [30.48]	100 [30.48]	100 [30.48]	100 [30.48]	100 [30.48]	100 [30.48]	100 [30.48]	100 [30.48]	100 [30.48]								
		7/16 [11.12]	25 [7.62]	50 [15.24]	75 [22.86]	100 [30.48]	100 [30.48]	100 [30.48]	100 [30.48]	100 [30.48]	100 [30.48]	100 [30.48]	100 [30.48]	100 [30.48]	100 [30.48]	100 [30.48]	100 [30.48]								
		1/2 [12.71]	25 [7.62]	50 [15.24]	75 [22.86]	100 [30.48]	105 [32]	105 [32]	105 [32]	105 [32]	105 [32]	105 [32]	105 [32]	105 [32]	105 [32]	105 [32]	105 [32]								
30	3/8" [9.53]	1/4 [6.35]	25 [7.62]	50 [15.24]	75 [22.86]	65 [19.81]	55 [16.76]	45 [13.72]	35 [10.67]	25 [7.62]	15 [4.57]	5 [1.52]	N/R	N/R	N/R	N/R									
		5/16 [7.94]	25 [7.62]	50 [15.24]	75 [22.86]	90 [27.43]	85 [25.91]	80 [24.38]	80 [24.38]	80 [24.38]	75 [22.86]	70 [21.34]	70 [21.34]	70 [21.34]	65 [19.81]	60 [18.29]									
		3/8 [9.53]	25 [7.62]	50 [15.24]	75 [22.86]	100 [30.48]	100 [30.48]	100 [30.48]	100 [30.48]	100 [30.48]	100 [30.48]	100 [30.48]	100 [30.48]	100 [30.48]	100 [30.48]	100 [30.48]	100 [30.48]								
		7/16 [11.12]	25 [7.62]	50 [15.24]	75 [22.86]	100 [30.48]	100 [30.48]	100 [30.48]	100 [30.48]	100 [30.48]	100 [30.48]	100 [30.48]	100 [30.48]	100 [30.48]	100 [30.48]	100 [30.48]	100 [30.48]								
		1/2 [12.71]	25 [7.62]	50 [15.24]	75 [22.86]	100 [30.48]	100 [30.48]	100 [30.48]	100 [30.48]	100 [30.48]	100 [30.48]	100 [30.48]	100 [30.48]	100 [30.48]	100 [30.48]	100 [30.48]	100 [30.48]								
36	3/8" [9.53]	1/4 [6.35]	25 [7.62]	50 [15.24]	65 [19.81]	55 [16.76]	45 [13.72]	30 [9.14]	20 [6.1]	N/R	N/R	N/R	N/R	N/R	N/R	N/R									
		5/16 [7.94]	25 [7.62]	50 [15.24]	75 [22.86]	80 [24.38]	80 [24.38]	80 [24.38]	80 [24.38]	80 [24.38]	80 [24.38]	80 [24.38]	80 [24.38]	80 [24.38]	80 [24.38]	80 [24.38]									
		3/8 [9.53]	25 [7.62]	50 [15.24]	75 [22.86]	100 [30.48]	100 [30.48]	100 [30.48]	100 [30.48]	100 [30.48]	100 [30.48]	100 [30.48]	100 [30.48]	100 [30.48]	100 [30.48]	100 [30.48]	100 [30.48]								
		7/16 [11.12]	25 [7.62]	50 [15.24]	75 [22.86]	100 [30.48]	100 [30.48]	100 [30.48]	100 [30.48]	100 [30.48]	100 [30.48]	100 [30.48]	100 [30.48]	100 [30.48]	100 [30.48]	100 [30.48]	100 [30.48]								
		1/2 [12.71]	25 [7.62]	50 [15.24]	75 [22.86]	100 [30.48]	100 [30.48]	100 [30.48]	100 [30.48]	100 [30.48]	100 [30.48]	100 [30.48]	100 [30.48]	100 [30.48]	100 [30.48]	100 [30.48]	100 [30.48]								
42	3/8" [9.53]	1/4 [6.35]	15 [4.57]	N/R	N/R	N/R	N/R	N/R	N/R	N/R	N/R	N/R	N/R	N/R	N/R	N/R									
		5/16 [7.94]	25 [7.62]	50 [15.24]	65 [19.81]	55 [16.76]	45 [13.72]	30 [9.14]	20 [6.1]	10 [3.05]	N/R	N/R	N/R	N/R	N/R	N/R									
		3/8 [9.53]	25 [7.62]	50 [15.24]	75 [22.86]	85 [25.91]	80 [24.38]	80 [24.38]	80 [24.38]	80 [24.38]	80 [24.38]	80 [24.38]	80 [24.38]	80 [24.38]	80 [24.38]	80 [24.38]									
		7/16 [11.12]	25 [7.62]	50 [15.24]	75 [22.86]	100 [30.48]	100 [30.48]	100 [30.48]	100 [30.48]	100 [30.48]	100 [30.48]	100 [30.48]	100 [30.48]	100 [30.48]	100 [30.48]	100 [30.48]	100 [30.48]								
		1/2 [12.71]	25 [7.62]	50 [15.24]	75 [22.86]	100 [30.48]	100 [30.48]	100 [30.48]	100 [30.48]	100 [30.48]	100 [30.48]	100 [30.48]	100 [30.48]	100 [30.48]	100 [30.48]	100 [30.48]	100 [30.48]								
48	3/8" [9.53]	1/4 [6.35]	25 [7.62]	50 [15.24]	35 [10.67]	15 [4.57]	N/R	N/R	N/R	N/R	N/R	N/R	N/R	N/R	N/R	N/R									
		5/16 [7.94]	25 [7.62]	50 [15.24]	75 [22.86]	80 [24.38]	80 [24.38]	80 [24.38]	80 [24.38]	80 [24.38]	80 [24.38]	80 [24.38]	80 [24.38]	80 [24.38]	80 [24.38]	80 [24.38]									
		3/8 [9.53]	25 [7.62]	50 [15.24]	75 [22.86]	100 [30.48]	100 [30.48]	100 [30.48]	100 [30.48]	100 [30.48]	100 [30.48]	100 [30.48]	100 [30.48]	100 [30.48]	100 [30.48]	100 [30.48]	100 [30.48]								
		7/16 [11.12]	25 [7.62]	50 [15.24]	75 [22.86]	100 [30.48]	100 [30.48]	100 [30.48]	100 [30.48]	100 [30.48]	100 [30.48]	100 [30.48]	100 [30.48]	100 [30.48]	100 [30.48]	100 [30.48]	100 [30.48]								
		1/2 [12.71]	25 [7.62]	50 [15.24]	75 [22.86]	100 [30.48]	100 [30.48]	100 [30.48]	100 [30.48]	100 [30.48]	100 [30.48]	100 [30.48]	100 [30.48]	100 [30.48]	100 [30.48]	100 [30.48]	100 [30.48]								
60	3/8" [9.53]	1/4 [6.35]	25 [7.62]	50 [15.24]	20 [6.1]	N/R	N/R	N/R	N/R	N/R	N/R	N/R	N/R	N/R	N/R	N/R									
		5/16 [7.94]	25 [7.62]	50 [15.24]	65 [19.81]	55 [16.76]	40 [12.19]	35 [10.67]	25 [7.62]	20 [6.1]	10 [3.05]	N/R	N/R	N/R	N/R	N/R									
		3/8 [9.53]	25 [7.62]	50 [15.24]	75 [22.86]	100 [30.48]	100 [30.48]	100 [30.48]	100 [30.48]	100 [30.48]	100 [30.48]	100 [30.48]	100 [30.48]	100 [30.48]	100 [30.48]	100 [30.48]	100 [30.48]								
		7/16 [11.12]	25 [7.62]	50 [15.24]	75 [22.86]	100 [30.48]	100 [30.48]	100 [30.48]	100 [30.48]	100 [30.48]	100 [30.48]	100 [30.48]	100 [30.48]	100 [30.48]	100 [30.48]	100 [30.48]	100 [30.48]								
		1/2 [12.71]	25 [7.62]	50 [15.24]	75 [22.86]	100 [30.48]	100 [30.48]	100 [30.48]	100 [30.48]	100 [30.48]	100 [30.48]	100 [30.48]	100 [30.48]	100 [30.48]	100 [30.48]	100 [30.48]	100 [30.48]								

NOTES: N/R = Application not recommended. Grey = This application is acceptable, but the long line guidelines must be followed. Reference Long Line Set section in the I&O [ ] Designates Metric Conversions

**Refrigerant Line Size Information (con't.)**

R-410A System Capacity Model	Vapor Line Connection Size (Inch I.D.) [mm]	Vapor Line Size (Inch O.D.) [mm]	Vapor Line Selection Chart Capacity Multiplier Table															
			Total Equivalent Length - Feet [m]															
			25 [7.62]	50 [15.24]	75 [22.86]	100 [30.48]	125 [45.72]	150 [45.72]	175 [53.34]	200 [60.96]	225 [68.58]	250 [76.20]	275 [83.82]	300 [91.44]				
18	3/4" [19.06]	5/8 [15.88]	1.00	0.99	0.99	0.98	0.98	0.98	0.97	0.97	0.97	0.97	0.96	0.96	0.96	0.96	0.95	
			1.00	1.00	1.00	1.00	1.00	1.00	1.00	0.99	0.99	0.99	0.99	0.99	0.99	0.99	0.99	
			N/R	N/R	N/R	N/R	N/R	N/R	N/R	N/R	N/R	N/R	N/R	N/R	N/R	N/R	N/R	N/R
			N/R	N/R	N/R	N/R	N/R	N/R	N/R	N/R	N/R	N/R	N/R	N/R	N/R	N/R	N/R	N/R
			N/R	N/R	N/R	N/R	N/R	N/R	N/R	N/R	N/R	N/R	N/R	N/R	N/R	N/R	N/R	N/R
24	3/4" [19.06]	5/8 [15.88]	0.99	1.00	1.00	0.99	0.98	0.97	0.97	0.96	0.95	0.95	0.94	0.94	0.94	0.93	0.94	
			1.00	1.01	1.01	1.01	1.01	1.01	1.01	1.00	1.00	1.00	0.99	0.99	0.99	0.99	0.99	
			1.00	1.00	1.00	1.00	1.02	1.01	1.01	1.01	1.01	1.01	1.01	1.01	1.01	1.01	1.01	1.00
			N/R	N/R	N/R	N/R	N/R	N/R	N/R	N/R	N/R	N/R	N/R	N/R	N/R	N/R	N/R	N/R
			N/R	N/R	N/R	N/R	N/R	N/R	N/R	N/R	N/R	N/R	N/R	N/R	N/R	N/R	N/R	N/R
30	3/4" [19.06]	5/8 [15.88]	1.00	0.98	0.97	0.97	0.95	0.95	0.95	0.94	0.93	0.93	0.93	0.92	0.92	0.92	0.91	
			1.00	1.00	0.99	0.99	0.99	0.98	0.98	0.98	0.98	0.98	0.98	0.97	0.97	0.97	0.96	
			1.01	1.00	1.00	1.00	1.00	1.00	1.00	0.99	0.99	0.99	0.99	1.00	1.00	1.00	1.00	
			N/R	N/R	N/R	N/R	N/R	N/R	N/R	N/R	N/R	N/R	N/R	N/R	N/R	N/R	N/R	N/R
			N/R	N/R	N/R	N/R	N/R	N/R	N/R	N/R	N/R	N/R	N/R	N/R	N/R	N/R	N/R	N/R
36	3/4" [19.06]	5/8 [15.88]	0.99	0.98	0.97	0.96	0.95	0.95	0.95	0.93	0.93	0.93	0.91	0.9	0.9	0.89	0.88	
			1.00	1.00	0.99	0.99	0.98	0.98	0.98	0.99	0.99	0.99	0.97	0.98	0.97	0.96	0.96	
			1.01	1.01	1.00	1.00	1.00	1.00	1.00	0.99	0.99	0.99	0.99	0.99	0.99	0.99	0.99	
			1.01	1.01	1.01	1.00	1.00	1.00	1.00	1.00	1.00	1.00	1.01	1.00	1.00	1.00	1.00	
			N/R	N/R	N/R	N/R	N/R	N/R	N/R	N/R	N/R	N/R	N/R	N/R	N/R	N/R	N/R	N/R
42	7/8" [22.23]	5/8 [15.88]	1.00	0.97	0.95	0.93	0.92	0.92	0.92	0.91	0.91	0.91	0.89	0.87	0.85	0.85	0.84	
			1.00	1.00	0.99	0.99	0.99	0.97	0.97	0.97	0.97	0.97	0.95	0.95	0.95	0.94	0.93	
			1.00	1.00	1.01	1.00	1.00	1.00	1.00	0.99	0.99	0.99	0.99	0.99	0.99	0.98	0.98	
			1.01	1.00	0.99	1.00	1.00	1.00	1.00	1.01	1.01	1.01	1.00	1.00	1.00	1.00	0.99	
			N/R	N/R	N/R	N/R	N/R	N/R	N/R	N/R	N/R	N/R	N/R	N/R	N/R	N/R	N/R	N/R
48	7/8" [22.23]	5/8 [15.88]	0.98	0.95	0.93	0.92	0.9	0.9	0.88	0.88	0.86	0.85	0.85	0.84	0.82	0.82	0.82	
			0.99	0.98	0.97	0.96	0.96	0.96	0.94	0.94	0.94	0.93	0.93	0.92	0.92	0.92	0.92	
			1.00	1.00	0.98	0.98	0.98	0.97	0.97	0.97	0.97	0.97	0.97	0.96	0.96	0.96	0.96	
			1.00	1.00	0.99	0.99	0.99	0.99	0.99	0.98	0.98	0.98	0.98	0.98	0.98	0.98	0.98	
			1.00	1.00	1.00	0.99	0.99	0.99	0.99	0.99	0.99	0.99	0.99	0.99	0.99	0.99	0.99	0.99
60	7/8" [22.23]	5/8 [15.88]	0.97	0.94	0.91	0.89	0.87	0.87	0.87	N/R	N/R	N/R	N/R	N/R	N/R	N/R	N/R	
			0.99	0.98	0.96	0.95	0.94	0.94	0.94	N/R	N/R	N/R	N/R	N/R	N/R	N/R	N/R	
			1.00	0.99	0.99	0.99	0.98	0.98	0.98	N/R	N/R	N/R	N/R	N/R	N/R	N/R	N/R	
			1.00	1.00	1.00	1.00	1.00	1.00	1.00	N/R	N/R	N/R	N/R	N/R	N/R	N/R	N/R	
			1.00	1.00	1.00	1.00	1.00	1.00	1.00	N/R	N/R	N/R	N/R	N/R	N/R	N/R	N/R	

**NOTES:**  
N/R = Application not recommended.  
All calculations assume a 3/8" liquid line

[ ] Designates Metric Conversions

## Performance Data @ AHRI Standard Conditions – Cooling

High Sales Volume Tested Combination (HSVTC)								
Outdoor Unit	Indoor Coil	Total Capacity BTU/H [kW]	Net Sensible BTU/H [kW]	Net Latent BTU/H [kW]	SEER	EER	Indoor CFM [L/s]	AHRI#
RA1418AJ1	RCF2417STAM	17800 [5.2]	13400 [3.9]	4400 [1.3]	14.00	11.50	600 [283.2]	7489162
RA1424AJ1	RCF2417STAM	24000 [7.0]	18100 [5.3]	5900 [1.7]	14.00	11.50	800 [377.6]	7489163
RA1430AJ1	RCF3617STAM	28800 [8.4]	21800 [6.4]	7000 [2.1]	14.00	11.50	1000 [471.9]	7489164
RA1436AC1	RCF3617STAM	34200 [10.0]	24600 [7.2]	9600 [2.8]	14.00	11.50	1050 [495.5]	7489165
RA1436AD1	RCF3617STAM	34200 [10.0]	24600 [7.2]	9600 [2.8]	14.00	11.50	1050 [495.5]	7599734
RA1436AJ1	RCF3617STAM	34200 [10.0]	24600 [7.2]	9600 [2.8]	14.00	11.50	1050 [495.5]	7489166
RA1442AC1	RCF4821STAM	41500 [12.2]	31200 [9.1]	10300 [3.0]	14.00	11.50	1425 [672.5]	7489167
RA1442AD1	RCF4821STAM	41500 [12.2]	31200 [9.1]	10300 [3.0]	14.00	11.50	1425 [672.5]	7600273
RA1442AJ1	RCF4821STAM	41500 [12.2]	31200 [9.1]	10300 [3.0]	14.00	11.50	1425 [672.5]	7489168
RA1448AC1	RCF4821STAM	46000 [13.5]	33800 [9.9]	12200 [3.6]	14.00	11.70	1450 [684.3]	7489169
RA1448AD1	RCF4821STAM	46000 [13.5]	33800 [9.9]	12200 [3.6]	14.00	11.70	1450 [684.3]	7600595
RA1448AJ1	RCF4821STAM	46000 [13.5]	33800 [9.9]	12200 [3.6]	14.00	11.70	1450 [684.3]	7489170
RA1460AC1	RCF6024STAM	57000 [16.7]	39900 [11.7]	17100 [5.0]	14.00	11.70	1575 [743.3]	7489171
RA1460AD1	RCF6024STAM	57000 [16.7]	39900 [11.7]	17100 [5.0]	14.00	11.70	1575 [743.3]	7600956
RA1460AJ1	RCF6024STAM	57000 [16.7]	39900 [11.7]	17100 [5.0]	14.00	11.70	1575 [743.3]	7489172

Coil Only Ratings								
Outdoor Unit	Indoor Coil	Total Capacity BTU/H [kW]	Net Sensible BTU/H [kW]	Net Latent BTU/H [kW]	SEER	EER	Indoor CFM [L/s]	AHRI#
RA1418AJ1	RCF2414STAM+RXMD-C04	17900 [5.2]	13200 [3.9]	4600 [1.3]	14.00	11.50	600 [283.2]	7490519
	RCF2417HTAM+RXMD-C04	17900 [5.2]	13100 [3.8]	4800 [1.4]	14.00	11.50	600 [283.2]	7493620
	RCF2417MTAM+RXMD-C04	17900 [5.2]	13900 [4.1]	4000 [1.2]	14.00	11.50	600 [283.2]	7493621
	RCF2421MTAM+RXMD-C04	17900 [5.2]	13100 [3.8]	4800 [1.4]	14.00	11.50	600 [283.2]	7493623
	RCF2421HTAM+RXMD-C04	17900 [5.2]	13100 [3.8]	4800 [1.4]	14.00	11.50	600 [283.2]	7493622
RA1424AJ1	RCF2414STAM+RXMD-C04	24000 [7.0]	18100 [5.3]	5900 [1.7]	14.00	11.50	775 [365.8]	7490731
	RCF2417HTAM+RXMD-C04	24000 [7.0]	17200 [5.0]	6800 [2.0]	14.00	11.50	800 [377.6]	7493627
	RCF2417MTAM+RXMD-C04	24000 [7.0]	17200 [5.0]	6800 [2.0]	14.00	11.50	800 [377.6]	7493628
	RCF2421MTAM+RXMD-C04	24000 [7.0]	17200 [5.0]	6800 [2.0]	14.00	11.50	800 [377.6]	7493630
	RCF2421HTAM+RXMD-C04	24000 [7.0]	17200 [5.0]	6800 [2.0]	14.00	11.50	800 [377.6]	7493629
RA1430AJ1	RCF3621HTAM+RXMD-C04	30000 [8.8]	22700 [6.7]	7300 [2.1]	14.50	12.00	1000 [471.9]	8083412
	RCF3621MTAM+RXMD-C04	30000 [8.8]	22700 [6.7]	7300 [2.1]	14.50	12.00	1000 [471.9]	7493634
	RCF3621STAM+RXMD-C04	28600 [8.4]	21800 [6.4]	7000 [2.1]	14.00	11.50	1000 [471.9]	7491039
	RCF3624HTAM+RXMD-C04	30000 [8.8]	22700 [6.7]	7300 [2.1]	14.50	12.00	1000 [471.9]	7493635
	RCF3624MTAM+RXMD-C04	30000 [8.8]	22700 [6.7]	7300 [2.1]	14.50	12.00	1000 [471.9]	7493636
RA1436AJ1	RCF3621HTAM+RXMD-C04	36000 [10.6]	25900 [7.6]	10100 [3.0]	14.50	12.00	1200 [566.3]	8083490
	RCF3621MTAM+RXMD-C04	36000 [10.6]	25900 [7.6]	10100 [3.0]	14.50	12.00	1050 [495.5]	7493647
	RCF3621STAM+RXMD-C04	34200 [10.0]	24600 [7.2]	9600 [2.8]	14.00	11.50	1050 [495.5]	7491601
	RCF3624HTAM+RXMD-C04	36000 [10.6]	25900 [7.6]	10100 [3.0]	14.50	12.00	1050 [495.5]	7493648
	RCF3624MTAM+RXMD-C04	36000 [10.6]	25900 [7.6]	10100 [3.0]	14.50	12.00	1050 [495.5]	7493649
RA1442AJ1	RCF4821MTAM+RXMD-C04	42000 [12.3]	31600 [9.3]	10400 [3.0]	14.00	11.50	1425 [672.5]	8083576
	RCF4824HTAM+RXMD-C04	42000 [12.3]	31600 [9.3]	10400 [3.0]	14.50	12.00	1425 [672.5]	7493658
	RCF4824STAM+RXMD-C04	41500 [12.2]	31200 [9.1]	10300 [3.0]	14.00	11.50	1375 [648.9]	7492068
RA1448AJ1	RCF4821MTAM+RXMD-C04	47000 [13.8]	32600 [9.6]	14400 [4.2]	14.00	11.70	1550 [731.5]	8083649
	RCF4824HTAM+RXMD-C04	47500 [13.9]	33500 [9.8]	14500 [4.2]	14.00	11.70	1450 [684.3]	7492414
	RCF4824STAM+RXMD-C04	45500 [13.3]	33800 [9.9]	12200 [3.6]	14.00	11.70	1375 [648.9]	7492437
RA1460AJ1	RCF6024HTAM+RXMD-C04	57000 [16.7]	39900 [11.7]	17100 [5.0]	14.00	11.70	1575 [743.3]	7492636

[ ] Designates Metric Conversions

## Performance Data @ AHRI Standard Conditions – Cooling (con't.)

R801T: Achiever Plus Single-Stage X-13 80% Furnace Ratings									
Outdoor Unit	Furnace	Indoor Coil	Total Capacity BTU/H [kW]	Net Sensible BTU/H [kW]	Net Latent BTU/H [kW]	SEER	EER	Indoor CFM [L/s]	AHRI#
RA1418AJ1	R801TA050314MSA	RCF2414STAM	18000 [5.3]	13700 [4.0]	4300 [1.3]	16.00	13.00	625 [295.0]	7522118
RA1418AJ1	R801TA050314MSA	RCF2414STAM	18000 [5.3]	13700 [4.0]	4300 [1.3]	16.00	13.00	625 [295.0]	7522118
		RCF2417HTAM	18000 [5.3]	13700 [4.0]	4300 [1.3]	16.00	13.00	625 [295.0]	7500935
RA1418AJ1	R801TA050314MSA	RCF2417HTAM	18000 [5.3]	13700 [4.0]	4300 [1.3]	16.00	13.00	625 [295.0]	7500935
		RCF2417MTAM	18000 [5.3]	13700 [4.0]	4300 [1.3]	16.00	13.00	625 [295.0]	7500937
RA1418AJ1	R801TA050314MSA	RCF2417MTAM	18000 [5.3]	13700 [4.0]	4300 [1.3]	16.00	13.00	625 [295.0]	7500937
		RCF2417STAM	18000 [5.3]	13700 [4.0]	4300 [1.3]	16.00	13.00	625 [295.0]	7500939
RA1418AJ1	R801TA050314MSA	RCF2417STAM	18000 [5.3]	13700 [4.0]	4300 [1.3]	16.00	13.00	625 [295.0]	7500939
RA1418AJ1	R801TA050314MXA	RCF2414STAM	18000 [5.3]	13700 [4.0]	4300 [1.3]	16.00	13.00	625 [295.0]	8052679
RA1418AJ1	R801TA050314MXA	RCF2414STAM	18000 [5.3]	13700 [4.0]	4300 [1.3]	16.00	13.00	625 [295.0]	8052679
		RCF2417HTAM	18000 [5.3]	13700 [4.0]	4300 [1.3]	16.00	13.00	625 [295.0]	8052680
RA1418AJ1	R801TA050314MXA	RCF2417HTAM	18000 [5.3]	13700 [4.0]	4300 [1.3]	16.00	13.00	625 [295.0]	8052680
		RCF2417MTAM	18000 [5.3]	13700 [4.0]	4300 [1.3]	16.00	13.00	625 [295.0]	8052685
RA1418AJ1	R801TA050314MXA	RCF2417MTAM	18000 [5.3]	13700 [4.0]	4300 [1.3]	16.00	13.00	625 [295.0]	8052685
		RCF2417STAM	18000 [5.3]	13700 [4.0]	4300 [1.3]	16.00	13.00	625 [295.0]	8052690
RA1418AJ1	R801TA050314MXA	RCF2417STAM	18000 [5.3]	13700 [4.0]	4300 [1.3]	16.00	13.00	625 [295.0]	8052690
RA1418AJ1	R801TA075317ZSA	RCF2417HTAM	18000 [5.3]	13700 [4.0]	4300 [1.3]	16.00	13.00	650 [306.8]	7500936
RA1418AJ1	R801TA075317ZSA	RCF2417HTAM	18000 [5.3]	13700 [4.0]	4300 [1.3]	16.00	13.00	650 [306.8]	7500936
		RCF2417MTAM	18000 [5.3]	13700 [4.0]	4300 [1.3]	16.00	13.00	650 [306.8]	7500938
RA1418AJ1	R801TA075317ZSA	RCF2417MTAM	18000 [5.3]	13700 [4.0]	4300 [1.3]	16.00	13.00	650 [306.8]	7500938
		RCF2417STAM	18000 [5.3]	13700 [4.0]	4300 [1.3]	16.00	13.00	650 [306.8]	7500940
RA1418AJ1	R801TA075317ZSA	RCF2417STAM	18000 [5.3]	13700 [4.0]	4300 [1.3]	16.00	13.00	650 [306.8]	7500940
		RCF2421MTAM	18000 [5.3]	13700 [4.0]	4300 [1.3]	16.00	13.00	650 [306.8]	7500942
RA1418AJ1	R801TA075317ZSA	RCF2421MTAM	18000 [5.3]	13700 [4.0]	4300 [1.3]	16.00	13.00	650 [306.8]	7500942
RA1418AJ1	R801TA075317ZSB	RCF2417HTAM	18000 [5.3]	13700 [4.0]	4300 [1.3]	16.00	13.00	650 [306.8]	8386947
RA1418AJ1	R801TA075317ZSB	RCF2417HTAM	18000 [5.3]	13700 [4.0]	4300 [1.3]	16.00	13.00	650 [306.8]	8386947
		RCF2417MTAM	18000 [5.3]	13700 [4.0]	4300 [1.3]	16.00	13.00	650 [306.8]	8386955
RA1418AJ1	R801TA075317ZSB	RCF2417MTAM	18000 [5.3]	13700 [4.0]	4300 [1.3]	16.00	13.00	650 [306.8]	8386955
		RCF2417STAM	18000 [5.3]	13700 [4.0]	4300 [1.3]	16.00	13.00	650 [306.8]	8386963
RA1418AJ1	R801TA075317ZSB	RCF2417STAM	18000 [5.3]	13700 [4.0]	4300 [1.3]	16.00	13.00	650 [306.8]	8386963
		RCF2421MTAM	18000 [5.3]	13700 [4.0]	4300 [1.3]	16.00	13.00	650 [306.8]	8386983
RA1418AJ1	R801TA075317ZSB	RCF2421MTAM	18000 [5.3]	13700 [4.0]	4300 [1.3]	16.00	13.00	650 [306.8]	8386983
RA1418AJ1	R801TA075317ZXA	RCF2417HTAM	18000 [5.3]	13700 [4.0]	4300 [1.3]	16.00	13.00	650 [306.8]	8052681
RA1418AJ1	R801TA075317ZXA	RCF2417HTAM	18000 [5.3]	13700 [4.0]	4300 [1.3]	16.00	13.00	650 [306.8]	8052681
		RCF2417MTAM	18000 [5.3]	13700 [4.0]	4300 [1.3]	16.00	13.00	650 [306.8]	8052686
RA1418AJ1	R801TA075317ZXA	RCF2417MTAM	18000 [5.3]	13700 [4.0]	4300 [1.3]	16.00	13.00	650 [306.8]	8052686
		RCF2417STAM	18000 [5.3]	13700 [4.0]	4300 [1.3]	16.00	13.00	650 [306.8]	8052691
RA1418AJ1	R801TA075317ZXA	RCF2417STAM	18000 [5.3]	13700 [4.0]	4300 [1.3]	16.00	13.00	650 [306.8]	8052691
		RCF2421MTAM	18000 [5.3]	13700 [4.0]	4300 [1.3]	16.00	13.00	650 [306.8]	8052701
RA1418AJ1	R801TA075317ZXA	RCF2421MTAM	18000 [5.3]	13700 [4.0]	4300 [1.3]	16.00	13.00	650 [306.8]	8052701
RA1418AJ1	R801TA075317ZXB	RCF2417HTAM	18000 [5.3]	13700 [4.0]	4300 [1.3]	16.00	13.00	650 [306.8]	8386948
RA1418AJ1	R801TA075317ZXB	RCF2417HTAM	18000 [5.3]	13700 [4.0]	4300 [1.3]	16.00	13.00	650 [306.8]	8386948
		RCF2417MTAM	18000 [5.3]	13700 [4.0]	4300 [1.3]	16.00	13.00	650 [306.8]	8386956
RA1418AJ1	R801TA075317ZXB	RCF2417MTAM	18000 [5.3]	13700 [4.0]	4300 [1.3]	16.00	13.00	650 [306.8]	8386956
		RCF2417STAM	18000 [5.3]	13700 [4.0]	4300 [1.3]	16.00	13.00	650 [306.8]	8386964
RA1418AJ1	R801TA075317ZXB	RCF2417STAM	18000 [5.3]	13700 [4.0]	4300 [1.3]	16.00	13.00	650 [306.8]	8386964
		RCF2421MTAM	18000 [5.3]	13700 [4.0]	4300 [1.3]	16.00	13.00	650 [306.8]	8386984
RA1418AJ1	R801TA075317ZXB	RCF2421MTAM	18000 [5.3]	13700 [4.0]	4300 [1.3]	16.00	13.00	650 [306.8]	8386984
RA1418AJ1	R801TB075317ZSB	RCF2417HTAM	18000 [5.3]	13700 [4.0]	4300 [1.3]	16.00	13.00	650 [306.8]	8386949

[ ] Designates Metric Conversions



## Performance Data @ AHRI Standard Conditions – Cooling (con't.)

R801T: Achiever Plus Single-Stage X-13 80% Furnace Ratings									
Outdoor Unit	Furnace	Indoor Coil	Total Capacity BTU/H [kW]	Net Sensible BTU/H [kW]	Net Latent BTU/H [kW]	SEER	EER	Indoor CFM [L/s]	AHRI#
RA1418AJ1	R801TB075317ZSB	RCF2417HTAM	18000 [5.3]	13700 [4.0]	4300 [1.3]	16.00	13.00	650 [306.8]	8386949
		RCF2417MTAM	18000 [5.3]	13700 [4.0]	4300 [1.3]	16.00	13.00	650 [306.8]	8386957
RA1418AJ1	R801TB075317ZSB	RCF2417MTAM	18000 [5.3]	13700 [4.0]	4300 [1.3]	16.00	13.00	650 [306.8]	8386957
		RCF2417STAM	18000 [5.3]	13700 [4.0]	4300 [1.3]	16.00	13.00	650 [306.8]	8386965
RA1418AJ1	R801TB075317ZSB	RCF2417STAM	18000 [5.3]	13700 [4.0]	4300 [1.3]	16.00	13.00	650 [306.8]	8386965
		RCF2421MTAM	18000 [5.3]	13700 [4.0]	4300 [1.3]	16.00	13.00	650 [306.8]	8386985
RA1418AJ1	R801TB075317ZSB	RCF2421MTAM	18000 [5.3]	13700 [4.0]	4300 [1.3]	16.00	13.00	650 [306.8]	8386985
RA1418AJ1	R801TB075317ZXB	RCF2417HTAM	18000 [5.3]	13700 [4.0]	4300 [1.3]	16.00	13.00	650 [306.8]	8386950
RA1418AJ1	R801TB075317ZXB	RCF2417HTAM	18000 [5.3]	13700 [4.0]	4300 [1.3]	16.00	13.00	650 [306.8]	8386950
		RCF2417MTAM	18000 [5.3]	13700 [4.0]	4300 [1.3]	16.00	13.00	650 [306.8]	8386958
RA1418AJ1	R801TB075317ZXB	RCF2417MTAM	18000 [5.3]	13700 [4.0]	4300 [1.3]	16.00	13.00	650 [306.8]	8386958
		RCF2417STAM	18000 [5.3]	13700 [4.0]	4300 [1.3]	16.00	13.00	650 [306.8]	8386966
RA1418AJ1	R801TB075317ZXB	RCF2417STAM	18000 [5.3]	13700 [4.0]	4300 [1.3]	16.00	13.00	650 [306.8]	8386966
		RCF2421MTAM	18000 [5.3]	13700 [4.0]	4300 [1.3]	16.00	13.00	650 [306.8]	8386986
RA1418AJ1	R801TB075317ZXB	RCF2421MTAM	18000 [5.3]	13700 [4.0]	4300 [1.3]	16.00	13.00	650 [306.8]	8386986
RA1418AJ1	R801TA075317ZSA	RCF2421HTAM	18000 [5.3]	13700 [4.0]	4300 [1.3]	16.00	13.00	650 [306.8]	7500941
RA1418AJ1	R801TA075317ZSA	RCF2421HTAM	18000 [5.3]	13700 [4.0]	4300 [1.3]	16.00	13.00	650 [306.8]	7500941
RA1418AJ1	R801TA075317ZSB	RCF2421HTAM	18000 [5.3]	13700 [4.0]	4300 [1.3]	16.00	13.00	650 [306.8]	8386971
RA1418AJ1	R801TA075317ZSB	RCF2421HTAM	18000 [5.3]	13700 [4.0]	4300 [1.3]	16.00	13.00	650 [306.8]	8386971
RA1418AJ1	R801TA075317ZXA	RCF2421HTAM	18000 [5.3]	13700 [4.0]	4300 [1.3]	16.00	13.00	650 [306.8]	8052695
RA1418AJ1	R801TA075317ZXA	RCF2421HTAM	18000 [5.3]	13700 [4.0]	4300 [1.3]	16.00	13.00	650 [306.8]	8052695
RA1418AJ1	R801TA075317ZXB	RCF2421HTAM	18000 [5.3]	13700 [4.0]	4300 [1.3]	16.00	13.00	650 [306.8]	8386972
RA1418AJ1	R801TA075317ZXB	RCF2421HTAM	18000 [5.3]	13700 [4.0]	4300 [1.3]	16.00	13.00	650 [306.8]	8386972
RA1418AJ1	R801TB075317ZSB	RCF2421HTAM	18000 [5.3]	13700 [4.0]	4300 [1.3]	16.00	13.00	650 [306.8]	8386973
RA1418AJ1	R801TB075317ZSB	RCF2421HTAM	18000 [5.3]	13700 [4.0]	4300 [1.3]	16.00	13.00	650 [306.8]	8386973
RA1418AJ1	R801TB075317ZXB	RCF2421HTAM	18000 [5.3]	13700 [4.0]	4300 [1.3]	16.00	13.00	650 [306.8]	8386974
RA1418AJ1	R801TB075317ZXB	RCF2421HTAM	18000 [5.3]	13700 [4.0]	4300 [1.3]	16.00	13.00	650 [306.8]	8386974
RA1424AJ1	R801TA050314MSA	RCF2414STAM	24000 [7.0]	18100 [5.3]	5900 [1.7]	15.50	13.00	800 [377.6]	7522121
RA1424AJ1	R801TA050314MSA	RCF2414STAM	24000 [7.0]	18100 [5.3]	5900 [1.7]	15.50	13.00	800 [377.6]	7522121
		RCF2417HTAM	24000 [7.0]	18100 [5.3]	5900 [1.7]	16.00	13.00	875 [413.0]	7500952
RA1424AJ1	R801TA050314MSA	RCF2417HTAM	24000 [7.0]	18100 [5.3]	5900 [1.7]	16.00	13.00	875 [413.0]	7500952
		RCF2417MTAM	24000 [7.0]	18100 [5.3]	5900 [1.7]	16.00	13.00	850 [401.2]	7500954
RA1424AJ1	R801TA050314MSA	RCF2417MTAM	24000 [7.0]	18100 [5.3]	5900 [1.7]	16.00	13.00	850 [401.2]	7500954
		RCF2417STAM	24000 [7.0]	18100 [5.3]	5900 [1.7]	15.10	12.50	825 [389.4]	7500956
RA1424AJ1	R801TA050314MSA	RCF2417STAM	24000 [7.0]	18100 [5.3]	5900 [1.7]	15.10	12.50	825 [389.4]	7500956
RA1424AJ1	R801TA050314MXA	RCF2414STAM	24000 [7.0]	18100 [5.3]	5900 [1.7]	15.50	13.00	800 [377.6]	8052737
RA1424AJ1	R801TA050314MXA	RCF2414STAM	24000 [7.0]	18100 [5.3]	5900 [1.7]	15.50	13.00	800 [377.6]	8052737
		RCF2417HTAM	24000 [7.0]	18100 [5.3]	5900 [1.7]	16.00	13.00	875 [413.0]	8052738
RA1424AJ1	R801TA050314MXA	RCF2417HTAM	24000 [7.0]	18100 [5.3]	5900 [1.7]	16.00	13.00	875 [413.0]	8052738
		RCF2417MTAM	24000 [7.0]	18100 [5.3]	5900 [1.7]	16.00	13.00	850 [401.2]	8052743
RA1424AJ1	R801TA050314MXA	RCF2417MTAM	24000 [7.0]	18100 [5.3]	5900 [1.7]	16.00	13.00	850 [401.2]	8052743
		RCF2417STAM	24000 [7.0]	18100 [5.3]	5900 [1.7]	15.10	12.50	825 [389.4]	8052748
RA1424AJ1	R801TA050314MXA	RCF2417STAM	24000 [7.0]	18100 [5.3]	5900 [1.7]	15.10	12.50	825 [389.4]	8052748
RA1424AJ1	R801TA075317ZSA	RCF2417HTAM	24000 [7.0]	18100 [5.3]	5900 [1.7]	15.50	13.00	875 [413.0]	7500953
RA1424AJ1	R801TA075317ZSA	RCF2417HTAM	24000 [7.0]	18100 [5.3]	5900 [1.7]	15.50	13.00	875 [413.0]	7500953
		RCF2417MTAM	24000 [7.0]	18100 [5.3]	5900 [1.7]	15.50	13.00	875 [413.0]	7500955
RA1424AJ1	R801TA075317ZSA	RCF2417MTAM	24000 [7.0]	18100 [5.3]	5900 [1.7]	15.50	13.00	875 [413.0]	7500955
		RCF2417STAM	23800 [7.0]	17500 [5.1]	6300 [1.8]	15.50	13.00	650 [306.8]	7500957

[ ] Designates Metric Conversions

## Performance Data @ AHRI Standard Conditions – Cooling (con't.)

R801T: Achiever Plus Single-Stage X-13 80% Furnace Ratings									
Outdoor Unit	Furnace	Indoor Coil	Total Capacity BTU/H [kW]	Net Sensible BTU/H [kW]	Net Latent BTU/H [kW]	SEER	EER	Indoor CFM [L/s]	AHRI#
RA1424AJ1	R801TA075317ZSA	RCF2417STAM	23800 [7.0]	17500 [5.1]	6300 [1.8]	15.50	13.00	650 [306.8]	7500957
		RCF2421MTAM	24000 [7.0]	18100 [5.3]	5900 [1.7]	15.50	13.00	875 [413.0]	7500959
RA1424AJ1	R801TA075317ZSA	RCF2421MTAM	24000 [7.0]	18100 [5.3]	5900 [1.7]	15.50	13.00	875 [413.0]	7500959
RA1424AJ1	R801TA075317ZSB	RCF2417HTAM	24000 [7.0]	18100 [5.3]	5900 [1.7]	15.10	12.50	875 [413.0]	8387045
RA1424AJ1	R801TA075317ZSB	RCF2417HTAM	24000 [7.0]	18100 [5.3]	5900 [1.7]	15.10	12.50	875 [413.0]	8387045
		RCF2417MTAM	24000 [7.0]	18100 [5.3]	5900 [1.7]	15.10	12.50	875 [413.0]	8387054
RA1424AJ1	R801TA075317ZSB	RCF2417MTAM	24000 [7.0]	18100 [5.3]	5900 [1.7]	15.10	12.50	875 [413.0]	8387054
		RCF2417STAM	23800 [7.0]	17500 [5.1]	6300 [1.8]	15.50	13.00	650 [306.8]	8387063
RA1424AJ1	R801TA075317ZSB	RCF2417STAM	23800 [7.0]	17500 [5.1]	6300 [1.8]	15.50	13.00	650 [306.8]	8387063
		RCF2421MTAM	24000 [7.0]	18100 [5.3]	5900 [1.7]	15.10	12.50	875 [413.0]	8387087
RA1424AJ1	R801TA075317ZSB	RCF2421MTAM	24000 [7.0]	18100 [5.3]	5900 [1.7]	15.10	12.50	875 [413.0]	8387087
RA1424AJ1	R801TA075317ZXA	RCF2417HTAM	24000 [7.0]	18100 [5.3]	5900 [1.7]	15.50	13.00	875 [413.0]	8052739
RA1424AJ1	R801TA075317ZXA	RCF2417HTAM	24000 [7.0]	18100 [5.3]	5900 [1.7]	15.50	13.00	875 [413.0]	8052739
		RCF2417MTAM	24000 [7.0]	18100 [5.3]	5900 [1.7]	15.50	13.00	875 [413.0]	8052744
RA1424AJ1	R801TA075317ZXA	RCF2417MTAM	24000 [7.0]	18100 [5.3]	5900 [1.7]	15.50	13.00	875 [413.0]	8052744
		RCF2417STAM	23800 [7.0]	17500 [5.1]	6300 [1.8]	15.50	13.00	650 [306.8]	8052749
RA1424AJ1	R801TA075317ZXA	RCF2417STAM	23800 [7.0]	17500 [5.1]	6300 [1.8]	15.50	13.00	650 [306.8]	8052749
		RCF2421MTAM	24000 [7.0]	18100 [5.3]	5900 [1.7]	15.50	13.00	875 [413.0]	8052761
RA1424AJ1	R801TA075317ZXA	RCF2421MTAM	24000 [7.0]	18100 [5.3]	5900 [1.7]	15.50	13.00	875 [413.0]	8052761
RA1424AJ1	R801TA075317ZXB	RCF2417HTAM	24000 [7.0]	18100 [5.3]	5900 [1.7]	15.10	12.50	875 [413.0]	8387046
RA1424AJ1	R801TA075317ZXB	RCF2417HTAM	24000 [7.0]	18100 [5.3]	5900 [1.7]	15.10	12.50	875 [413.0]	8387046
		RCF2417MTAM	24000 [7.0]	18100 [5.3]	5900 [1.7]	15.10	12.50	875 [413.0]	8387055
RA1424AJ1	R801TA075317ZXB	RCF2417MTAM	24000 [7.0]	18100 [5.3]	5900 [1.7]	15.10	12.50	875 [413.0]	8387055
		RCF2417STAM	23800 [7.0]	17500 [5.1]	6300 [1.8]	15.50	13.00	650 [306.8]	8387064
RA1424AJ1	R801TA075317ZXB	RCF2417STAM	23800 [7.0]	17500 [5.1]	6300 [1.8]	15.50	13.00	650 [306.8]	8387064
		RCF2421MTAM	24000 [7.0]	18100 [5.3]	5900 [1.7]	15.10	12.50	875 [413.0]	8387088
RA1424AJ1	R801TA075317ZXB	RCF2421MTAM	24000 [7.0]	18100 [5.3]	5900 [1.7]	15.10	12.50	875 [413.0]	8387088
RA1424AJ1	R801TB075317ZSB	RCF2417HTAM	24000 [7.0]	18100 [5.3]	5900 [1.7]	15.10	12.50	875 [413.0]	8387047
RA1424AJ1	R801TB075317ZSB	RCF2417HTAM	24000 [7.0]	18100 [5.3]	5900 [1.7]	15.10	12.50	875 [413.0]	8387047
		RCF2417MTAM	24000 [7.0]	18100 [5.3]	5900 [1.7]	15.10	12.50	875 [413.0]	8387056
RA1424AJ1	R801TB075317ZSB	RCF2417MTAM	24000 [7.0]	18100 [5.3]	5900 [1.7]	15.10	12.50	875 [413.0]	8387056
		RCF2417STAM	23800 [7.0]	17500 [5.1]	6300 [1.8]	15.50	13.00	650 [306.8]	8387065
RA1424AJ1	R801TB075317ZSB	RCF2417STAM	23800 [7.0]	17500 [5.1]	6300 [1.8]	15.50	13.00	650 [306.8]	8387065
		RCF2421MTAM	24000 [7.0]	18100 [5.3]	5900 [1.7]	15.10	12.50	875 [413.0]	8387089
RA1424AJ1	R801TB075317ZSB	RCF2421MTAM	24000 [7.0]	18100 [5.3]	5900 [1.7]	15.10	12.50	875 [413.0]	8387089
RA1424AJ1	R801TB075317ZXB	RCF2417HTAM	24000 [7.0]	18100 [5.3]	5900 [1.7]	15.10	12.50	875 [413.0]	8387048
RA1424AJ1	R801TB075317ZXB	RCF2417HTAM	24000 [7.0]	18100 [5.3]	5900 [1.7]	15.10	12.50	875 [413.0]	8387048
		RCF2417MTAM	24000 [7.0]	18100 [5.3]	5900 [1.7]	15.10	12.50	875 [413.0]	8387057
RA1424AJ1	R801TB075317ZXB	RCF2417MTAM	24000 [7.0]	18100 [5.3]	5900 [1.7]	15.10	12.50	875 [413.0]	8387057
		RCF2417STAM	23800 [7.0]	17500 [5.1]	6300 [1.8]	15.50	13.00	650 [306.8]	8387066
RA1424AJ1	R801TB075317ZXB	RCF2417STAM	23800 [7.0]	17500 [5.1]	6300 [1.8]	15.50	13.00	650 [306.8]	8387066
		RCF2421MTAM	24000 [7.0]	18100 [5.3]	5900 [1.7]	15.10	12.50	875 [413.0]	8387090
RA1424AJ1	R801TB075317ZXB	RCF2421MTAM	24000 [7.0]	18100 [5.3]	5900 [1.7]	15.10	12.50	875 [413.0]	8387090
RA1424AJ1	R801TA075317ZSA	RCF2421HTAM	24000 [7.0]	18100 [5.3]	5900 [1.7]	15.50	13.00	875 [413.0]	7500958
RA1424AJ1	R801TA075317ZSA	RCF2421HTAM	24000 [7.0]	18100 [5.3]	5900 [1.7]	15.50	13.00	875 [413.0]	7500958
RA1424AJ1	R801TA075317ZSB	RCF2421HTAM	24000 [7.0]	18100 [5.3]	5900 [1.7]	15.10	12.50	875 [413.0]	8387072
RA1424AJ1	R801TA075317ZSB	RCF2421HTAM	24000 [7.0]	18100 [5.3]	5900 [1.7]	15.10	12.50	875 [413.0]	8387072
RA1424AJ1	R801TA075317ZXA	RCF2421HTAM	24000 [7.0]	18100 [5.3]	5900 [1.7]	15.50	13.00	875 [413.0]	8052753
RA1424AJ1	R801TA075317ZXA	RCF2421HTAM	24000 [7.0]	18100 [5.3]	5900 [1.7]	15.50	13.00	875 [413.0]	8052753

[ ] Designates Metric Conversions

## Performance Data @ AHRI Standard Conditions – Cooling (con't.)

R801T: Achiever Plus Single-Stage X-13 80% Furnace Ratings									
Outdoor Unit	Furnace	Indoor Coil	Total Capacity BTU/H [kW]	Net Sensible BTU/H [kW]	Net Latent BTU/H [kW]	SEER	EER	Indoor CFM [L/s]	AHRI#
RA1424AJ1	R801TA075317ZXB	RCF2421HTAM	24000 [7.0]	18100 [5.3]	5900 [1.7]	15.10	12.50	875 [413.0]	8387073
RA1424AJ1	R801TA075317ZXB	RCF2421HTAM	24000 [7.0]	18100 [5.3]	5900 [1.7]	15.10	12.50	875 [413.0]	8387073
RA1424AJ1	R801TB075317ZSB	RCF2421HTAM	24000 [7.0]	18100 [5.3]	5900 [1.7]	15.10	12.50	875 [413.0]	8387074
RA1424AJ1	R801TB075317ZSB	RCF2421HTAM	24000 [7.0]	18100 [5.3]	5900 [1.7]	15.10	12.50	875 [413.0]	8387074
RA1424AJ1	R801TB075317ZXB	RCF2421HTAM	24000 [7.0]	18100 [5.3]	5900 [1.7]	15.10	12.50	875 [413.0]	8387075
RA1424AJ1	R801TB075317ZXB	RCF2421HTAM	24000 [7.0]	18100 [5.3]	5900 [1.7]	15.10	12.50	875 [413.0]	8387075
RA1430AJ1	R801TA050314MSA	RCF3617STAM	28600 [8.4]	22200 [6.5]	7000 [2.1]	15.50	13.00	850 [401.2]	7500969
RA1430AJ1	R801TA050314MSA	RCF3617STAM	28600 [8.4]	22200 [6.5]	7000 [2.1]	15.50	13.00	850 [401.2]	7500969
RA1430AJ1	R801TA050314MXA	RCF3617STAM	28600 [8.4]	22200 [6.5]	7000 [2.1]	15.50	13.00	850 [401.2]	8052803
RA1430AJ1	R801TA050314MXA	RCF3617STAM	28600 [8.4]	22200 [6.5]	7000 [2.1]	15.50	13.00	850 [401.2]	8052803
RA1430AJ1	R801TA075317ZSA	RCF3617STAM	28600 [8.4]	21200 [6.2]	7400 [2.2]	15.10	12.50	875 [413.0]	7500970
RA1430AJ1	R801TA075317ZSA	RCF3617STAM	28600 [8.4]	21200 [6.2]	7400 [2.2]	15.10	12.50	875 [413.0]	7500970
RA1430AJ1	R801TA075317ZSA	RCF3621MTAM	30000 [8.8]	22700 [6.7]	7300 [2.1]	16.00	13.00	875 [413.0]	7500972
RA1430AJ1	R801TA075317ZSA	RCF3621MTAM	30000 [8.8]	22700 [6.7]	7300 [2.1]	16.00	13.00	875 [413.0]	7500972
RA1430AJ1	R801TA075317ZSA	RCF3621STAM	28600 [8.4]	21200 [6.2]	7400 [2.2]	15.10	12.50	875 [413.0]	7500977
RA1430AJ1	R801TA075317ZSA	RCF3621STAM	28600 [8.4]	21200 [6.2]	7400 [2.2]	15.10	12.50	875 [413.0]	7500977
RA1430AJ1	R801TA075317ZSB	RCF3617STAM	28600 [8.4]	21200 [6.2]	7400 [2.2]	15.10	12.50	875 [413.0]	8387165
RA1430AJ1	R801TA075317ZSB	RCF3617STAM	28600 [8.4]	21200 [6.2]	7400 [2.2]	15.10	12.50	875 [413.0]	8387165
RA1430AJ1	R801TA075317ZSB	RCF3621MTAM	30000 [8.8]	22700 [6.7]	7300 [2.1]	16.00	13.00	875 [413.0]	8387182
RA1430AJ1	R801TA075317ZSB	RCF3621MTAM	30000 [8.8]	22700 [6.7]	7300 [2.1]	16.00	13.00	875 [413.0]	8387182
RA1430AJ1	R801TA075317ZSB	RCF3621STAM	28600 [8.4]	21200 [6.2]	7400 [2.2]	15.10	12.50	875 [413.0]	8387211
RA1430AJ1	R801TA075317ZSB	RCF3621STAM	28600 [8.4]	21200 [6.2]	7400 [2.2]	15.10	12.50	875 [413.0]	8387211
RA1430AJ1	R801TA075317ZXA	RCF3617STAM	28600 [8.4]	21200 [6.2]	7400 [2.2]	15.10	12.50	875 [413.0]	8052804
RA1430AJ1	R801TA075317ZXA	RCF3617STAM	28600 [8.4]	21200 [6.2]	7400 [2.2]	15.10	12.50	875 [413.0]	8052804
RA1430AJ1	R801TA075317ZXA	RCF3621MTAM	30000 [8.8]	22700 [6.7]	7300 [2.1]	16.00	13.00	875 [413.0]	8052809
RA1430AJ1	R801TA075317ZXA	RCF3621MTAM	30000 [8.8]	22700 [6.7]	7300 [2.1]	16.00	13.00	875 [413.0]	8052809
RA1430AJ1	R801TA075317ZXA	RCF3621STAM	28600 [8.4]	21200 [6.2]	7400 [2.2]	15.10	12.50	875 [413.0]	8052822
RA1430AJ1	R801TA075317ZXA	RCF3621STAM	28600 [8.4]	21200 [6.2]	7400 [2.2]	15.10	12.50	875 [413.0]	8052822
RA1430AJ1	R801TA075317ZXB	RCF3617STAM	28600 [8.4]	21200 [6.2]	7400 [2.2]	15.10	12.50	875 [413.0]	8387166
RA1430AJ1	R801TA075317ZXB	RCF3617STAM	28600 [8.4]	21200 [6.2]	7400 [2.2]	15.10	12.50	875 [413.0]	8387166
RA1430AJ1	R801TA075317ZXB	RCF3621MTAM	30000 [8.8]	22700 [6.7]	7300 [2.1]	16.00	13.00	875 [413.0]	8387183
RA1430AJ1	R801TA075317ZXB	RCF3621MTAM	30000 [8.8]	22700 [6.7]	7300 [2.1]	16.00	13.00	875 [413.0]	8387183
RA1430AJ1	R801TA075317ZXB	RCF3621STAM	28600 [8.4]	21200 [6.2]	7400 [2.2]	15.10	12.50	875 [413.0]	8387212
RA1430AJ1	R801TA075317ZXB	RCF3621STAM	28600 [8.4]	21200 [6.2]	7400 [2.2]	15.10	12.50	875 [413.0]	8387212
RA1430AJ1	R801TA075417MSA	RCF3617STAM	29200 [8.6]	22200 [6.5]	7000 [2.1]	15.10	12.50	1000 [471.9]	7500971
RA1430AJ1	R801TA075417MSA	RCF3617STAM	29200 [8.6]	22200 [6.5]	7000 [2.1]	15.10	12.50	1000 [471.9]	7500971
RA1430AJ1	R801TA075417MSA	RCF3621HTAM	30000 [8.8]	22700 [6.7]	7300 [2.1]	16.00	13.00	1050 [495.5]	8083389
RA1430AJ1	R801TA075417MSA	RCF3621HTAM	30000 [8.8]	22700 [6.7]	7300 [2.1]	16.00	13.00	1050 [495.5]	8083389
RA1430AJ1	R801TA075417MSA	RCF3621MTAM	30000 [8.8]	22700 [6.7]	7300 [2.1]	16.00	13.00	1050 [495.5]	7500973
RA1430AJ1	R801TA075417MSA	RCF3621MTAM	30000 [8.8]	22700 [6.7]	7300 [2.1]	16.00	13.00	1050 [495.5]	7500973
RA1430AJ1	R801TA075417MSA	RCF3621STAM	29200 [8.6]	22200 [6.5]	7000 [2.1]	15.10	12.50	1025 [483.7]	7500978
RA1430AJ1	R801TA075417MSA	RCF3621STAM	29200 [8.6]	22200 [6.5]	7000 [2.1]	15.10	12.50	1025 [483.7]	7500978
RA1430AJ1	R801TA075417MXA	RCF3617STAM	29200 [8.6]	22200 [6.5]	7000 [2.1]	15.10	12.50	1000 [471.9]	8052805
RA1430AJ1	R801TA075417MXA	RCF3617STAM	29200 [8.6]	22200 [6.5]	7000 [2.1]	15.10	12.50	1000 [471.9]	8052805
RA1430AJ1	R801TA075417MXA	RCF3621HTAM	30000 [8.8]	22700 [6.7]	7300 [2.1]	16.00	13.00	1050 [495.5]	8387176
RA1430AJ1	R801TA075417MXA	RCF3621HTAM	30000 [8.8]	22700 [6.7]	7300 [2.1]	16.00	13.00	1050 [495.5]	8387176
RA1430AJ1	R801TA075417MXA	RCF3621MTAM	30000 [8.8]	22700 [6.7]	7300 [2.1]	16.00	13.00	1050 [495.5]	8052810
RA1430AJ1	R801TA075417MXA	RCF3621MTAM	30000 [8.8]	22700 [6.7]	7300 [2.1]	16.00	13.00	1050 [495.5]	8052810
RA1430AJ1	R801TA075417MXA	RCF3621STAM	29200 [8.6]	22200 [6.5]	7000 [2.1]	15.10	12.50	1025 [483.7]	8052823
RA1430AJ1	R801TA075417MXA	RCF3621STAM	29200 [8.6]	22200 [6.5]	7000 [2.1]	15.10	12.50	1025 [483.7]	8052823

[ ] Designates Metric Conversions

## Performance Data @ AHRI Standard Conditions – Cooling (con't.)

R801T: Achiever Plus Single-Stage X-13 80% Furnace Ratings									
Outdoor Unit	Furnace	Indoor Coil	Total Capacity BTU/H [kW]	Net Sensible BTU/H [kW]	Net Latent BTU/H [kW]	SEER	EER	Indoor CFM [L/s]	AHRI#
RA1430AJ1	R801TA075417MXA	RCF3621STAM	29200 [8.6]	22200 [6.5]	7000 [2.1]	15.10	12.50	1025 [483.7]	8052823
RA1430AJ1	R801TA075421MSA	RCF3621HTAM	30000 [8.8]	22700 [6.7]	7300 [2.1]	16.00	13.00	1050 [495.5]	8083390
RA1430AJ1	R801TA075421MSA	RCF3621HTAM	30000 [8.8]	22700 [6.7]	7300 [2.1]	16.00	13.00	1050 [495.5]	8083390
		RCF3621MTAM	30000 [8.8]	22700 [6.7]	7300 [2.1]	16.00	13.00	1025 [483.7]	8052811
RA1430AJ1	R801TA075421MSA	RCF3621MTAM	30000 [8.8]	22700 [6.7]	7300 [2.1]	16.00	13.00	1025 [483.7]	8052811
		RCF3621STAM	29200 [8.6]	22200 [6.5]	7000 [2.1]	15.10	12.50	1025 [483.7]	8052824
RA1430AJ1	R801TA075421MSA	RCF3621STAM	29200 [8.6]	22200 [6.5]	7000 [2.1]	15.10	12.50	1025 [483.7]	8052824
		RCF3624HTAM	30000 [8.8]	22700 [6.7]	7300 [2.1]	16.00	13.00	1050 [495.5]	8052835
RA1430AJ1	R801TA075421MSA	RCF3624HTAM	30000 [8.8]	22700 [6.7]	7300 [2.1]	16.00	13.00	1050 [495.5]	8052835
		RCF3624MTAM	30000 [8.8]	22700 [6.7]	7300 [2.1]	16.00	13.00	1025 [483.7]	8052846
RA1430AJ1	R801TA075421MSA	RCF3624MTAM	30000 [8.8]	22700 [6.7]	7300 [2.1]	16.00	13.00	1025 [483.7]	8052846
RA1430AJ1	R801TA075421MXA	RCF3621HTAM	30000 [8.8]	22700 [6.7]	7300 [2.1]	16.00	13.00	1050 [495.5]	8387177
RA1430AJ1	R801TA075421MXA	RCF3621HTAM	30000 [8.8]	22700 [6.7]	7300 [2.1]	16.00	13.00	1050 [495.5]	8387177
		RCF3621MTAM	30000 [8.8]	22700 [6.7]	7300 [2.1]	16.00	13.00	1025 [483.7]	8387184
RA1430AJ1	R801TA075421MXA	RCF3621MTAM	30000 [8.8]	22700 [6.7]	7300 [2.1]	16.00	13.00	1025 [483.7]	8387184
		RCF3621STAM	29200 [8.6]	22200 [6.5]	7000 [2.1]	15.10	12.50	1025 [483.7]	8387213
RA1430AJ1	R801TA075421MXA	RCF3621STAM	29200 [8.6]	22200 [6.5]	7000 [2.1]	15.10	12.50	1025 [483.7]	8387213
		RCF3624HTAM	30000 [8.8]	22700 [6.7]	7300 [2.1]	16.00	13.00	1050 [495.5]	8387240
RA1430AJ1	R801TA075421MXA	RCF3624HTAM	30000 [8.8]	22700 [6.7]	7300 [2.1]	16.00	13.00	1050 [495.5]	8387240
		RCF3624MTAM	30000 [8.8]	22700 [6.7]	7300 [2.1]	16.00	13.00	1025 [483.7]	8387265
RA1430AJ1	R801TA075421MXA	RCF3624MTAM	30000 [8.8]	22700 [6.7]	7300 [2.1]	16.00	13.00	1025 [483.7]	8387265
RA1430AJ1	R801TA075521ZSA	RCF3621MTAM	30000 [8.8]	22700 [6.7]	7300 [2.1]	16.00	13.00	1000 [471.9]	7500974
RA1430AJ1	R801TA075521ZSA	RCF3621MTAM	30000 [8.8]	22700 [6.7]	7300 [2.1]	16.00	13.00	1000 [471.9]	7500974
		RCF3621STAM	29200 [8.6]	22100 [6.5]	7100 [2.1]	15.10	12.50	975 [460.1]	7500979
RA1430AJ1	R801TA075521ZSA	RCF3621STAM	29200 [8.6]	22100 [6.5]	7100 [2.1]	15.10	12.50	975 [460.1]	7500979
		RCF3624HTAM	30000 [8.8]	22700 [6.7]	7300 [2.1]	16.00	13.00	1025 [483.7]	7500982
RA1430AJ1	R801TA075521ZSA	RCF3624HTAM	30000 [8.8]	22700 [6.7]	7300 [2.1]	16.00	13.00	1025 [483.7]	7500982
		RCF3624MTAM	30000 [8.8]	22700 [6.7]	7300 [2.1]	16.00	13.00	1000 [471.9]	7500986
RA1430AJ1	R801TA075521ZSA	RCF3624MTAM	30000 [8.8]	22700 [6.7]	7300 [2.1]	16.00	13.00	1000 [471.9]	7500986
RA1430AJ1	R801TA075521ZSB	RCF3621MTAM	30000 [8.8]	22700 [6.7]	7300 [2.1]	16.00	13.00	1000 [471.9]	8387185
RA1430AJ1	R801TA075521ZSB	RCF3621MTAM	30000 [8.8]	22700 [6.7]	7300 [2.1]	16.00	13.00	1000 [471.9]	8387185
		RCF3621STAM	29200 [8.6]	22100 [6.5]	7100 [2.1]	15.10	12.50	975 [460.1]	8387214
RA1430AJ1	R801TA075521ZSB	RCF3621STAM	29200 [8.6]	22100 [6.5]	7100 [2.1]	15.10	12.50	975 [460.1]	8387214
		RCF3624HTAM	30000 [8.8]	22700 [6.7]	7300 [2.1]	16.00	13.00	1025 [483.7]	8387241
RA1430AJ1	R801TA075521ZSB	RCF3624HTAM	30000 [8.8]	22700 [6.7]	7300 [2.1]	16.00	13.00	1025 [483.7]	8387241
		RCF3624MTAM	30000 [8.8]	22700 [6.7]	7300 [2.1]	16.00	13.00	1000 [471.9]	8387266
RA1430AJ1	R801TA075521ZSB	RCF3624MTAM	30000 [8.8]	22700 [6.7]	7300 [2.1]	16.00	13.00	1000 [471.9]	8387266
RA1430AJ1	R801TA075521ZXA	RCF3621MTAM	30000 [8.8]	22700 [6.7]	7300 [2.1]	16.00	13.00	1000 [471.9]	8052812
RA1430AJ1	R801TA075521ZXA	RCF3621MTAM	30000 [8.8]	22700 [6.7]	7300 [2.1]	16.00	13.00	1000 [471.9]	8052812
		RCF3621STAM	29200 [8.6]	22100 [6.5]	7100 [2.1]	15.10	12.50	975 [460.1]	8052825
RA1430AJ1	R801TA075521ZXA	RCF3621STAM	29200 [8.6]	22100 [6.5]	7100 [2.1]	15.10	12.50	975 [460.1]	8052825
		RCF3624HTAM	30000 [8.8]	22700 [6.7]	7300 [2.1]	16.00	13.00	1025 [483.7]	8052836
RA1430AJ1	R801TA075521ZXA	RCF3624HTAM	30000 [8.8]	22700 [6.7]	7300 [2.1]	16.00	13.00	1025 [483.7]	8052836
		RCF3624MTAM	30000 [8.8]	22700 [6.7]	7300 [2.1]	16.00	13.00	1000 [471.9]	8052847
RA1430AJ1	R801TA075521ZXA	RCF3624MTAM	30000 [8.8]	22700 [6.7]	7300 [2.1]	16.00	13.00	1000 [471.9]	8052847
RA1430AJ1	R801TA075521ZXB	RCF3621MTAM	30000 [8.8]	22700 [6.7]	7300 [2.1]	16.00	13.00	1000 [471.9]	8387186
RA1430AJ1	R801TA075521ZXB	RCF3621MTAM	30000 [8.8]	22700 [6.7]	7300 [2.1]	16.00	13.00	1000 [471.9]	8387186
		RCF3621STAM	29200 [8.6]	22100 [6.5]	7100 [2.1]	15.10	12.50	975 [460.1]	8387215

[ ] Designates Metric Conversions

## Performance Data @ AHRI Standard Conditions – Cooling (con't.)

R801T: Achiever Plus Single-Stage X-13 80% Furnace Ratings									
Outdoor Unit	Furnace	Indoor Coil	Total Capacity BTU/H [kW]	Net Sensible BTU/H [kW]	Net Latent BTU/H [kW]	SEER	EER	Indoor CFM [L/s]	AHRI#
RA1430AJ1	R801TA075521ZXB	RCF3621STAM	29200 [8.6]	22100 [6.5]	7100 [2.1]	15.10	12.50	975 [460.1]	8387215
		RCF3624HTAM	30000 [8.8]	22700 [6.7]	7300 [2.1]	16.00	13.00	1025 [483.7]	8387242
RA1430AJ1	R801TA075521ZXB	RCF3624HTAM	30000 [8.8]	22700 [6.7]	7300 [2.1]	16.00	13.00	1025 [483.7]	8387242
		RCF3624MTAM	30000 [8.8]	22700 [6.7]	7300 [2.1]	16.00	13.00	1000 [471.9]	8387267
RA1430AJ1	R801TA075521ZXB	RCF3624MTAM	30000 [8.8]	22700 [6.7]	7300 [2.1]	16.00	13.00	1000 [471.9]	8387267
RA1430AJ1	R801TA100521MSA	RCF3621HTAM	30000 [8.8]	22700 [6.7]	7300 [2.1]	16.00	13.00	1075 [507.3]	8083391
RA1430AJ1	R801TA100521MSA	RCF3621HTAM	30000 [8.8]	22700 [6.7]	7300 [2.1]	16.00	13.00	1075 [507.3]	8083391
		RCF3621MTAM	30000 [8.8]	22700 [6.7]	7300 [2.1]	16.00	13.00	1050 [495.5]	7500975
RA1430AJ1	R801TA100521MSA	RCF3621MTAM	30000 [8.8]	22700 [6.7]	7300 [2.1]	16.00	13.00	1050 [495.5]	7500975
		RCF3621STAM	29200 [8.6]	22200 [6.5]	7000 [2.1]	15.50	13.00	1000 [471.9]	7500980
RA1430AJ1	R801TA100521MSA	RCF3621STAM	29200 [8.6]	22200 [6.5]	7000 [2.1]	15.50	13.00	1000 [471.9]	7500980
		RCF3624HTAM	30000 [8.8]	21800 [6.4]	8200 [2.4]	16.00	13.00	1100 [519.1]	7500983
RA1430AJ1	R801TA100521MSA	RCF3624HTAM	30000 [8.8]	21800 [6.4]	8200 [2.4]	16.00	13.00	1100 [519.1]	7500983
		RCF3624MTAM	30000 [8.8]	22700 [6.7]	7300 [2.1]	16.00	13.00	1050 [495.5]	7500987
RA1430AJ1	R801TA100521MSA	RCF3624MTAM	30000 [8.8]	22700 [6.7]	7300 [2.1]	16.00	13.00	1050 [495.5]	7500987
RA1430AJ1	R801TA100521MXA	RCF3621HTAM	30000 [8.8]	22700 [6.7]	7300 [2.1]	16.00	13.00	1075 [507.3]	8387178
RA1430AJ1	R801TA100521MXA	RCF3621HTAM	30000 [8.8]	22700 [6.7]	7300 [2.1]	16.00	13.00	1075 [507.3]	8387178
		RCF3621MTAM	30000 [8.8]	22700 [6.7]	7300 [2.1]	16.00	13.00	1050 [495.5]	8052813
RA1430AJ1	R801TA100521MXA	RCF3621MTAM	30000 [8.8]	22700 [6.7]	7300 [2.1]	16.00	13.00	1050 [495.5]	8052813
		RCF3621STAM	29200 [8.6]	22200 [6.5]	7000 [2.1]	15.50	13.00	1000 [471.9]	8052826
RA1430AJ1	R801TA100521MXA	RCF3621STAM	29200 [8.6]	22200 [6.5]	7000 [2.1]	15.50	13.00	1000 [471.9]	8052826
		RCF3624HTAM	30000 [8.8]	21800 [6.4]	8200 [2.4]	16.00	13.00	1100 [519.1]	8052837
RA1430AJ1	R801TA100521MXA	RCF3624HTAM	30000 [8.8]	21800 [6.4]	8200 [2.4]	16.00	13.00	1100 [519.1]	8052837
		RCF3624MTAM	30000 [8.8]	22700 [6.7]	7300 [2.1]	16.00	13.00	1050 [495.5]	8052848
RA1430AJ1	R801TA100521MXA	RCF3624MTAM	30000 [8.8]	22700 [6.7]	7300 [2.1]	16.00	13.00	1050 [495.5]	8052848
RA1430AJ1	R801TA100521ZSA	RCF3621MTAM	30000 [8.8]	22700 [6.7]	7300 [2.1]	16.00	13.00	975 [460.1]	7500976
RA1430AJ1	R801TA100521ZSA	RCF3621MTAM	30000 [8.8]	22700 [6.7]	7300 [2.1]	16.00	13.00	975 [460.1]	7500976
		RCF3621STAM	29400 [8.6]	22300 [6.5]	7100 [2.1]	15.50	13.00	975 [460.1]	7500981
RA1430AJ1	R801TA100521ZSA	RCF3621STAM	29400 [8.6]	22300 [6.5]	7100 [2.1]	15.50	13.00	975 [460.1]	7500981
		RCF3624HTAM	30000 [8.8]	22700 [6.7]	7300 [2.1]	16.00	13.00	1025 [483.7]	7500984
RA1430AJ1	R801TA100521ZSA	RCF3624HTAM	30000 [8.8]	22700 [6.7]	7300 [2.1]	16.00	13.00	1025 [483.7]	7500984
		RCF3624MTAM	30000 [8.8]	22700 [6.7]	7300 [2.1]	16.00	13.00	975 [460.1]	7500988
RA1430AJ1	R801TA100521ZSA	RCF3624MTAM	30000 [8.8]	22700 [6.7]	7300 [2.1]	16.00	13.00	975 [460.1]	7500988
RA1430AJ1	R801TA100521ZSB	RCF3621MTAM	30000 [8.8]	22700 [6.7]	7300 [2.1]	16.00	13.00	975 [460.1]	8387187
RA1430AJ1	R801TA100521ZSB	RCF3621MTAM	30000 [8.8]	22700 [6.7]	7300 [2.1]	16.00	13.00	975 [460.1]	8387187
		RCF3621STAM	29400 [8.6]	22300 [6.5]	7100 [2.1]	15.10	12.50	975 [460.1]	8387216
RA1430AJ1	R801TA100521ZSB	RCF3621STAM	29400 [8.6]	22300 [6.5]	7100 [2.1]	15.10	12.50	975 [460.1]	8387216
		RCF3624HTAM	30000 [8.8]	22700 [6.7]	7300 [2.1]	16.00	13.00	1025 [483.7]	8387243
RA1430AJ1	R801TA100521ZSB	RCF3624HTAM	30000 [8.8]	22700 [6.7]	7300 [2.1]	16.00	13.00	1025 [483.7]	8387243
		RCF3624MTAM	30000 [8.8]	22700 [6.7]	7300 [2.1]	16.00	13.00	975 [460.1]	8387268
RA1430AJ1	R801TA100521ZSB	RCF3624MTAM	30000 [8.8]	22700 [6.7]	7300 [2.1]	16.00	13.00	975 [460.1]	8387268
RA1430AJ1	R801TA100521ZXA	RCF3621MTAM	30000 [8.8]	22700 [6.7]	7300 [2.1]	16.00	13.00	975 [460.1]	8052814
RA1430AJ1	R801TA100521ZXA	RCF3621MTAM	30000 [8.8]	22700 [6.7]	7300 [2.1]	16.00	13.00	975 [460.1]	8052814
		RCF3621STAM	29400 [8.6]	22300 [6.5]	7100 [2.1]	15.50	13.00	975 [460.1]	8052827
RA1430AJ1	R801TA100521ZXA	RCF3621STAM	29400 [8.6]	22300 [6.5]	7100 [2.1]	15.50	13.00	975 [460.1]	8052827
		RCF3624HTAM	30000 [8.8]	22700 [6.7]	7300 [2.1]	16.00	13.00	1025 [483.7]	8052838
RA1430AJ1	R801TA100521ZXA	RCF3624HTAM	30000 [8.8]	22700 [6.7]	7300 [2.1]	16.00	13.00	1025 [483.7]	8052838
		RCF3624MTAM	30000 [8.8]	22700 [6.7]	7300 [2.1]	16.00	13.00	975 [460.1]	8052849
RA1430AJ1	R801TA100521ZXA	RCF3624MTAM	30000 [8.8]	22700 [6.7]	7300 [2.1]	16.00	13.00	975 [460.1]	8052849

[ ] Designates Metric Conversions

## Performance Data @ AHRI Standard Conditions – Cooling (con't.)

R801T: Achiever Plus Single-Stage X-13 80% Furnace Ratings									
Outdoor Unit	Furnace	Indoor Coil	Total Capacity BTU/H [kW]	Net Sensible BTU/H [kW]	Net Latent BTU/H [kW]	SEER	EER	Indoor CFM [L/s]	AHRI#
RA1430AJ1	R801TA100521ZXB	RCF3621MTAM	30000 [8.8]	22700 [6.7]	7300 [2.1]	16.00	13.00	975 [460.1]	8387188
RA1430AJ1	R801TA100521ZXB	RCF3621MTAM	30000 [8.8]	22700 [6.7]	7300 [2.1]	16.00	13.00	975 [460.1]	8387188
		RCF3621STAM	29400 [8.6]	22300 [6.5]	7100 [2.1]	15.10	12.50	975 [460.1]	8387217
RA1430AJ1	R801TA100521ZXB	RCF3621STAM	29400 [8.6]	22300 [6.5]	7100 [2.1]	15.10	12.50	975 [460.1]	8387217
		RCF3624HTAM	30000 [8.8]	22700 [6.7]	7300 [2.1]	16.00	13.00	1025 [483.7]	8387244
RA1430AJ1	R801TA100521ZXB	RCF3624HTAM	30000 [8.8]	22700 [6.7]	7300 [2.1]	16.00	13.00	1025 [483.7]	8387244
		RCF3624MTAM	30000 [8.8]	22700 [6.7]	7300 [2.1]	16.00	13.00	975 [460.1]	8387269
RA1430AJ1	R801TA100521ZXB	RCF3624MTAM	30000 [8.8]	22700 [6.7]	7300 [2.1]	16.00	13.00	975 [460.1]	8387269
RA1430AJ1	R801TA125524ZSA	RCF3624HTAM	30000 [8.8]	22700 [6.7]	7300 [2.1]	16.00	13.00	975 [460.1]	7500985
RA1430AJ1	R801TA125524ZSA	RCF3624HTAM	30000 [8.8]	22700 [6.7]	7300 [2.1]	16.00	13.00	975 [460.1]	7500985
		RCF3624MTAM	30000 [8.8]	22700 [6.7]	7300 [2.1]	16.00	13.00	925 [436.6]	7500989
RA1430AJ1	R801TA125524ZSA	RCF3624MTAM	30000 [8.8]	22700 [6.7]	7300 [2.1]	16.00	13.00	925 [436.6]	7500989
RA1430AJ1	R801TA125524ZSB	RCF3624HTAM	30000 [8.8]	22700 [6.7]	7300 [2.1]	16.00	13.00	975 [460.1]	8387245
RA1430AJ1	R801TA125524ZSB	RCF3624HTAM	30000 [8.8]	22700 [6.7]	7300 [2.1]	16.00	13.00	975 [460.1]	8387245
		RCF3624MTAM	30000 [8.8]	22700 [6.7]	7300 [2.1]	16.00	13.00	925 [436.6]	8387270
RA1430AJ1	R801TA125524ZSB	RCF3624MTAM	30000 [8.8]	22700 [6.7]	7300 [2.1]	16.00	13.00	925 [436.6]	8387270
RA1430AJ1	R801TA125524ZXA	RCF3624HTAM	30000 [8.8]	22700 [6.7]	7300 [2.1]	16.00	13.00	975 [460.1]	8052839
RA1430AJ1	R801TA125524ZXA	RCF3624HTAM	30000 [8.8]	22700 [6.7]	7300 [2.1]	16.00	13.00	975 [460.1]	8052839
		RCF3624MTAM	30000 [8.8]	22700 [6.7]	7300 [2.1]	16.00	13.00	925 [436.6]	8052850
RA1430AJ1	R801TA125524ZXA	RCF3624MTAM	30000 [8.8]	22700 [6.7]	7300 [2.1]	16.00	13.00	925 [436.6]	8052850
RA1430AJ1	R801TA125524ZXB	RCF3624HTAM	30000 [8.8]	22700 [6.7]	7300 [2.1]	16.00	13.00	975 [460.1]	8387246
RA1430AJ1	R801TA125524ZXB	RCF3624HTAM	30000 [8.8]	22700 [6.7]	7300 [2.1]	16.00	13.00	975 [460.1]	8387246
		RCF3624MTAM	30000 [8.8]	22700 [6.7]	7300 [2.1]	16.00	13.00	925 [436.6]	8387271
RA1430AJ1	R801TA125524ZXB	RCF3624MTAM	30000 [8.8]	22700 [6.7]	7300 [2.1]	16.00	13.00	925 [436.6]	8387271
RA1430AJ1	R801TB075317ZSB	RCF3617STAM	28600 [8.4]	21200 [6.2]	7400 [2.2]	15.10	12.50	875 [413.0]	8387167
RA1430AJ1	R801TB075317ZSB	RCF3617STAM	28600 [8.4]	21200 [6.2]	7400 [2.2]	15.10	12.50	875 [413.0]	8387167
		RCF3621MTAM	30000 [8.8]	22700 [6.7]	7300 [2.1]	16.00	13.00	875 [413.0]	8387189
RA1430AJ1	R801TB075317ZSB	RCF3621MTAM	30000 [8.8]	22700 [6.7]	7300 [2.1]	16.00	13.00	875 [413.0]	8387189
		RCF3621STAM	28600 [8.4]	21200 [6.2]	7400 [2.2]	15.10	12.50	875 [413.0]	8387218
RA1430AJ1	R801TB075317ZSB	RCF3621STAM	28600 [8.4]	21200 [6.2]	7400 [2.2]	15.10	12.50	875 [413.0]	8387218
RA1430AJ1	R801TB075317ZXB	RCF3617STAM	28600 [8.4]	21200 [6.2]	7400 [2.2]	15.10	12.50	875 [413.0]	8387168
RA1430AJ1	R801TB075317ZXB	RCF3617STAM	28600 [8.4]	21200 [6.2]	7400 [2.2]	15.10	12.50	875 [413.0]	8387168
		RCF3621MTAM	30000 [8.8]	22700 [6.7]	7300 [2.1]	16.00	13.00	875 [413.0]	8387190
RA1430AJ1	R801TB075317ZXB	RCF3621MTAM	30000 [8.8]	22700 [6.7]	7300 [2.1]	16.00	13.00	875 [413.0]	8387190
		RCF3621STAM	28600 [8.4]	21200 [6.2]	7400 [2.2]	15.10	12.50	875 [413.0]	8387219
RA1430AJ1	R801TB075317ZXB	RCF3621STAM	28600 [8.4]	21200 [6.2]	7400 [2.2]	15.10	12.50	875 [413.0]	8387219
RA1430AJ1	R801TB075521ZSB	RCF3621MTAM	30000 [8.8]	22700 [6.7]	7300 [2.1]	16.00	13.00	1000 [471.9]	8387191
RA1430AJ1	R801TB075521ZSB	RCF3621MTAM	30000 [8.8]	22700 [6.7]	7300 [2.1]	16.00	13.00	1000 [471.9]	8387191
		RCF3621STAM	29200 [8.6]	22100 [6.5]	7100 [2.1]	15.10	12.50	975 [460.1]	8387220
RA1430AJ1	R801TB075521ZSB	RCF3621STAM	29200 [8.6]	22100 [6.5]	7100 [2.1]	15.10	12.50	975 [460.1]	8387220
		RCF3624HTAM	30000 [8.8]	22700 [6.7]	7300 [2.1]	16.00	13.00	1025 [483.7]	8387247
RA1430AJ1	R801TB075521ZSB	RCF3624HTAM	30000 [8.8]	22700 [6.7]	7300 [2.1]	16.00	13.00	1025 [483.7]	8387247
		RCF3624MTAM	30000 [8.8]	22700 [6.7]	7300 [2.1]	16.00	13.00	1000 [471.9]	8387272
RA1430AJ1	R801TB075521ZSB	RCF3624MTAM	30000 [8.8]	22700 [6.7]	7300 [2.1]	16.00	13.00	1000 [471.9]	8387272
RA1430AJ1	R801TB075521ZXB	RCF3621MTAM	30000 [8.8]	22700 [6.7]	7300 [2.1]	16.00	13.00	1000 [471.9]	8387192
RA1430AJ1	R801TB075521ZXB	RCF3621MTAM	30000 [8.8]	22700 [6.7]	7300 [2.1]	16.00	13.00	1000 [471.9]	8387192
		RCF3621STAM	29200 [8.6]	22100 [6.5]	7100 [2.1]	15.10	12.50	975 [460.1]	8387221
RA1430AJ1	R801TB075521ZXB	RCF3621STAM	29200 [8.6]	22100 [6.5]	7100 [2.1]	15.10	12.50	975 [460.1]	8387221
		RCF3624HTAM	30000 [8.8]	22700 [6.7]	7300 [2.1]	16.00	13.00	1025 [483.7]	8387248

[ ] Designates Metric Conversions

## Performance Data @ AHRI Standard Conditions – Cooling (con't.)

R801T: Achiever Plus Single-Stage X-13 80% Furnace Ratings									
Outdoor Unit	Furnace	Indoor Coil	Total Capacity BTU/H [kW]	Net Sensible BTU/H [kW]	Net Latent BTU/H [kW]	SEER	EER	Indoor CFM [L/s]	AHRI#
RA1430AJ1	R801TB075521ZXB	RCF3624HTAM	30000 [8.8]	22700 [6.7]	7300 [2.1]	16.00	13.00	1025 [483.7]	8387248
		RCF3624MTAM	30000 [8.8]	22700 [6.7]	7300 [2.1]	16.00	13.00	1000 [471.9]	8387273
RA1430AJ1	R801TB075521ZXB	RCF3624MTAM	30000 [8.8]	22700 [6.7]	7300 [2.1]	16.00	13.00	1000 [471.9]	8387273
RA1430AJ1	R801TB100521ZSB	RCF3621MTAM	30000 [8.8]	22700 [6.7]	7300 [2.1]	16.00	13.00	975 [460.1]	8387193
RA1430AJ1	R801TB100521ZSB	RCF3621MTAM	30000 [8.8]	22700 [6.7]	7300 [2.1]	16.00	13.00	975 [460.1]	8387193
		RCF3621STAM	29400 [8.6]	22300 [6.5]	7100 [2.1]	15.10	12.50	975 [460.1]	8387222
RA1430AJ1	R801TB100521ZSB	RCF3621STAM	29400 [8.6]	22300 [6.5]	7100 [2.1]	15.10	12.50	975 [460.1]	8387222
		RCF3624HTAM	30000 [8.8]	22700 [6.7]	7300 [2.1]	16.00	13.00	1025 [483.7]	8387249
RA1430AJ1	R801TB100521ZSB	RCF3624HTAM	30000 [8.8]	22700 [6.7]	7300 [2.1]	16.00	13.00	1025 [483.7]	8387249
		RCF3624MTAM	30000 [8.8]	22700 [6.7]	7300 [2.1]	16.00	13.00	975 [460.1]	8387274
RA1430AJ1	R801TB100521ZSB	RCF3624MTAM	30000 [8.8]	22700 [6.7]	7300 [2.1]	16.00	13.00	975 [460.1]	8387274
RA1430AJ1	R801TB100521ZXB	RCF3621MTAM	30000 [8.8]	22700 [6.7]	7300 [2.1]	16.00	13.00	975 [460.1]	8387194
RA1430AJ1	R801TB100521ZXB	RCF3621MTAM	30000 [8.8]	22700 [6.7]	7300 [2.1]	16.00	13.00	975 [460.1]	8387194
		RCF3621STAM	29400 [8.6]	22300 [6.5]	7100 [2.1]	15.10	12.50	975 [460.1]	8387223
RA1430AJ1	R801TB100521ZXB	RCF3621STAM	29400 [8.6]	22300 [6.5]	7100 [2.1]	15.10	12.50	975 [460.1]	8387223
		RCF3624HTAM	30000 [8.8]	22700 [6.7]	7300 [2.1]	16.00	13.00	1025 [483.7]	8387250
RA1430AJ1	R801TB100521ZXB	RCF3624HTAM	30000 [8.8]	22700 [6.7]	7300 [2.1]	16.00	13.00	1025 [483.7]	8387250
		RCF3624MTAM	30000 [8.8]	22700 [6.7]	7300 [2.1]	16.00	13.00	975 [460.1]	8387275
RA1430AJ1	R801TB100521ZXB	RCF3624MTAM	30000 [8.8]	22700 [6.7]	7300 [2.1]	16.00	13.00	975 [460.1]	8387275
RA1430AJ1	R801TB125524ZSB	RCF3624HTAM	30000 [8.8]	22700 [6.7]	7300 [2.1]	16.00	13.00	975 [460.1]	8387251
RA1430AJ1	R801TB125524ZSB	RCF3624HTAM	30000 [8.8]	22700 [6.7]	7300 [2.1]	16.00	13.00	975 [460.1]	8387251
		RCF3624MTAM	30000 [8.8]	22700 [6.7]	7300 [2.1]	16.00	13.00	925 [436.6]	8387276
RA1430AJ1	R801TB125524ZSB	RCF3624MTAM	30000 [8.8]	22700 [6.7]	7300 [2.1]	16.00	13.00	925 [436.6]	8387276
RA1430AJ1	R801TB125524ZXB	RCF3624HTAM	30000 [8.8]	22700 [6.7]	7300 [2.1]	16.00	13.00	975 [460.1]	8387252
RA1430AJ1	R801TB125524ZXB	RCF3624HTAM	30000 [8.8]	22700 [6.7]	7300 [2.1]	16.00	13.00	975 [460.1]	8387252
		RCF3624MTAM	30000 [8.8]	22700 [6.7]	7300 [2.1]	16.00	13.00	925 [436.6]	8387277
RA1430AJ1	R801TB125524ZXB	RCF3624MTAM	30000 [8.8]	22700 [6.7]	7300 [2.1]	16.00	13.00	925 [436.6]	8387277
RA1436AJ1	R801TA050314MSA	RCF3617STAM	32400 [9.5]	24600 [7.2]	9800 [2.9]	14.00	11.50	1000 [471.9]	7501056
RA1436AJ1	R801TA050314MSA	RCF3617STAM	32400 [9.5]	24600 [7.2]	9800 [2.9]	14.00	11.50	1000 [471.9]	7501056
RA1436AJ1	R801TA050314MXA	RCF3617STAM	32400 [9.5]	24600 [7.2]	9800 [2.9]	14.00	11.50	1000 [471.9]	8053137
RA1436AJ1	R801TA050314MXA	RCF3617STAM	32400 [9.5]	24600 [7.2]	9800 [2.9]	14.00	11.50	1000 [471.9]	8053137
RA1436AJ1	R801TA075317ZSA	RCF3617STAM	31800 [9.3]	25000 [7.3]	9600 [2.8]	14.00	11.50	850 [401.2]	7501057
RA1436AJ1	R801TA075317ZSA	RCF3617STAM	31800 [9.3]	25000 [7.3]	9600 [2.8]	14.00	11.50	850 [401.2]	7501057
		RCF3621MTAM	36000 [10.6]	25900 [7.6]	10100 [3.0]	15.50	13.00	1075 [507.3]	7501059
RA1436AJ1	R801TA075317ZSA	RCF3621MTAM	36000 [10.6]	25900 [7.6]	10100 [3.0]	15.50	13.00	1075 [507.3]	7501059
		RCF3621STAM	31800 [9.3]	25000 [7.3]	9600 [2.8]	14.00	11.50	850 [401.2]	7501064
RA1436AJ1	R801TA075317ZSA	RCF3621STAM	31800 [9.3]	25000 [7.3]	9600 [2.8]	14.00	11.50	850 [401.2]	7501064
RA1436AJ1	R801TA075317ZSB	RCF3617STAM	34600 [10.1]	25000 [7.3]	9600 [2.8]	14.50	12.00	1050 [495.5]	8387859
RA1436AJ1	R801TA075317ZSB	RCF3617STAM	34600 [10.1]	25000 [7.3]	9600 [2.8]	14.50	12.00	1050 [495.5]	8387859
		RCF3621MTAM	36000 [10.6]	25900 [7.6]	10100 [3.0]	15.50	13.00	1075 [507.3]	8387876
RA1436AJ1	R801TA075317ZSB	RCF3621MTAM	36000 [10.6]	25900 [7.6]	10100 [3.0]	15.50	13.00	1075 [507.3]	8387876
		RCF3621STAM	34600 [10.1]	25000 [7.3]	9600 [2.8]	14.50	12.00	1050 [495.5]	8387905
RA1436AJ1	R801TA075317ZSB	RCF3621STAM	34600 [10.1]	25000 [7.3]	9600 [2.8]	14.50	12.00	1050 [495.5]	8387905
RA1436AJ1	R801TA075317ZXA	RCF3617STAM	31800 [9.3]	25000 [7.3]	9600 [2.8]	14.00	11.50	850 [401.2]	8053138
RA1436AJ1	R801TA075317ZXA	RCF3617STAM	31800 [9.3]	25000 [7.3]	9600 [2.8]	14.00	11.50	850 [401.2]	8053138
		RCF3621MTAM	36000 [10.6]	25900 [7.6]	10100 [3.0]	15.50	13.00	1075 [507.3]	8053143
RA1436AJ1	R801TA075317ZXA	RCF3621MTAM	36000 [10.6]	25900 [7.6]	10100 [3.0]	15.50	13.00	1075 [507.3]	8053143
		RCF3621STAM	31800 [9.3]	25000 [7.3]	9600 [2.8]	14.00	11.50	850 [401.2]	8053156
RA1436AJ1	R801TA075317ZXA	RCF3621STAM	31800 [9.3]	25000 [7.3]	9600 [2.8]	14.00	11.50	850 [401.2]	8053156

[ ] Designates Metric Conversions

## Performance Data @ AHRI Standard Conditions – Cooling (con't.)

R801T: Achiever Plus Single-Stage X-13 80% Furnace Ratings									
Outdoor Unit	Furnace	Indoor Coil	Total Capacity BTU/H [kW]	Net Sensible BTU/H [kW]	Net Latent BTU/H [kW]	SEER	EER	Indoor CFM [L/s]	AHRI#
RA1436AJ1	R801TA075317ZXB	RCF3617STAM	34600 [10.1]	25000 [7.3]	9600 [2.8]	14.50	12.00	1050 [495.5]	8387860
RA1436AJ1	R801TA075317ZXB	RCF3617STAM	34600 [10.1]	25000 [7.3]	9600 [2.8]	14.50	12.00	1050 [495.5]	8387860
		RCF3621MTAM	36000 [10.6]	25900 [7.6]	10100 [3.0]	15.50	13.00	1075 [507.3]	8387877
RA1436AJ1	R801TA075317ZXB	RCF3621MTAM	36000 [10.6]	25900 [7.6]	10100 [3.0]	15.50	13.00	1075 [507.3]	8387877
		RCF3621STAM	34600 [10.1]	25000 [7.3]	9600 [2.8]	14.50	12.00	1050 [495.5]	8387906
RA1436AJ1	R801TA075317ZXB	RCF3621STAM	34600 [10.1]	25000 [7.3]	9600 [2.8]	14.50	12.00	1050 [495.5]	8387906
RA1436AJ1	R801TA075417MSA	RCF3617STAM	32800 [9.6]	24500 [7.2]	9900 [2.9]	14.00	11.50	1125 [530.9]	7501058
RA1436AJ1	R801TA075417MSA	RCF3617STAM	32800 [9.6]	24500 [7.2]	9900 [2.9]	14.00	11.50	1125 [530.9]	7501058
		RCF3621HTAM	36000 [10.6]	25900 [7.6]	10100 [3.0]	16.00	13.00	1200 [566.3]	8083467
RA1436AJ1	R801TA075417MSA	RCF3621HTAM	36000 [10.6]	25900 [7.6]	10100 [3.0]	16.00	13.00	1200 [566.3]	8083467
		RCF3621MTAM	36000 [10.6]	25900 [7.6]	10100 [3.0]	16.00	13.00	1050 [495.5]	7501060
RA1436AJ1	R801TA075417MSA	RCF3621MTAM	36000 [10.6]	25900 [7.6]	10100 [3.0]	16.00	13.00	1050 [495.5]	7501060
		RCF3621STAM	33000 [9.7]	24800 [7.3]	9800 [2.9]	14.00	11.50	1150 [542.7]	7501065
RA1436AJ1	R801TA075417MSA	RCF3621STAM	33000 [9.7]	24800 [7.3]	9800 [2.9]	14.00	11.50	1150 [542.7]	7501065
RA1436AJ1	R801TA075417MXA	RCF3617STAM	32800 [9.6]	24500 [7.2]	9900 [2.9]	14.00	11.50	1125 [530.9]	8053139
RA1436AJ1	R801TA075417MXA	RCF3617STAM	32800 [9.6]	24500 [7.2]	9900 [2.9]	14.00	11.50	1125 [530.9]	8053139
		RCF3621HTAM	36000 [10.6]	25900 [7.6]	10100 [3.0]	16.00	13.00	1200 [566.3]	8387870
RA1436AJ1	R801TA075417MXA	RCF3621HTAM	36000 [10.6]	25900 [7.6]	10100 [3.0]	16.00	13.00	1200 [566.3]	8387870
		RCF3621MTAM	36000 [10.6]	25900 [7.6]	10100 [3.0]	16.00	13.00	1050 [495.5]	8053144
RA1436AJ1	R801TA075417MXA	RCF3621MTAM	36000 [10.6]	25900 [7.6]	10100 [3.0]	16.00	13.00	1050 [495.5]	8053144
		RCF3621STAM	33000 [9.7]	24800 [7.3]	9800 [2.9]	14.00	11.50	1150 [542.7]	8053157
RA1436AJ1	R801TA075417MXA	RCF3621STAM	33000 [9.7]	24800 [7.3]	9800 [2.9]	14.00	11.50	1150 [542.7]	8053157
RA1436AJ1	R801TA075421MSA	RCF3621HTAM	36000 [10.6]	25900 [7.6]	10100 [3.0]	16.00	13.00	1250 [589.9]	8083468
RA1436AJ1	R801TA075421MSA	RCF3621HTAM	36000 [10.6]	25900 [7.6]	10100 [3.0]	16.00	13.00	1250 [589.9]	8083468
		RCF3621MTAM	36000 [10.6]	25900 [7.6]	10100 [3.0]	16.00	13.00	1025 [483.7]	8053145
RA1436AJ1	R801TA075421MSA	RCF3621MTAM	36000 [10.6]	25900 [7.6]	10100 [3.0]	16.00	13.00	1025 [483.7]	8053145
		RCF3621STAM	34600 [10.1]	24800 [7.3]	9800 [2.9]	15.10	12.50	1000 [471.9]	8053158
RA1436AJ1	R801TA075421MSA	RCF3621STAM	34600 [10.1]	24800 [7.3]	9800 [2.9]	15.10	12.50	1000 [471.9]	8053158
		RCF3624HTAM	36000 [10.6]	25900 [7.6]	10100 [3.0]	16.00	13.00	1250 [589.9]	8053169
RA1436AJ1	R801TA075421MSA	RCF3624HTAM	36000 [10.6]	25900 [7.6]	10100 [3.0]	16.00	13.00	1250 [589.9]	8053169
		RCF3624MTAM	36000 [10.6]	25900 [7.6]	10100 [3.0]	16.00	13.00	1025 [483.7]	8053181
RA1436AJ1	R801TA075421MSA	RCF3624MTAM	36000 [10.6]	25900 [7.6]	10100 [3.0]	16.00	13.00	1025 [483.7]	8053181
RA1436AJ1	R801TA075421MXA	RCF3621HTAM	36000 [10.6]	25900 [7.6]	10100 [3.0]	16.00	13.00	1250 [589.9]	8387871
RA1436AJ1	R801TA075421MXA	RCF3621HTAM	36000 [10.6]	25900 [7.6]	10100 [3.0]	16.00	13.00	1250 [589.9]	8387871
		RCF3621MTAM	36000 [10.6]	25900 [7.6]	10100 [3.0]	16.00	13.00	1025 [483.7]	8387878
RA1436AJ1	R801TA075421MXA	RCF3621MTAM	36000 [10.6]	25900 [7.6]	10100 [3.0]	16.00	13.00	1025 [483.7]	8387878
		RCF3621STAM	34600 [10.1]	24800 [7.3]	9800 [2.9]	15.10	12.50	1000 [471.9]	8387907
RA1436AJ1	R801TA075421MXA	RCF3621STAM	34600 [10.1]	24800 [7.3]	9800 [2.9]	15.10	12.50	1000 [471.9]	8387907
		RCF3624HTAM	36000 [10.6]	25900 [7.6]	10100 [3.0]	16.00	13.00	1250 [589.9]	8387934
RA1436AJ1	R801TA075421MXA	RCF3624HTAM	36000 [10.6]	25900 [7.6]	10100 [3.0]	16.00	13.00	1250 [589.9]	8387934
		RCF3624MTAM	36000 [10.6]	25900 [7.6]	10100 [3.0]	16.00	13.00	1025 [483.7]	8387959
RA1436AJ1	R801TA075421MXA	RCF3624MTAM	36000 [10.6]	25900 [7.6]	10100 [3.0]	16.00	13.00	1025 [483.7]	8387959
RA1436AJ1	R801TA075521ZSA	RCF3621MTAM	36000 [10.6]	25900 [7.6]	10100 [3.0]	16.00	13.00	1000 [471.9]	7501061
RA1436AJ1	R801TA075521ZSA	RCF3621MTAM	36000 [10.6]	25900 [7.6]	10100 [3.0]	16.00	13.00	1000 [471.9]	7501061
		RCF3621STAM	32200 [9.4]	24200 [7.1]	10000 [2.9]	14.00	11.50	950 [448.4]	7501066
RA1436AJ1	R801TA075521ZSA	RCF3621STAM	32200 [9.4]	24200 [7.1]	10000 [2.9]	14.00	11.50	950 [448.4]	7501066
		RCF3624HTAM	36000 [10.6]	25900 [7.6]	10100 [3.0]	16.00	13.00	1250 [589.9]	7501069
RA1436AJ1	R801TA075521ZSA	RCF3624HTAM	36000 [10.6]	25900 [7.6]	10100 [3.0]	16.00	13.00	1250 [589.9]	7501069
		RCF3624MTAM	36000 [10.6]	25900 [7.6]	10100 [3.0]	16.00	13.00	1000 [471.9]	7501074

[ ] Designates Metric Conversions



## Performance Data @ AHRI Standard Conditions – Cooling (con't.)

R801T: Achiever Plus Single-Stage X-13 80% Furnace Ratings									
Outdoor Unit	Furnace	Indoor Coil	Total Capacity BTU/H [kW]	Net Sensible BTU/H [kW]	Net Latent BTU/H [kW]	SEER	EER	Indoor CFM [L/s]	AHRI#
RA1436AJ1	R801TA075521ZSA	RCF3624MTAM	36000 [10.6]	25900 [7.6]	10100 [3.0]	16.00	13.00	1000 [471.9]	7501074
RA1436AJ1	R801TA075521ZSB	RCF3621MTAM	36000 [10.6]	25900 [7.6]	10100 [3.0]	16.00	13.00	1000 [471.9]	8387879
RA1436AJ1	R801TA075521ZSB	RCF3621MTAM	36000 [10.6]	25900 [7.6]	10100 [3.0]	16.00	13.00	1000 [471.9]	8387879
		RCF3621STAM	34200 [10.0]	24200 [7.1]	10000 [2.9]	15.10	12.50	950 [448.4]	8387908
RA1436AJ1	R801TA075521ZSB	RCF3621STAM	34200 [10.0]	24200 [7.1]	10000 [2.9]	15.10	12.50	950 [448.4]	8387908
		RCF3624HTAM	36000 [10.6]	25900 [7.6]	10100 [3.0]	16.00	13.00	1250 [589.9]	8387935
RA1436AJ1	R801TA075521ZSB	RCF3624HTAM	36000 [10.6]	25900 [7.6]	10100 [3.0]	16.00	13.00	1250 [589.9]	8387935
		RCF3624MTAM	36000 [10.6]	25900 [7.6]	10100 [3.0]	16.00	13.00	1000 [471.9]	8387960
RA1436AJ1	R801TA075521ZSB	RCF3624MTAM	36000 [10.6]	25900 [7.6]	10100 [3.0]	16.00	13.00	1000 [471.9]	8387960
RA1436AJ1	R801TA075521ZXA	RCF3621MTAM	36000 [10.6]	25900 [7.6]	10100 [3.0]	16.00	13.00	1000 [471.9]	8053146
RA1436AJ1	R801TA075521ZXA	RCF3621MTAM	36000 [10.6]	25900 [7.6]	10100 [3.0]	16.00	13.00	1000 [471.9]	8053146
		RCF3621STAM	32200 [9.4]	24200 [7.1]	10000 [2.9]	14.00	11.50	950 [448.4]	8053159
RA1436AJ1	R801TA075521ZXA	RCF3621STAM	32200 [9.4]	24200 [7.1]	10000 [2.9]	14.00	11.50	950 [448.4]	8053159
		RCF3624HTAM	36000 [10.6]	25900 [7.6]	10100 [3.0]	16.00	13.00	1250 [589.9]	8053170
RA1436AJ1	R801TA075521ZXA	RCF3624HTAM	36000 [10.6]	25900 [7.6]	10100 [3.0]	16.00	13.00	1250 [589.9]	8053170
		RCF3624MTAM	36000 [10.6]	25900 [7.6]	10100 [3.0]	16.00	13.00	1000 [471.9]	8053182
RA1436AJ1	R801TA075521ZXA	RCF3624MTAM	36000 [10.6]	25900 [7.6]	10100 [3.0]	16.00	13.00	1000 [471.9]	8053182
RA1436AJ1	R801TA075521ZXB	RCF3621MTAM	36000 [10.6]	25900 [7.6]	10100 [3.0]	16.00	13.00	1000 [471.9]	8387880
RA1436AJ1	R801TA075521ZXB	RCF3621MTAM	36000 [10.6]	25900 [7.6]	10100 [3.0]	16.00	13.00	1000 [471.9]	8387880
		RCF3621STAM	34200 [10.0]	24200 [7.1]	10000 [2.9]	15.10	12.50	950 [448.4]	8387909
RA1436AJ1	R801TA075521ZXB	RCF3621STAM	34200 [10.0]	24200 [7.1]	10000 [2.9]	15.10	12.50	950 [448.4]	8387909
		RCF3624HTAM	36000 [10.6]	25900 [7.6]	10100 [3.0]	16.00	13.00	1250 [589.9]	8387936
RA1436AJ1	R801TA075521ZXB	RCF3624HTAM	36000 [10.6]	25900 [7.6]	10100 [3.0]	16.00	13.00	1250 [589.9]	8387936
		RCF3624MTAM	36000 [10.6]	25900 [7.6]	10100 [3.0]	16.00	13.00	1000 [471.9]	8387961
RA1436AJ1	R801TA075521ZXB	RCF3624MTAM	36000 [10.6]	25900 [7.6]	10100 [3.0]	16.00	13.00	1000 [471.9]	8387961
RA1436AJ1	R801TA100521MSA	RCF3621HTAM	36000 [10.6]	25900 [7.6]	10100 [3.0]	16.00	13.00	1075 [507.3]	8083469
RA1436AJ1	R801TA100521MSA	RCF3621HTAM	36000 [10.6]	25900 [7.6]	10100 [3.0]	16.00	13.00	1075 [507.3]	8083469
		RCF3621MTAM	36000 [10.6]	25900 [7.6]	10100 [3.0]	16.00	13.00	1050 [495.5]	7501062
RA1436AJ1	R801TA100521MSA	RCF3621MTAM	36000 [10.6]	25900 [7.6]	10100 [3.0]	16.00	13.00	1050 [495.5]	7501062
		RCF3621STAM	32600 [9.6]	24800 [7.3]	9800 [2.9]	14.50	12.00	1000 [471.9]	7501067
RA1436AJ1	R801TA100521MSA	RCF3621STAM	32600 [9.6]	24800 [7.3]	9800 [2.9]	14.50	12.00	1000 [471.9]	7501067
		RCF3624HTAM	36000 [10.6]	25900 [7.6]	10100 [3.0]	16.00	13.00	1100 [519.1]	7501070
RA1436AJ1	R801TA100521MSA	RCF3624HTAM	36000 [10.6]	25900 [7.6]	10100 [3.0]	16.00	13.00	1100 [519.1]	7501070
		RCF3624MTAM	36000 [10.6]	25900 [7.6]	10100 [3.0]	16.00	13.00	1050 [495.5]	7501075
RA1436AJ1	R801TA100521MSA	RCF3624MTAM	36000 [10.6]	25900 [7.6]	10100 [3.0]	16.00	13.00	1050 [495.5]	7501075
RA1436AJ1	R801TA100521MXA	RCF3621HTAM	36000 [10.6]	25900 [7.6]	10100 [3.0]	16.00	13.00	1075 [507.3]	8387872
RA1436AJ1	R801TA100521MXA	RCF3621HTAM	36000 [10.6]	25900 [7.6]	10100 [3.0]	16.00	13.00	1075 [507.3]	8387872
		RCF3621MTAM	36000 [10.6]	25900 [7.6]	10100 [3.0]	16.00	13.00	1050 [495.5]	8053147
RA1436AJ1	R801TA100521MXA	RCF3621MTAM	36000 [10.6]	25900 [7.6]	10100 [3.0]	16.00	13.00	1050 [495.5]	8053147
		RCF3621STAM	32600 [9.6]	24800 [7.3]	9800 [2.9]	14.50	12.00	1000 [471.9]	8053160
RA1436AJ1	R801TA100521MXA	RCF3621STAM	32600 [9.6]	24800 [7.3]	9800 [2.9]	14.50	12.00	1000 [471.9]	8053160
		RCF3624HTAM	36000 [10.6]	25900 [7.6]	10100 [3.0]	16.00	13.00	1100 [519.1]	8053171
RA1436AJ1	R801TA100521MXA	RCF3624HTAM	36000 [10.6]	25900 [7.6]	10100 [3.0]	16.00	13.00	1100 [519.1]	8053171
		RCF3624MTAM	36000 [10.6]	25900 [7.6]	10100 [3.0]	16.00	13.00	1050 [495.5]	8053183
RA1436AJ1	R801TA100521MXA	RCF3624MTAM	36000 [10.6]	25900 [7.6]	10100 [3.0]	16.00	13.00	1050 [495.5]	8053183
RA1436AJ1	R801TA100521ZSA	RCF3621MTAM	36000 [10.6]	25900 [7.6]	10100 [3.0]	16.00	13.00	975 [460.1]	7501063
RA1436AJ1	R801TA100521ZSA	RCF3621MTAM	36000 [10.6]	25900 [7.6]	10100 [3.0]	16.00	13.00	975 [460.1]	7501063
		RCF3621STAM	33000 [9.7]	24200 [7.1]	10000 [2.9]	14.00	11.50	1175 [554.5]	7501068

[ ] Designates Metric Conversions

## Performance Data @ AHRI Standard Conditions – Cooling (con't.)

R801T: Achiever Plus Single-Stage X-13 80% Furnace Ratings									
Outdoor Unit	Furnace	Indoor Coil	Total Capacity BTU/H [kW]	Net Sensible BTU/H [kW]	Net Latent BTU/H [kW]	SEER	EER	Indoor CFM [L/s]	AHRI#
RA1436AJ1	R801TA100521ZSA	RCF3621STAM	33000 [9.7]	24200 [7.1]	10000 [2.9]	14.00	11.50	1175 [554.5]	7501068
		RCF3624HTAM	36000 [10.6]	25900 [7.6]	10100 [3.0]	16.00	13.00	1250 [589.9]	7501071
RA1436AJ1	R801TA100521ZSA	RCF3624HTAM	36000 [10.6]	25900 [7.6]	10100 [3.0]	16.00	13.00	1250 [589.9]	7501071
		RCF3624MTAM	36000 [10.6]	25900 [7.6]	10100 [3.0]	16.00	13.00	975 [460.1]	7501076
RA1436AJ1	R801TA100521ZSA	RCF3624MTAM	36000 [10.6]	25900 [7.6]	10100 [3.0]	16.00	13.00	975 [460.1]	7501076
RA1436AJ1	R801TA100521ZSB	RCF3621MTAM	36000 [10.6]	25900 [7.6]	10100 [3.0]	16.00	13.00	975 [460.1]	8387881
RA1436AJ1	R801TA100521ZSB	RCF3621MTAM	36000 [10.6]	25900 [7.6]	10100 [3.0]	16.00	13.00	975 [460.1]	8387881
		RCF3621STAM	34200 [10.0]	24200 [7.1]	10000 [2.9]	15.10	12.50	950 [448.4]	8387910
RA1436AJ1	R801TA100521ZSB	RCF3621STAM	34200 [10.0]	24200 [7.1]	10000 [2.9]	15.10	12.50	950 [448.4]	8387910
		RCF3624HTAM	36000 [10.6]	25900 [7.6]	10100 [3.0]	16.00	13.00	1250 [589.9]	8387937
RA1436AJ1	R801TA100521ZSB	RCF3624HTAM	36000 [10.6]	25900 [7.6]	10100 [3.0]	16.00	13.00	1250 [589.9]	8387937
		RCF3624MTAM	36000 [10.6]	25900 [7.6]	10100 [3.0]	16.00	13.00	975 [460.1]	8387962
RA1436AJ1	R801TA100521ZSB	RCF3624MTAM	36000 [10.6]	25900 [7.6]	10100 [3.0]	16.00	13.00	975 [460.1]	8387962
RA1436AJ1	R801TA100521ZXA	RCF3621MTAM	36000 [10.6]	25900 [7.6]	10100 [3.0]	16.00	13.00	975 [460.1]	8053148
RA1436AJ1	R801TA100521ZXA	RCF3621MTAM	36000 [10.6]	25900 [7.6]	10100 [3.0]	16.00	13.00	975 [460.1]	8053148
		RCF3621STAM	33000 [9.7]	24200 [7.1]	10000 [2.9]	14.00	11.50	1175 [554.5]	8053161
RA1436AJ1	R801TA100521ZXA	RCF3621STAM	33000 [9.7]	24200 [7.1]	10000 [2.9]	14.00	11.50	1175 [554.5]	8053161
		RCF3624HTAM	36000 [10.6]	25900 [7.6]	10100 [3.0]	16.00	13.00	1250 [589.9]	8053172
RA1436AJ1	R801TA100521ZXA	RCF3624HTAM	36000 [10.6]	25900 [7.6]	10100 [3.0]	16.00	13.00	1250 [589.9]	8053172
		RCF3624MTAM	36000 [10.6]	25900 [7.6]	10100 [3.0]	16.00	13.00	975 [460.1]	8053184
RA1436AJ1	R801TA100521ZXA	RCF3624MTAM	36000 [10.6]	25900 [7.6]	10100 [3.0]	16.00	13.00	975 [460.1]	8053184
RA1436AJ1	R801TA100521ZXB	RCF3621MTAM	36000 [10.6]	25900 [7.6]	10100 [3.0]	16.00	13.00	975 [460.1]	8387882
RA1436AJ1	R801TA100521ZXB	RCF3621MTAM	36000 [10.6]	25900 [7.6]	10100 [3.0]	16.00	13.00	975 [460.1]	8387882
		RCF3621STAM	34200 [10.0]	24200 [7.1]	10000 [2.9]	15.10	12.50	950 [448.4]	8387911
RA1436AJ1	R801TA100521ZXB	RCF3621STAM	34200 [10.0]	24200 [7.1]	10000 [2.9]	15.10	12.50	950 [448.4]	8387911
		RCF3624HTAM	36000 [10.6]	25900 [7.6]	10100 [3.0]	16.00	13.00	1250 [589.9]	8387938
RA1436AJ1	R801TA100521ZXB	RCF3624HTAM	36000 [10.6]	25900 [7.6]	10100 [3.0]	16.00	13.00	1250 [589.9]	8387938
		RCF3624MTAM	36000 [10.6]	25900 [7.6]	10100 [3.0]	16.00	13.00	975 [460.1]	8387963
RA1436AJ1	R801TA100521ZXB	RCF3624MTAM	36000 [10.6]	25900 [7.6]	10100 [3.0]	16.00	13.00	975 [460.1]	8387963
RA1436AJ1	R801TA125524MSA	RCF3624HTAM	36000 [10.6]	25900 [7.6]	10100 [3.0]	16.00	13.00	1200 [566.3]	7501072
RA1436AJ1	R801TA125524MSA	RCF3624HTAM	36000 [10.6]	25900 [7.6]	10100 [3.0]	16.00	13.00	1200 [566.3]	7501072
		RCF3624MTAM	36000 [10.6]	25900 [7.6]	10100 [3.0]	16.00	13.00	1175 [554.5]	7501077
RA1436AJ1	R801TA125524MSA	RCF3624MTAM	36000 [10.6]	25900 [7.6]	10100 [3.0]	16.00	13.00	1175 [554.5]	7501077
RA1436AJ1	R801TA125524MXA	RCF3624HTAM	36000 [10.6]	25900 [7.6]	10100 [3.0]	16.00	13.00	1200 [566.3]	8053173
RA1436AJ1	R801TA125524MXA	RCF3624HTAM	36000 [10.6]	25900 [7.6]	10100 [3.0]	16.00	13.00	1200 [566.3]	8053173
		RCF3624MTAM	36000 [10.6]	25900 [7.6]	10100 [3.0]	16.00	13.00	1175 [554.5]	8053185
RA1436AJ1	R801TA125524MXA	RCF3624MTAM	36000 [10.6]	25900 [7.6]	10100 [3.0]	16.00	13.00	1175 [554.5]	8053185
RA1436AJ1	R801TA125524ZSA	RCF3624HTAM	36000 [10.6]	25900 [7.6]	10100 [3.0]	16.00	13.00	1150 [542.7]	7501073
RA1436AJ1	R801TA125524ZSA	RCF3624HTAM	36000 [10.6]	25900 [7.6]	10100 [3.0]	16.00	13.00	1150 [542.7]	7501073
		RCF3624MTAM	36000 [10.6]	25900 [7.6]	10100 [3.0]	16.00	13.00	1100 [519.1]	7501078
RA1436AJ1	R801TA125524ZSA	RCF3624MTAM	36000 [10.6]	25900 [7.6]	10100 [3.0]	16.00	13.00	1100 [519.1]	7501078
RA1436AJ1	R801TA125524ZSB	RCF3624HTAM	36000 [10.6]	25900 [7.6]	10100 [3.0]	16.00	13.00	1150 [542.7]	8387939
RA1436AJ1	R801TA125524ZSB	RCF3624HTAM	36000 [10.6]	25900 [7.6]	10100 [3.0]	16.00	13.00	1150 [542.7]	8387939
		RCF3624MTAM	36000 [10.6]	25900 [7.6]	10100 [3.0]	16.00	13.00	1100 [519.1]	8387964
RA1436AJ1	R801TA125524ZSB	RCF3624MTAM	36000 [10.6]	25900 [7.6]	10100 [3.0]	16.00	13.00	1100 [519.1]	8387964
RA1436AJ1	R801TA125524ZXA	RCF3624HTAM	36000 [10.6]	25900 [7.6]	10100 [3.0]	16.00	13.00	1150 [542.7]	8053174
RA1436AJ1	R801TA125524ZXA	RCF3624HTAM	36000 [10.6]	25900 [7.6]	10100 [3.0]	16.00	13.00	1150 [542.7]	8053174
		RCF3624MTAM	36000 [10.6]	25900 [7.6]	10100 [3.0]	16.00	13.00	1100 [519.1]	8053186
RA1436AJ1	R801TA125524ZXA	RCF3624MTAM	36000 [10.6]	25900 [7.6]	10100 [3.0]	16.00	13.00	1100 [519.1]	8053186

[ ] Designates Metric Conversions

## Performance Data @ AHRI Standard Conditions – Cooling (con't.)

R801T: Achiever Plus Single-Stage X-13 80% Furnace Ratings									
Outdoor Unit	Furnace	Indoor Coil	Total Capacity BTU/H [kW]	Net Sensible BTU/H [kW]	Net Latent BTU/H [kW]	SEER	EER	Indoor CFM [L/s]	AHRI#
RA1436AJ1	R801TA125524ZXB	RCF3624HTAM	36000 [10.6]	25900 [7.6]	10100 [3.0]	16.00	13.00	1150 [542.7]	8387940
RA1436AJ1	R801TA125524ZXB	RCF3624HTAM	36000 [10.6]	25900 [7.6]	10100 [3.0]	16.00	13.00	1150 [542.7]	8387940
		RCF3624MTAM	36000 [10.6]	25900 [7.6]	10100 [3.0]	16.00	13.00	1100 [519.1]	8387965
RA1436AJ1	R801TA125524ZXB	RCF3624MTAM	36000 [10.6]	25900 [7.6]	10100 [3.0]	16.00	13.00	1100 [519.1]	8387965
RA1436AJ1	R801TB075317ZSB	RCF3617STAM	34600 [10.1]	25000 [7.3]	9600 [2.8]	14.50	12.00	1050 [495.5]	8387861
RA1436AJ1	R801TB075317ZSB	RCF3617STAM	34600 [10.1]	25000 [7.3]	9600 [2.8]	14.50	12.00	1050 [495.5]	8387861
		RCF3621MTAM	36000 [10.6]	25900 [7.6]	10100 [3.0]	15.50	13.00	1075 [507.3]	8387883
RA1436AJ1	R801TB075317ZSB	RCF3621MTAM	36000 [10.6]	25900 [7.6]	10100 [3.0]	15.50	13.00	1075 [507.3]	8387883
		RCF3621STAM	34600 [10.1]	25000 [7.3]	9600 [2.8]	14.50	12.00	1050 [495.5]	8387912
RA1436AJ1	R801TB075317ZSB	RCF3621STAM	34600 [10.1]	25000 [7.3]	9600 [2.8]	14.50	12.00	1050 [495.5]	8387912
RA1436AJ1	R801TB075317ZXB	RCF3617STAM	34600 [10.1]	25000 [7.3]	9600 [2.8]	14.50	12.00	1050 [495.5]	8387862
RA1436AJ1	R801TB075317ZXB	RCF3617STAM	34600 [10.1]	25000 [7.3]	9600 [2.8]	14.50	12.00	1050 [495.5]	8387862
		RCF3621MTAM	36000 [10.6]	25900 [7.6]	10100 [3.0]	15.50	13.00	1075 [507.3]	8387884
RA1436AJ1	R801TB075317ZXB	RCF3621MTAM	36000 [10.6]	25900 [7.6]	10100 [3.0]	15.50	13.00	1075 [507.3]	8387884
		RCF3621STAM	34600 [10.1]	25000 [7.3]	9600 [2.8]	14.50	12.00	1050 [495.5]	8387913
RA1436AJ1	R801TB075317ZXB	RCF3621STAM	34600 [10.1]	25000 [7.3]	9600 [2.8]	14.50	12.00	1050 [495.5]	8387913
RA1436AJ1	R801TB075521ZSB	RCF3621MTAM	36000 [10.6]	25900 [7.6]	10100 [3.0]	16.00	13.00	1000 [471.9]	8387885
RA1436AJ1	R801TB075521ZSB	RCF3621MTAM	36000 [10.6]	25900 [7.6]	10100 [3.0]	16.00	13.00	1000 [471.9]	8387885
		RCF3621STAM	34200 [10.0]	24200 [7.1]	10000 [2.9]	15.10	12.50	950 [448.4]	8387914
RA1436AJ1	R801TB075521ZSB	RCF3621STAM	34200 [10.0]	24200 [7.1]	10000 [2.9]	15.10	12.50	950 [448.4]	8387914
		RCF3624HTAM	36000 [10.6]	25900 [7.6]	10100 [3.0]	16.00	13.00	1250 [589.9]	8387941
RA1436AJ1	R801TB075521ZSB	RCF3624HTAM	36000 [10.6]	25900 [7.6]	10100 [3.0]	16.00	13.00	1250 [589.9]	8387941
		RCF3624MTAM	36000 [10.6]	25900 [7.6]	10100 [3.0]	16.00	13.00	1000 [471.9]	8387966
RA1436AJ1	R801TB075521ZSB	RCF3624MTAM	36000 [10.6]	25900 [7.6]	10100 [3.0]	16.00	13.00	1000 [471.9]	8387966
RA1436AJ1	R801TB075521ZXB	RCF3621MTAM	36000 [10.6]	25900 [7.6]	10100 [3.0]	16.00	13.00	1000 [471.9]	8387886
RA1436AJ1	R801TB075521ZXB	RCF3621MTAM	36000 [10.6]	25900 [7.6]	10100 [3.0]	16.00	13.00	1000 [471.9]	8387886
		RCF3621STAM	34200 [10.0]	24200 [7.1]	10000 [2.9]	15.10	12.50	950 [448.4]	8387915
RA1436AJ1	R801TB075521ZXB	RCF3621STAM	34200 [10.0]	24200 [7.1]	10000 [2.9]	15.10	12.50	950 [448.4]	8387915
		RCF3624HTAM	36000 [10.6]	25900 [7.6]	10100 [3.0]	16.00	13.00	1250 [589.9]	8387942
RA1436AJ1	R801TB075521ZXB	RCF3624HTAM	36000 [10.6]	25900 [7.6]	10100 [3.0]	16.00	13.00	1250 [589.9]	8387942
		RCF3624MTAM	36000 [10.6]	25900 [7.6]	10100 [3.0]	16.00	13.00	1000 [471.9]	8387967
RA1436AJ1	R801TB075521ZXB	RCF3624MTAM	36000 [10.6]	25900 [7.6]	10100 [3.0]	16.00	13.00	1000 [471.9]	8387967
RA1436AJ1	R801TB100521ZSB	RCF3621MTAM	36000 [10.6]	25900 [7.6]	10100 [3.0]	16.00	13.00	975 [460.1]	8387887
RA1436AJ1	R801TB100521ZSB	RCF3621MTAM	36000 [10.6]	25900 [7.6]	10100 [3.0]	16.00	13.00	975 [460.1]	8387887
		RCF3621STAM	34200 [10.0]	24200 [7.1]	10000 [2.9]	15.10	12.50	950 [448.4]	8387916
RA1436AJ1	R801TB100521ZSB	RCF3621STAM	34200 [10.0]	24200 [7.1]	10000 [2.9]	15.10	12.50	950 [448.4]	8387916
		RCF3624HTAM	36000 [10.6]	25900 [7.6]	10100 [3.0]	16.00	13.00	1250 [589.9]	8387943
RA1436AJ1	R801TB100521ZSB	RCF3624HTAM	36000 [10.6]	25900 [7.6]	10100 [3.0]	16.00	13.00	1250 [589.9]	8387943
		RCF3624MTAM	36000 [10.6]	25900 [7.6]	10100 [3.0]	16.00	13.00	975 [460.1]	8387968
RA1436AJ1	R801TB100521ZSB	RCF3624MTAM	36000 [10.6]	25900 [7.6]	10100 [3.0]	16.00	13.00	975 [460.1]	8387968
RA1436AJ1	R801TB100521ZXB	RCF3621MTAM	36000 [10.6]	25900 [7.6]	10100 [3.0]	16.00	13.00	975 [460.1]	8387888
RA1436AJ1	R801TB100521ZXB	RCF3621MTAM	36000 [10.6]	25900 [7.6]	10100 [3.0]	16.00	13.00	975 [460.1]	8387888
		RCF3621STAM	34200 [10.0]	24200 [7.1]	10000 [2.9]	15.10	12.50	950 [448.4]	8387917
RA1436AJ1	R801TB100521ZXB	RCF3621STAM	34200 [10.0]	24200 [7.1]	10000 [2.9]	15.10	12.50	950 [448.4]	8387917
		RCF3624HTAM	36000 [10.6]	25900 [7.6]	10100 [3.0]	16.00	13.00	1250 [589.9]	8387944
RA1436AJ1	R801TB100521ZXB	RCF3624HTAM	36000 [10.6]	25900 [7.6]	10100 [3.0]	16.00	13.00	1250 [589.9]	8387944
		RCF3624MTAM	36000 [10.6]	25900 [7.6]	10100 [3.0]	16.00	13.00	975 [460.1]	8387969
RA1436AJ1	R801TB100521ZXB	RCF3624MTAM	36000 [10.6]	25900 [7.6]	10100 [3.0]	16.00	13.00	975 [460.1]	8387969
RA1436AJ1	R801TB125524ZSB	RCF3624HTAM	36000 [10.6]	25900 [7.6]	10100 [3.0]	16.00	13.00	1150 [542.7]	8387945

[ ] Designates Metric Conversions

## Performance Data @ AHRI Standard Conditions – Cooling (con't.)

R801T: Achiever Plus Single-Stage X-13 80% Furnace Ratings									
Outdoor Unit	Furnace	Indoor Coil	Total Capacity BTU/H [kW]	Net Sensible BTU/H [kW]	Net Latent BTU/H [kW]	SEER	EER	Indoor CFM [L/s]	AHRI#
RA1436AJ1	R801TB125524ZSB	RCF3624HTAM	36000 [10.6]	25900 [7.6]	10100 [3.0]	16.00	13.00	1150 [542.7]	8387945
		RCF3624MTAM	36000 [10.6]	25900 [7.6]	10100 [3.0]	16.00	13.00	1100 [519.1]	8387970
RA1436AJ1	R801TB125524ZSB	RCF3624MTAM	36000 [10.6]	25900 [7.6]	10100 [3.0]	16.00	13.00	1100 [519.1]	8387970
RA1436AJ1	R801TB125524ZXB	RCF3624HTAM	36000 [10.6]	25900 [7.6]	10100 [3.0]	16.00	13.00	1150 [542.7]	8387946
RA1436AJ1	R801TB125524ZXB	RCF3624HTAM	36000 [10.6]	25900 [7.6]	10100 [3.0]	16.00	13.00	1150 [542.7]	8387946
		RCF3624MTAM	36000 [10.6]	25900 [7.6]	10100 [3.0]	16.00	13.00	1100 [519.1]	8387971
RA1436AJ1	R801TB125524ZXB	RCF3624MTAM	36000 [10.6]	25900 [7.6]	10100 [3.0]	16.00	13.00	1100 [519.1]	8387971
RA1442AJ1	R801TA075317ZSA	RCF4821MTAM	42000 [12.3]	31600 [9.3]	10400 [3.0]	14.50	12.00	1350 [637.1]	8388580
RA1442AJ1	R801TA075317ZSA	RCF4821MTAM	42000 [12.3]	31600 [9.3]	10400 [3.0]	14.50	12.00	1350 [637.1]	8388580
		RCF4821STAM	38500 [11.3]	29700 [8.7]	11300 [3.3]	14.00	11.50	1075 [507.3]	7501130
RA1442AJ1	R801TA075317ZSA	RCF4821STAM	38500 [11.3]	29700 [8.7]	11300 [3.3]	14.00	11.50	1075 [507.3]	7501130
RA1442AJ1	R801TA075317ZSB	RCF4821MTAM	42000 [12.3]	31600 [9.3]	10400 [3.0]	14.50	12.00	1350 [637.1]	8388581
RA1442AJ1	R801TA075317ZSB	RCF4821MTAM	42000 [12.3]	31600 [9.3]	10400 [3.0]	14.50	12.00	1350 [637.1]	8388581
		RCF4821STAM	41000 [12.0]	29700 [8.7]	11300 [3.3]	14.50	12.00	1250 [589.9]	8388646
RA1442AJ1	R801TA075317ZSB	RCF4821STAM	41000 [12.0]	29700 [8.7]	11300 [3.3]	14.50	12.00	1250 [589.9]	8388646
RA1442AJ1	R801TA075317ZXA	RCF4821MTAM	42000 [12.3]	31600 [9.3]	10400 [3.0]	14.50	12.00	1350 [637.1]	8388582
RA1442AJ1	R801TA075317ZXA	RCF4821MTAM	42000 [12.3]	31600 [9.3]	10400 [3.0]	14.50	12.00	1350 [637.1]	8388582
		RCF4821STAM	38500 [11.3]	29700 [8.7]	11300 [3.3]	14.00	11.50	1075 [507.3]	8053396
RA1442AJ1	R801TA075317ZXA	RCF4821STAM	38500 [11.3]	29700 [8.7]	11300 [3.3]	14.00	11.50	1075 [507.3]	8053396
RA1442AJ1	R801TA075317ZXB	RCF4821MTAM	42000 [12.3]	31600 [9.3]	10400 [3.0]	14.50	12.00	1350 [637.1]	8388583
RA1442AJ1	R801TA075317ZXB	RCF4821MTAM	42000 [12.3]	31600 [9.3]	10400 [3.0]	14.50	12.00	1350 [637.1]	8388583
		RCF4821STAM	41000 [12.0]	29700 [8.7]	11300 [3.3]	14.50	12.00	1250 [589.9]	8388647
RA1442AJ1	R801TA075317ZXB	RCF4821STAM	41000 [12.0]	29700 [8.7]	11300 [3.3]	14.50	12.00	1250 [589.9]	8388647
RA1442AJ1	R801TA075417MSA	RCF4821MTAM	42000 [12.3]	31600 [9.3]	10400 [3.0]	15.10	12.50	1300 [613.5]	8083550
RA1442AJ1	R801TA075417MSA	RCF4821MTAM	42000 [12.3]	31600 [9.3]	10400 [3.0]	15.10	12.50	1300 [613.5]	8083550
		RCF4821STAM	39500 [11.6]	30900 [9.1]	10600 [3.1]	14.00	11.50	1275 [601.7]	7501131
RA1442AJ1	R801TA075417MSA	RCF4821STAM	39500 [11.6]	30900 [9.1]	10600 [3.1]	14.00	11.50	1275 [601.7]	7501131
RA1442AJ1	R801TA075417MXA	RCF4821MTAM	42000 [12.3]	31600 [9.3]	10400 [3.0]	15.10	12.50	1300 [613.5]	8388584
RA1442AJ1	R801TA075417MXA	RCF4821MTAM	42000 [12.3]	31600 [9.3]	10400 [3.0]	15.10	12.50	1300 [613.5]	8388584
		RCF4821STAM	39500 [11.6]	30900 [9.1]	10600 [3.1]	14.00	11.50	1275 [601.7]	8053397
RA1442AJ1	R801TA075417MXA	RCF4821STAM	39500 [11.6]	30900 [9.1]	10600 [3.1]	14.00	11.50	1275 [601.7]	8053397
RA1442AJ1	R801TA075421MSA	RCF4821MTAM	42000 [12.3]	31600 [9.3]	10400 [3.0]	15.10	12.50	1425 [672.5]	8083551
RA1442AJ1	R801TA075421MSA	RCF4821MTAM	42000 [12.3]	31600 [9.3]	10400 [3.0]	15.10	12.50	1425 [672.5]	8083551
		RCF4821STAM	41000 [12.0]	29400 [8.6]	11600 [3.4]	15.00	12.50	1200 [566.3]	8053398
RA1442AJ1	R801TA075421MSA	RCF4821STAM	41000 [12.0]	29400 [8.6]	11600 [3.4]	15.00	12.50	1200 [566.3]	8053398
RA1442AJ1	R801TA075421MSA	RCF4824HTAM	42000 [12.3]	31600 [9.3]	10400 [3.0]	15.50	13.00	1250 [589.9]	8053409
		RCF4824STAM	41000 [12.0]	29400 [8.6]	11600 [3.4]	15.00	12.50	1200 [566.3]	8053421
RA1442AJ1	R801TA075421MSA	RCF4824STAM	41000 [12.0]	29400 [8.6]	11600 [3.4]	15.00	12.50	1200 [566.3]	8053421
RA1442AJ1	R801TA075421MXA	RCF4821MTAM	42000 [12.3]	31600 [9.3]	10400 [3.0]	15.10	12.50	1425 [672.5]	8388585
RA1442AJ1	R801TA075421MXA	RCF4821MTAM	42000 [12.3]	31600 [9.3]	10400 [3.0]	15.10	12.50	1425 [672.5]	8388585
		RCF4821STAM	41000 [12.0]	29400 [8.6]	11600 [3.4]	15.00	12.50	1200 [566.3]	8388648
RA1442AJ1	R801TA075421MXA	RCF4821STAM	41000 [12.0]	29400 [8.6]	11600 [3.4]	15.00	12.50	1200 [566.3]	8388648
RA1442AJ1	R801TA075421MXA	RCF4824HTAM	42000 [12.3]	31600 [9.3]	10400 [3.0]	15.50	13.00	1250 [589.9]	8388684
		RCF4824STAM	41000 [12.0]	29400 [8.6]	11600 [3.4]	15.00	12.50	1200 [566.3]	8388710
RA1442AJ1	R801TA075421MXA	RCF4824STAM	41000 [12.0]	29400 [8.6]	11600 [3.4]	15.00	12.50	1200 [566.3]	8388710
RA1442AJ1	R801TA075521ZSA	RCF4821MTAM	42000 [12.3]	31600 [9.3]	10400 [3.0]	15.10	12.50	1250 [589.9]	8388586

[ ] Designates Metric Conversions

## Performance Data @ AHRI Standard Conditions – Cooling (con't.)

R801T: Achiever Plus Single-Stage X-13 80% Furnace Ratings									
Outdoor Unit	Furnace	Indoor Coil	Total Capacity BTU/H [kW]	Net Sensible BTU/H [kW]	Net Latent BTU/H [kW]	SEER	EER	Indoor CFM [L/s]	AHRI#
RA1442AJ1	R801TA075521ZSA	RCF4821MTAM	42000 [12.3]	31600 [9.3]	10400 [3.0]	15.10	12.50	1250 [589.9]	8388586
		RCF4821STAM	39000 [11.4]	31700 [9.3]	10300 [3.0]	14.00	11.50	1225 [578.1]	7501132
RA1442AJ1	R801TA075521ZSA	RCF4821STAM	39000 [11.4]	31700 [9.3]	10300 [3.0]	14.00	11.50	1225 [578.1]	7501132
		RCF4824HTAM	42000 [12.3]	31600 [9.3]	10400 [3.0]	15.50	13.00	1250 [589.9]	7501135
RA1442AJ1	R801TA075521ZSA	RCF4824HTAM	42000 [12.3]	31600 [9.3]	10400 [3.0]	15.50	13.00	1250 [589.9]	7501135
		RCF4824STAM	39000 [11.4]	31700 [9.3]	10300 [3.0]	14.00	11.50	1225 [578.1]	7501140
RA1442AJ1	R801TA075521ZSA	RCF4824STAM	39000 [11.4]	31700 [9.3]	10300 [3.0]	14.00	11.50	1225 [578.1]	7501140
RA1442AJ1	R801TA075521ZSB	RCF4821MTAM	42000 [12.3]	31600 [9.3]	10400 [3.0]	15.10	12.50	1250 [589.9]	8388587
RA1442AJ1	R801TA075521ZSB	RCF4821MTAM	42000 [12.3]	31600 [9.3]	10400 [3.0]	15.10	12.50	1250 [589.9]	8388587
		RCF4821STAM	42000 [12.3]	31700 [9.3]	10300 [3.0]	14.50	12.00	1425 [672.5]	8388649
RA1442AJ1	R801TA075521ZSB	RCF4821STAM	42000 [12.3]	31700 [9.3]	10300 [3.0]	14.50	12.00	1425 [672.5]	8388649
		RCF4824HTAM	42000 [12.3]	31600 [9.3]	10400 [3.0]	15.50	13.00	1250 [589.9]	8388685
RA1442AJ1	R801TA075521ZSB	RCF4824HTAM	42000 [12.3]	31600 [9.3]	10400 [3.0]	15.50	13.00	1250 [589.9]	8388685
		RCF4824STAM	42000 [12.3]	31700 [9.3]	10300 [3.0]	14.50	12.00	1425 [672.5]	8388711
RA1442AJ1	R801TA075521ZSB	RCF4824STAM	42000 [12.3]	31700 [9.3]	10300 [3.0]	14.50	12.00	1425 [672.5]	8388711
RA1442AJ1	R801TA075521ZXA	RCF4821MTAM	42000 [12.3]	31600 [9.3]	10400 [3.0]	15.10	12.50	1250 [589.9]	8388588
RA1442AJ1	R801TA075521ZXA	RCF4821MTAM	42000 [12.3]	31600 [9.3]	10400 [3.0]	15.10	12.50	1250 [589.9]	8388588
		RCF4821STAM	39000 [11.4]	31700 [9.3]	10300 [3.0]	14.00	11.50	1225 [578.1]	8053399
RA1442AJ1	R801TA075521ZXA	RCF4821STAM	39000 [11.4]	31700 [9.3]	10300 [3.0]	14.00	11.50	1225 [578.1]	8053399
		RCF4824HTAM	42000 [12.3]	31600 [9.3]	10400 [3.0]	15.50	13.00	1250 [589.9]	8053410
RA1442AJ1	R801TA075521ZXA	RCF4824HTAM	42000 [12.3]	31600 [9.3]	10400 [3.0]	15.50	13.00	1250 [589.9]	8053410
		RCF4824STAM	39000 [11.4]	31700 [9.3]	10300 [3.0]	14.00	11.50	1225 [578.1]	8053422
RA1442AJ1	R801TA075521ZXA	RCF4824STAM	39000 [11.4]	31700 [9.3]	10300 [3.0]	14.00	11.50	1225 [578.1]	8053422
RA1442AJ1	R801TA075521ZXB	RCF4821MTAM	42000 [12.3]	31600 [9.3]	10400 [3.0]	15.10	12.50	1250 [589.9]	8388589
RA1442AJ1	R801TA075521ZXB	RCF4821MTAM	42000 [12.3]	31600 [9.3]	10400 [3.0]	15.10	12.50	1250 [589.9]	8388589
		RCF4821STAM	42000 [12.3]	31700 [9.3]	10300 [3.0]	14.50	12.00	1425 [672.5]	8388650
RA1442AJ1	R801TA075521ZXB	RCF4821STAM	42000 [12.3]	31700 [9.3]	10300 [3.0]	14.50	12.00	1425 [672.5]	8388650
		RCF4824HTAM	42000 [12.3]	31600 [9.3]	10400 [3.0]	15.50	13.00	1250 [589.9]	8388686
RA1442AJ1	R801TA075521ZXB	RCF4824HTAM	42000 [12.3]	31600 [9.3]	10400 [3.0]	15.50	13.00	1250 [589.9]	8388686
		RCF4824STAM	42000 [12.3]	31700 [9.3]	10300 [3.0]	14.50	12.00	1425 [672.5]	8388712
RA1442AJ1	R801TA075521ZXB	RCF4824STAM	42000 [12.3]	31700 [9.3]	10300 [3.0]	14.50	12.00	1425 [672.5]	8388712
RA1442AJ1	R801TA100521MSA	RCF4821MTAM	42000 [12.3]	31600 [9.3]	10400 [3.0]	15.50	13.00	1325 [625.3]	8083552
RA1442AJ1	R801TA100521MSA	RCF4821MTAM	42000 [12.3]	31600 [9.3]	10400 [3.0]	15.50	13.00	1325 [625.3]	8083552
		RCF4821STAM	38500 [11.3]	31100 [9.1]	10900 [3.2]	14.50	12.00	1050 [495.5]	7501133
RA1442AJ1	R801TA100521MSA	RCF4821STAM	38500 [11.3]	31100 [9.1]	10900 [3.2]	14.50	12.00	1050 [495.5]	7501133
		RCF4824HTAM	42000 [12.3]	31600 [9.3]	10400 [3.0]	15.50	13.00	1425 [672.5]	7501136
RA1442AJ1	R801TA100521MSA	RCF4824HTAM	42000 [12.3]	31600 [9.3]	10400 [3.0]	15.50	13.00	1425 [672.5]	7501136
		RCF4824STAM	38500 [11.3]	31100 [9.1]	10900 [3.2]	14.50	12.00	1050 [495.5]	7501141
RA1442AJ1	R801TA100521MSA	RCF4824STAM	38500 [11.3]	31100 [9.1]	10900 [3.2]	14.50	12.00	1050 [495.5]	7501141
RA1442AJ1	R801TA100521MXA	RCF4821MTAM	42000 [12.3]	31600 [9.3]	10400 [3.0]	15.50	13.00	1325 [625.3]	8388590
RA1442AJ1	R801TA100521MXA	RCF4821MTAM	42000 [12.3]	31600 [9.3]	10400 [3.0]	15.50	13.00	1325 [625.3]	8388590
		RCF4821STAM	38500 [11.3]	31100 [9.1]	10900 [3.2]	14.50	12.00	1050 [495.5]	8053400
RA1442AJ1	R801TA100521MXA	RCF4821STAM	38500 [11.3]	31100 [9.1]	10900 [3.2]	14.50	12.00	1050 [495.5]	8053400
		RCF4824HTAM	42000 [12.3]	31600 [9.3]	10400 [3.0]	15.50	13.00	1425 [672.5]	8053411
RA1442AJ1	R801TA100521MXA	RCF4824HTAM	42000 [12.3]	31600 [9.3]	10400 [3.0]	15.50	13.00	1425 [672.5]	8053411
		RCF4824STAM	38500 [11.3]	31100 [9.1]	10900 [3.2]	14.50	12.00	1050 [495.5]	8053423
RA1442AJ1	R801TA100521MXA	RCF4824STAM	38500 [11.3]	31100 [9.1]	10900 [3.2]	14.50	12.00	1050 [495.5]	8053423
RA1442AJ1	R801TA100521ZSA	RCF4821MTAM	42000 [12.3]	31600 [9.3]	10400 [3.0]	15.10	12.50	1225 [578.1]	8388591

[ ] Designates Metric Conversions

## Performance Data @ AHRI Standard Conditions – Cooling (con't.)

R801T: Achiever Plus Single-Stage X-13 80% Furnace Ratings									
Outdoor Unit	Furnace	Indoor Coil	Total Capacity BTU/H [kW]	Net Sensible BTU/H [kW]	Net Latent BTU/H [kW]	SEER	EER	Indoor CFM [L/s]	AHRI#
RA1442AJ1	R801TA100521ZSA	RCF4821MTAM	42000 [12.3]	31600 [9.3]	10400 [3.0]	15.10	12.50	1225 [578.1]	8388591
		RCF4821STAM	39500 [11.6]	31700 [9.3]	10300 [3.0]	14.00	11.50	1225 [578.1]	7501134
RA1442AJ1	R801TA100521ZSA	RCF4821STAM	39500 [11.6]	31700 [9.3]	10300 [3.0]	14.00	11.50	1225 [578.1]	7501134
		RCF4824HTAM	42000 [12.3]	31600 [9.3]	10400 [3.0]	15.50	13.00	1225 [578.1]	7501137
RA1442AJ1	R801TA100521ZSA	RCF4824HTAM	42000 [12.3]	31600 [9.3]	10400 [3.0]	15.50	13.00	1225 [578.1]	7501137
		RCF4824STAM	39500 [11.6]	31700 [9.3]	10300 [3.0]	14.00	11.50	1225 [578.1]	7501142
RA1442AJ1	R801TA100521ZSA	RCF4824STAM	39500 [11.6]	31700 [9.3]	10300 [3.0]	14.00	11.50	1225 [578.1]	7501142
RA1442AJ1	R801TA100521ZSB	RCF4821MTAM	42000 [12.3]	31600 [9.3]	10400 [3.0]	15.10	12.50	1225 [578.1]	8388592
RA1442AJ1	R801TA100521ZSB	RCF4821MTAM	42000 [12.3]	31600 [9.3]	10400 [3.0]	15.10	12.50	1225 [578.1]	8388592
		RCF4821STAM	42000 [12.3]	31700 [9.3]	10300 [3.0]	14.50	12.00	1425 [672.5]	8388651
RA1442AJ1	R801TA100521ZSB	RCF4821STAM	42000 [12.3]	31700 [9.3]	10300 [3.0]	14.50	12.00	1425 [672.5]	8388651
		RCF4824HTAM	42000 [12.3]	31600 [9.3]	10400 [3.0]	15.50	13.00	1225 [578.1]	8388687
RA1442AJ1	R801TA100521ZSB	RCF4824HTAM	42000 [12.3]	31600 [9.3]	10400 [3.0]	15.50	13.00	1225 [578.1]	8388687
		RCF4824STAM	42000 [12.3]	31700 [9.3]	10300 [3.0]	14.50	12.00	1425 [672.5]	8388713
RA1442AJ1	R801TA100521ZSB	RCF4824STAM	42000 [12.3]	31700 [9.3]	10300 [3.0]	14.50	12.00	1425 [672.5]	8388713
RA1442AJ1	R801TA100521ZXA	RCF4821MTAM	42000 [12.3]	31600 [9.3]	10400 [3.0]	15.10	12.50	1225 [578.1]	8388593
RA1442AJ1	R801TA100521ZXA	RCF4821MTAM	42000 [12.3]	31600 [9.3]	10400 [3.0]	15.10	12.50	1225 [578.1]	8388593
		RCF4821STAM	39500 [11.6]	31700 [9.3]	10300 [3.0]	14.00	11.50	1225 [578.1]	8053401
RA1442AJ1	R801TA100521ZXA	RCF4821STAM	39500 [11.6]	31700 [9.3]	10300 [3.0]	14.00	11.50	1225 [578.1]	8053401
		RCF4824HTAM	42000 [12.3]	31600 [9.3]	10400 [3.0]	15.50	13.00	1225 [578.1]	8053412
RA1442AJ1	R801TA100521ZXA	RCF4824HTAM	42000 [12.3]	31600 [9.3]	10400 [3.0]	15.50	13.00	1225 [578.1]	8053412
		RCF4824STAM	39500 [11.6]	31700 [9.3]	10300 [3.0]	14.00	11.50	1225 [578.1]	8053424
RA1442AJ1	R801TA100521ZXA	RCF4824STAM	39500 [11.6]	31700 [9.3]	10300 [3.0]	14.00	11.50	1225 [578.1]	8053424
RA1442AJ1	R801TA100521ZXB	RCF4821MTAM	42000 [12.3]	31600 [9.3]	10400 [3.0]	15.10	12.50	1225 [578.1]	8388594
RA1442AJ1	R801TA100521ZXB	RCF4821MTAM	42000 [12.3]	31600 [9.3]	10400 [3.0]	15.10	12.50	1225 [578.1]	8388594
		RCF4821STAM	42000 [12.3]	31700 [9.3]	10300 [3.0]	14.50	12.00	1425 [672.5]	8388652
RA1442AJ1	R801TA100521ZXB	RCF4821STAM	42000 [12.3]	31700 [9.3]	10300 [3.0]	14.50	12.00	1425 [672.5]	8388652
		RCF4824HTAM	42000 [12.3]	31600 [9.3]	10400 [3.0]	15.50	13.00	1225 [578.1]	8388688
RA1442AJ1	R801TA100521ZXB	RCF4824HTAM	42000 [12.3]	31600 [9.3]	10400 [3.0]	15.50	13.00	1225 [578.1]	8388688
		RCF4824STAM	42000 [12.3]	31700 [9.3]	10300 [3.0]	14.50	12.00	1425 [672.5]	8388714
RA1442AJ1	R801TA100521ZXB	RCF4824STAM	42000 [12.3]	31700 [9.3]	10300 [3.0]	14.50	12.00	1425 [672.5]	8388714
RA1442AJ1	R801TA125524MSA	RCF4824HTAM	42000 [12.3]	31600 [9.3]	10400 [3.0]	15.50	13.00	1375 [648.9]	7501138
RA1442AJ1	R801TA125524MSA	RCF4824HTAM	42000 [12.3]	31600 [9.3]	10400 [3.0]	15.50	13.00	1375 [648.9]	7501138
		RCF4824STAM	39000 [11.4]	31300 [9.2]	10700 [3.1]	14.50	12.00	1175 [554.5]	7501143
RA1442AJ1	R801TA125524MSA	RCF4824STAM	39000 [11.4]	31300 [9.2]	10700 [3.1]	14.50	12.00	1175 [554.5]	7501143
RA1442AJ1	R801TA125524MXA	RCF4824HTAM	42000 [12.3]	31600 [9.3]	10400 [3.0]	15.50	13.00	1375 [648.9]	8053413
RA1442AJ1	R801TA125524MXA	RCF4824HTAM	42000 [12.3]	31600 [9.3]	10400 [3.0]	15.50	13.00	1375 [648.9]	8053413
		RCF4824STAM	39000 [11.4]	31300 [9.2]	10700 [3.1]	14.50	12.00	1175 [554.5]	8053425
RA1442AJ1	R801TA125524MXA	RCF4824STAM	39000 [11.4]	31300 [9.2]	10700 [3.1]	14.50	12.00	1175 [554.5]	8053425
RA1442AJ1	R801TA125524ZSA	RCF4824HTAM	42000 [12.3]	31600 [9.3]	10400 [3.0]	15.50	13.00	1375 [648.9]	7501139
RA1442AJ1	R801TA125524ZSA	RCF4824HTAM	42000 [12.3]	31600 [9.3]	10400 [3.0]	15.50	13.00	1375 [648.9]	7501139
		RCF4824STAM	40000 [11.7]	28900 [8.5]	12100 [3.5]	14.00	11.50	1350 [637.1]	7501144
RA1442AJ1	R801TA125524ZSA	RCF4824STAM	40000 [11.7]	28900 [8.5]	12100 [3.5]	14.00	11.50	1350 [637.1]	7501144
RA1442AJ1	R801TA125524ZSB	RCF4824HTAM	42000 [12.3]	31600 [9.3]	10400 [3.0]	15.50	13.00	1125 [530.9]	8388689
RA1442AJ1	R801TA125524ZSB	RCF4824HTAM	42000 [12.3]	31600 [9.3]	10400 [3.0]	15.50	13.00	1125 [530.9]	8388689
		RCF4824STAM	41000 [12.0]	28900 [8.5]	12100 [3.5]	15.10	12.50	1100 [519.1]	8388715
RA1442AJ1	R801TA125524ZSB	RCF4824STAM	41000 [12.0]	28900 [8.5]	12100 [3.5]	15.10	12.50	1100 [519.1]	8388715
RA1442AJ1	R801TA125524ZXA	RCF4824HTAM	42000 [12.3]	31600 [9.3]	10400 [3.0]	15.50	13.00	1375 [648.9]	8053414

[ ] Designates Metric Conversions

## Performance Data @ AHRI Standard Conditions – Cooling (con't.)

R801T: Achiever Plus Single-Stage X-13 80% Furnace Ratings									
Outdoor Unit	Furnace	Indoor Coil	Total Capacity BTU/H [kW]	Net Sensible BTU/H [kW]	Net Latent BTU/H [kW]	SEER	EER	Indoor CFM [L/s]	AHRI#
RA1442AJ1	R801TA125524ZXA	RCF4824HTAM	42000 [12.3]	31600 [9.3]	10400 [3.0]	15.50	13.00	1375 [648.9]	8053414
		RCF4824STAM	40000 [11.7]	28900 [8.5]	12100 [3.5]	14.00	11.50	1350 [637.1]	8053426
RA1442AJ1	R801TA125524ZXA	RCF4824STAM	40000 [11.7]	28900 [8.5]	12100 [3.5]	14.00	11.50	1350 [637.1]	8053426
RA1442AJ1	R801TA125524ZXB	RCF4824HTAM	42000 [12.3]	31600 [9.3]	10400 [3.0]	15.50	13.00	1125 [530.9]	8388690
RA1442AJ1	R801TA125524ZXB	RCF4824HTAM	42000 [12.3]	31600 [9.3]	10400 [3.0]	15.50	13.00	1125 [530.9]	8388690
		RCF4824STAM	41000 [12.0]	28900 [8.5]	12100 [3.5]	15.10	12.50	1100 [519.1]	8388716
RA1442AJ1	R801TA125524ZXB	RCF4824STAM	41000 [12.0]	28900 [8.5]	12100 [3.5]	15.10	12.50	1100 [519.1]	8388716
RA1442AJ1	R801TB075317ZSB	RCF4821MTAM	42000 [12.3]	31600 [9.3]	10400 [3.0]	14.50	12.00	1350 [637.1]	8388595
RA1442AJ1	R801TB075317ZSB	RCF4821MTAM	42000 [12.3]	31600 [9.3]	10400 [3.0]	14.50	12.00	1350 [637.1]	8388595
		RCF4821STAM	41000 [12.0]	29700 [8.7]	11300 [3.3]	14.50	12.00	1250 [589.9]	8388653
RA1442AJ1	R801TB075317ZSB	RCF4821STAM	41000 [12.0]	29700 [8.7]	11300 [3.3]	14.50	12.00	1250 [589.9]	8388653
RA1442AJ1	R801TB075317ZXB	RCF4821MTAM	42000 [12.3]	31600 [9.3]	10400 [3.0]	14.50	12.00	1350 [637.1]	8388596
RA1442AJ1	R801TB075317ZXB	RCF4821MTAM	42000 [12.3]	31600 [9.3]	10400 [3.0]	14.50	12.00	1350 [637.1]	8388596
		RCF4821STAM	41000 [12.0]	29700 [8.7]	11300 [3.3]	14.50	12.00	1250 [589.9]	8388654
RA1442AJ1	R801TB075317ZXB	RCF4821STAM	41000 [12.0]	29700 [8.7]	11300 [3.3]	14.50	12.00	1250 [589.9]	8388654
RA1442AJ1	R801TB075521ZSB	RCF4821MTAM	42000 [12.3]	31600 [9.3]	10400 [3.0]	15.10	12.50	1250 [589.9]	8388597
RA1442AJ1	R801TB075521ZSB	RCF4821MTAM	42000 [12.3]	31600 [9.3]	10400 [3.0]	15.10	12.50	1250 [589.9]	8388597
		RCF4821STAM	42000 [12.3]	31700 [9.3]	10300 [3.0]	14.50	12.00	1425 [672.5]	8388655
RA1442AJ1	R801TB075521ZSB	RCF4821STAM	42000 [12.3]	31700 [9.3]	10300 [3.0]	14.50	12.00	1425 [672.5]	8388655
		RCF4824HTAM	42000 [12.3]	31600 [9.3]	10400 [3.0]	15.50	13.00	1250 [589.9]	8388691
RA1442AJ1	R801TB075521ZSB	RCF4824HTAM	42000 [12.3]	31600 [9.3]	10400 [3.0]	15.50	13.00	1250 [589.9]	8388691
		RCF4824STAM	42000 [12.3]	31700 [9.3]	10300 [3.0]	14.50	12.00	1425 [672.5]	8388717
RA1442AJ1	R801TB075521ZSB	RCF4824STAM	42000 [12.3]	31700 [9.3]	10300 [3.0]	14.50	12.00	1425 [672.5]	8388717
RA1442AJ1	R801TB075521ZXB	RCF4821MTAM	42000 [12.3]	31600 [9.3]	10400 [3.0]	15.10	12.50	1250 [589.9]	8388598
RA1442AJ1	R801TB075521ZXB	RCF4821MTAM	42000 [12.3]	31600 [9.3]	10400 [3.0]	15.10	12.50	1250 [589.9]	8388598
		RCF4821STAM	42000 [12.3]	31700 [9.3]	10300 [3.0]	14.50	12.00	1425 [672.5]	8388656
RA1442AJ1	R801TB075521ZXB	RCF4821STAM	42000 [12.3]	31700 [9.3]	10300 [3.0]	14.50	12.00	1425 [672.5]	8388656
		RCF4824HTAM	42000 [12.3]	31600 [9.3]	10400 [3.0]	15.50	13.00	1250 [589.9]	8388692
RA1442AJ1	R801TB075521ZXB	RCF4824HTAM	42000 [12.3]	31600 [9.3]	10400 [3.0]	15.50	13.00	1250 [589.9]	8388692
		RCF4824STAM	42000 [12.3]	31700 [9.3]	10300 [3.0]	14.50	12.00	1425 [672.5]	8388718
RA1442AJ1	R801TB075521ZXB	RCF4824STAM	42000 [12.3]	31700 [9.3]	10300 [3.0]	14.50	12.00	1425 [672.5]	8388718
RA1442AJ1	R801TB100521ZSB	RCF4821MTAM	42000 [12.3]	31600 [9.3]	10400 [3.0]	15.10	12.50	1225 [578.1]	8388599
RA1442AJ1	R801TB100521ZSB	RCF4821MTAM	42000 [12.3]	31600 [9.3]	10400 [3.0]	15.10	12.50	1225 [578.1]	8388599
		RCF4821STAM	42000 [12.3]	31700 [9.3]	10300 [3.0]	14.50	12.00	1425 [672.5]	8388657
RA1442AJ1	R801TB100521ZSB	RCF4821STAM	42000 [12.3]	31700 [9.3]	10300 [3.0]	14.50	12.00	1425 [672.5]	8388657
		RCF4824HTAM	42000 [12.3]	31600 [9.3]	10400 [3.0]	15.50	13.00	1225 [578.1]	8388693
RA1442AJ1	R801TB100521ZSB	RCF4824HTAM	42000 [12.3]	31600 [9.3]	10400 [3.0]	15.50	13.00	1225 [578.1]	8388693
		RCF4824STAM	42000 [12.3]	31700 [9.3]	10300 [3.0]	14.50	12.00	1425 [672.5]	8388719
RA1442AJ1	R801TB100521ZSB	RCF4824STAM	42000 [12.3]	31700 [9.3]	10300 [3.0]	14.50	12.00	1425 [672.5]	8388719
RA1442AJ1	R801TB100521ZXB	RCF4821MTAM	42000 [12.3]	31600 [9.3]	10400 [3.0]	15.10	12.50	1225 [578.1]	8388600
RA1442AJ1	R801TB100521ZXB	RCF4821MTAM	42000 [12.3]	31600 [9.3]	10400 [3.0]	15.10	12.50	1225 [578.1]	8388600
		RCF4821STAM	42000 [12.3]	31700 [9.3]	10300 [3.0]	14.50	12.00	1425 [672.5]	8388658
RA1442AJ1	R801TB100521ZXB	RCF4821STAM	42000 [12.3]	31700 [9.3]	10300 [3.0]	14.50	12.00	1425 [672.5]	8388658
		RCF4824HTAM	42000 [12.3]	31600 [9.3]	10400 [3.0]	15.50	13.00	1225 [578.1]	8388694
RA1442AJ1	R801TB100521ZXB	RCF4824HTAM	42000 [12.3]	31600 [9.3]	10400 [3.0]	15.50	13.00	1225 [578.1]	8388694
		RCF4824STAM	42000 [12.3]	31700 [9.3]	10300 [3.0]	14.50	12.00	1425 [672.5]	8388720
RA1442AJ1	R801TB100521ZXB	RCF4824STAM	42000 [12.3]	31700 [9.3]	10300 [3.0]	14.50	12.00	1425 [672.5]	8388720
RA1442AJ1	R801TB125524ZSB	RCF4824HTAM	42000 [12.3]	31600 [9.3]	10400 [3.0]	15.50	13.00	1125 [530.9]	8388695

[ ] Designates Metric Conversions

## Performance Data @ AHRI Standard Conditions – Cooling (con't.)

R801T: Achiever Plus Single-Stage X-13 80% Furnace Ratings									
Outdoor Unit	Furnace	Indoor Coil	Total Capacity BTU/H [kW]	Net Sensible BTU/H [kW]	Net Latent BTU/H [kW]	SEER	EER	Indoor CFM [L/s]	AHRI#
RA1442AJ1	R801TB125524ZSB	RCF4824HTAM	42000 [12.3]	31600 [9.3]	10400 [3.0]	15.50	13.00	1125 [530.9]	8388695
		RCF4824STAM	41000 [12.0]	28900 [8.5]	12100 [3.5]	15.10	12.50	1100 [519.1]	8388721
RA1442AJ1	R801TB125524ZSB	RCF4824STAM	41000 [12.0]	28900 [8.5]	12100 [3.5]	15.10	12.50	1100 [519.1]	8388721
RA1442AJ1	R801TB125524ZXB	RCF4824HTAM	42000 [12.3]	31600 [9.3]	10400 [3.0]	15.50	13.00	1125 [530.9]	8388696
RA1442AJ1	R801TB125524ZXB	RCF4824HTAM	42000 [12.3]	31600 [9.3]	10400 [3.0]	15.50	13.00	1125 [530.9]	8388696
		RCF4824STAM	41000 [12.0]	28900 [8.5]	12100 [3.5]	15.10	12.50	1100 [519.1]	8388722
RA1442AJ1	R801TB125524ZXB	RCF4824STAM	41000 [12.0]	28900 [8.5]	12100 [3.5]	15.10	12.50	1100 [519.1]	8388722
RA1448AJ1	R801TA075317ZSA	RCF4821MTAM	46000 [13.5]	30500 [8.9]	15500 [4.5]	14.50	12.00	1250 [589.9]	8389324
RA1448AJ1	R801TA075317ZSA	RCF4821MTAM	46000 [13.5]	30500 [8.9]	15500 [4.5]	14.50	12.00	1250 [589.9]	8389324
		RCF4821STAM	45500 [13.3]	31400 [9.2]	13600 [4.0]	14.00	11.70	1325 [625.3]	7501192
RA1448AJ1	R801TA075317ZSA	RCF4821STAM	45500 [13.3]	31400 [9.2]	13600 [4.0]	14.00	11.70	1325 [625.3]	7501192
RA1448AJ1	R801TA075317ZSB	RCF4821MTAM	46000 [13.5]	30500 [8.9]	15500 [4.5]	14.50	12.00	1250 [589.9]	8389325
RA1448AJ1	R801TA075317ZSB	RCF4821MTAM	46000 [13.5]	30500 [8.9]	15500 [4.5]	14.50	12.00	1250 [589.9]	8389325
		RCF4821STAM	45000 [13.2]	31400 [9.2]	13600 [4.0]	14.50	12.00	1225 [578.1]	8389380
RA1448AJ1	R801TA075317ZSB	RCF4821STAM	45000 [13.2]	31400 [9.2]	13600 [4.0]	14.50	12.00	1225 [578.1]	8389380
RA1448AJ1	R801TA075317ZXA	RCF4821MTAM	46000 [13.5]	30500 [8.9]	15500 [4.5]	14.50	12.00	1250 [589.9]	8389326
RA1448AJ1	R801TA075317ZXA	RCF4821MTAM	46000 [13.5]	30500 [8.9]	15500 [4.5]	14.50	12.00	1250 [589.9]	8389326
		RCF4821STAM	45500 [13.3]	31400 [9.2]	13600 [4.0]	14.00	11.70	1325 [625.3]	8053655
RA1448AJ1	R801TA075317ZXA	RCF4821STAM	45500 [13.3]	31400 [9.2]	13600 [4.0]	14.00	11.70	1325 [625.3]	8053655
RA1448AJ1	R801TA075317ZXB	RCF4821MTAM	46000 [13.5]	30500 [8.9]	15500 [4.5]	14.50	12.00	1250 [589.9]	8389327
RA1448AJ1	R801TA075317ZXB	RCF4821MTAM	46000 [13.5]	30500 [8.9]	15500 [4.5]	14.50	12.00	1250 [589.9]	8389327
		RCF4821STAM	45000 [13.2]	31400 [9.2]	13600 [4.0]	14.50	12.00	1225 [578.1]	8389381
RA1448AJ1	R801TA075317ZXB	RCF4821STAM	45000 [13.2]	31400 [9.2]	13600 [4.0]	14.50	12.00	1225 [578.1]	8389381
RA1448AJ1	R801TA075417MSA	RCF4821MTAM	47000 [13.8]	31300 [9.2]	15200 [4.5]	14.50	12.00	1450 [684.3]	8083629
RA1448AJ1	R801TA075417MSA	RCF4821MTAM	47000 [13.8]	31300 [9.2]	15200 [4.5]	14.50	12.00	1450 [684.3]	8083629
		RCF4821STAM	45500 [13.3]	33300 [9.8]	12700 [3.7]	14.50	12.00	1275 [601.7]	7501193
RA1448AJ1	R801TA075417MSA	RCF4821STAM	45500 [13.3]	33300 [9.8]	12700 [3.7]	14.50	12.00	1275 [601.7]	7501193
RA1448AJ1	R801TA075417MXA	RCF4821MTAM	46500 [13.6]	31300 [9.2]	15200 [4.5]	15.00	12.50	1300 [613.5]	8389328
RA1448AJ1	R801TA075417MXA	RCF4821MTAM	46500 [13.6]	31300 [9.2]	15200 [4.5]	15.00	12.50	1300 [613.5]	8389328
		RCF4821STAM	45500 [13.3]	33300 [9.8]	12700 [3.7]	14.50	12.00	1275 [601.7]	8053657
RA1448AJ1	R801TA075417MXA	RCF4821STAM	45500 [13.3]	33300 [9.8]	12700 [3.7]	14.50	12.00	1275 [601.7]	8053657
RA1448AJ1	R801TA075421MSA	RCF4821MTAM	47000 [13.8]	32500 [9.5]	14500 [4.2]	14.50	12.00	1425 [672.5]	8083630
RA1448AJ1	R801TA075421MSA	RCF4821MTAM	47000 [13.8]	32500 [9.5]	14500 [4.2]	14.50	12.00	1425 [672.5]	8083630
		RCF4821STAM	46000 [13.5]	33400 [9.8]	12600 [3.7]	14.50	12.00	1400 [660.7]	8053658
RA1448AJ1	R801TA075421MSA	RCF4821STAM	46000 [13.5]	33400 [9.8]	12600 [3.7]	14.50	12.00	1400 [660.7]	8053658
RA1448AJ1	R801TA075421MSA	RCF4824HTAM	48000 [14.1]	33600 [9.8]	14400 [4.2]	15.00	12.50	1425 [672.5]	8053670
		RCF4824STAM	46000 [13.5]	33400 [9.8]	12600 [3.7]	14.50	12.00	1400 [660.7]	8053687
RA1448AJ1	R801TA075421MSA	RCF4824HTAM	48000 [14.1]	33600 [9.8]	14400 [4.2]	15.00	12.50	1425 [672.5]	8053670
RA1448AJ1	R801TA075421MSA	RCF4824STAM	46000 [13.5]	33400 [9.8]	12600 [3.7]	14.50	12.00	1400 [660.7]	8053687
RA1448AJ1	R801TA075421MXA	RCF4821MTAM	47000 [13.8]	32500 [9.5]	14500 [4.2]	14.50	12.00	1425 [672.5]	8389329
RA1448AJ1	R801TA075421MXA	RCF4821MTAM	47000 [13.8]	32500 [9.5]	14500 [4.2]	14.50	12.00	1425 [672.5]	8389329
		RCF4821STAM	46000 [13.5]	33400 [9.8]	12600 [3.7]	14.50	12.00	1400 [660.7]	8389382
RA1448AJ1	R801TA075421MXA	RCF4821STAM	46000 [13.5]	33400 [9.8]	12600 [3.7]	14.50	12.00	1400 [660.7]	8389382
RA1448AJ1	R801TA075421MXA	RCF4824HTAM	48000 [14.1]	33600 [9.8]	14400 [4.2]	15.10	12.50	1425 [672.5]	8389416
		RCF4824STAM	46000 [13.5]	33400 [9.8]	12600 [3.7]	14.50	12.00	1400 [660.7]	8389442
RA1448AJ1	R801TA075421MXA	RCF4824HTAM	48000 [14.1]	33600 [9.8]	14400 [4.2]	15.10	12.50	1425 [672.5]	8389416
RA1448AJ1	R801TA075421MXA	RCF4824STAM	46000 [13.5]	33400 [9.8]	12600 [3.7]	14.50	12.00	1400 [660.7]	8389442
RA1448AJ1	R801TA075521ZSA	RCF4821MTAM	47000 [13.8]	32500 [9.5]	14500 [4.2]	14.50	12.00	1425 [672.5]	8389330

[ ] Designates Metric Conversions



## Performance Data @ AHRI Standard Conditions – Cooling (con't.)

R801T: Achiever Plus Single-Stage X-13 80% Furnace Ratings									
Outdoor Unit	Furnace	Indoor Coil	Total Capacity BTU/H [kW]	Net Sensible BTU/H [kW]	Net Latent BTU/H [kW]	SEER	EER	Indoor CFM [L/s]	AHRI#
RA1448AJ1	R801TA075521ZSA	RCF4821MTAM	47000 [13.8]	32500 [9.5]	14500 [4.2]	14.50	12.00	1425 [672.5]	8389330
		RCF4821STAM	45000 [13.2]	33400 [9.8]	12600 [3.7]	14.50	12.00	1200 [566.3]	7501194
RA1448AJ1	R801TA075521ZSA	RCF4821STAM	45000 [13.2]	33400 [9.8]	12600 [3.7]	14.50	12.00	1200 [566.3]	7501194
		RCF4824HTAM	48000 [14.1]	33800 [9.9]	14200 [4.2]	15.00	12.50	1450 [684.3]	7501197
RA1448AJ1	R801TA075521ZSA	RCF4824HTAM	48000 [14.1]	33800 [9.9]	14200 [4.2]	15.00	12.50	1450 [684.3]	7501197
		RCF4824STAM	45000 [13.2]	33400 [9.8]	12600 [3.7]	14.50	12.00	1200 [566.3]	7501202
RA1448AJ1	R801TA075521ZSA	RCF4824STAM	45000 [13.2]	33400 [9.8]	12600 [3.7]	14.50	12.00	1200 [566.3]	7501202
RA1448AJ1	R801TA075521ZSB	RCF4821MTAM	47000 [13.8]	32500 [9.5]	14500 [4.2]	14.50	12.00	1425 [672.5]	8389331
RA1448AJ1	R801TA075521ZSB	RCF4821MTAM	47000 [13.8]	32500 [9.5]	14500 [4.2]	14.50	12.00	1425 [672.5]	8389331
		RCF4821STAM	46000 [13.5]	33400 [9.8]	12600 [3.7]	14.50	12.00	1400 [660.7]	8389383
RA1448AJ1	R801TA075521ZSB	RCF4821STAM	46000 [13.5]	33400 [9.8]	12600 [3.7]	14.50	12.00	1400 [660.7]	8389383
		RCF4824HTAM	48000 [14.1]	33800 [9.9]	14200 [4.2]	15.10	12.50	1450 [684.3]	8389417
RA1448AJ1	R801TA075521ZSB	RCF4824HTAM	48000 [14.1]	33800 [9.9]	14200 [4.2]	15.10	12.50	1450 [684.3]	8389417
		RCF4824STAM	46000 [13.5]	33400 [9.8]	12600 [3.7]	14.50	12.00	1400 [660.7]	8389443
RA1448AJ1	R801TA075521ZSB	RCF4824STAM	46000 [13.5]	33400 [9.8]	12600 [3.7]	14.50	12.00	1400 [660.7]	8389443
RA1448AJ1	R801TA075521ZXA	RCF4821MTAM	47000 [13.8]	32500 [9.5]	14500 [4.2]	14.50	12.00	1425 [672.5]	8389332
RA1448AJ1	R801TA075521ZXA	RCF4821MTAM	47000 [13.8]	32500 [9.5]	14500 [4.2]	14.50	12.00	1425 [672.5]	8389332
		RCF4821STAM	45000 [13.2]	33400 [9.8]	12600 [3.7]	14.50	12.00	1200 [566.3]	8053660
RA1448AJ1	R801TA075521ZXA	RCF4821STAM	45000 [13.2]	33400 [9.8]	12600 [3.7]	14.50	12.00	1200 [566.3]	8053660
		RCF4824HTAM	48000 [14.1]	33800 [9.9]	14200 [4.2]	15.00	12.50	1450 [684.3]	8053672
RA1448AJ1	R801TA075521ZXA	RCF4824HTAM	48000 [14.1]	33800 [9.9]	14200 [4.2]	15.00	12.50	1450 [684.3]	8053672
		RCF4824STAM	45000 [13.2]	33400 [9.8]	12600 [3.7]	14.50	12.00	1200 [566.3]	8053688
RA1448AJ1	R801TA075521ZXA	RCF4824STAM	45000 [13.2]	33400 [9.8]	12600 [3.7]	14.50	12.00	1200 [566.3]	8053688
RA1448AJ1	R801TA075521ZXB	RCF4821MTAM	47000 [13.8]	32500 [9.5]	14500 [4.2]	14.50	12.00	1425 [672.5]	8389333
RA1448AJ1	R801TA075521ZXB	RCF4821MTAM	47000 [13.8]	32500 [9.5]	14500 [4.2]	14.50	12.00	1425 [672.5]	8389333
		RCF4821STAM	46000 [13.5]	33400 [9.8]	12600 [3.7]	14.50	12.00	1400 [660.7]	8389384
RA1448AJ1	R801TA075521ZXB	RCF4821STAM	46000 [13.5]	33400 [9.8]	12600 [3.7]	14.50	12.00	1400 [660.7]	8389384
		RCF4824HTAM	48000 [14.1]	33800 [9.9]	14200 [4.2]	15.10	12.50	1450 [684.3]	8389418
RA1448AJ1	R801TA075521ZXB	RCF4824HTAM	48000 [14.1]	33800 [9.9]	14200 [4.2]	15.10	12.50	1450 [684.3]	8389418
		RCF4824STAM	46000 [13.5]	33400 [9.8]	12600 [3.7]	14.50	12.00	1400 [660.7]	8389444
RA1448AJ1	R801TA075521ZXB	RCF4824STAM	46000 [13.5]	33400 [9.8]	12600 [3.7]	14.50	12.00	1400 [660.7]	8389444
RA1448AJ1	R801TA100521MSA	RCF4821MTAM	47000 [13.8]	32400 [9.5]	14600 [4.3]	15.10	12.50	1400 [660.7]	8083631
RA1448AJ1	R801TA100521MSA	RCF4821MTAM	47000 [13.8]	32400 [9.5]	14600 [4.3]	15.10	12.50	1400 [660.7]	8083631
		RCF4821STAM	46000 [13.5]	32800 [9.6]	13200 [3.9]	14.50	12.00	1375 [648.9]	7501195
RA1448AJ1	R801TA100521MSA	RCF4821STAM	46000 [13.5]	32800 [9.6]	13200 [3.9]	14.50	12.00	1375 [648.9]	7501195
		RCF4824HTAM	48000 [14.1]	33600 [9.8]	14400 [4.2]	15.10	12.50	1425 [672.5]	7501198
RA1448AJ1	R801TA100521MSA	RCF4824HTAM	48000 [14.1]	33600 [9.8]	14400 [4.2]	15.10	12.50	1425 [672.5]	7501198
		RCF4824STAM	46000 [13.5]	32800 [9.6]	13200 [3.9]	14.50	12.00	1375 [648.9]	7501203
RA1448AJ1	R801TA100521MSA	RCF4824STAM	46000 [13.5]	32800 [9.6]	13200 [3.9]	14.50	12.00	1375 [648.9]	7501203
RA1448AJ1	R801TA100521MXA	RCF4821MTAM	47000 [13.8]	32400 [9.5]	14600 [4.3]	15.10	12.50	1400 [660.7]	8389334
RA1448AJ1	R801TA100521MXA	RCF4821MTAM	47000 [13.8]	32400 [9.5]	14600 [4.3]	15.10	12.50	1400 [660.7]	8389334
		RCF4821STAM	46000 [13.5]	32800 [9.6]	13200 [3.9]	14.50	12.00	1375 [648.9]	8053661
RA1448AJ1	R801TA100521MXA	RCF4821STAM	46000 [13.5]	32800 [9.6]	13200 [3.9]	14.50	12.00	1375 [648.9]	8053661
		RCF4824HTAM	48000 [14.1]	33600 [9.8]	14400 [4.2]	15.10	12.50	1425 [672.5]	8053673
RA1448AJ1	R801TA100521MXA	RCF4824HTAM	48000 [14.1]	33600 [9.8]	14400 [4.2]	15.10	12.50	1425 [672.5]	8053673
		RCF4824STAM	46000 [13.5]	32800 [9.6]	13200 [3.9]	14.50	12.00	1375 [648.9]	8053690
RA1448AJ1	R801TA100521MXA	RCF4824STAM	46000 [13.5]	32800 [9.6]	13200 [3.9]	14.50	12.00	1375 [648.9]	8053690
RA1448AJ1	R801TA100521ZSA	RCF4821MTAM	47000 [13.8]	32500 [9.5]	14500 [4.2]	14.50	12.00	1425 [672.5]	8389335

[ ] Designates Metric Conversions

## Performance Data @ AHRI Standard Conditions – Cooling (con't.)

R801T: Achiever Plus Single-Stage X-13 80% Furnace Ratings									
Outdoor Unit	Furnace	Indoor Coil	Total Capacity BTU/H [kW]	Net Sensible BTU/H [kW]	Net Latent BTU/H [kW]	SEER	EER	Indoor CFM [L/s]	AHRI#
RA1448AJ1	R801TA100521ZSA	RCF4821MTAM	47000 [13.8]	32500 [9.5]	14500 [4.2]	14.50	12.00	1425 [672.5]	8389335
		RCF4821STAM	46000 [13.5]	33400 [9.8]	12600 [3.7]	14.50	12.00	1400 [660.7]	7501196
RA1448AJ1	R801TA100521ZSA	RCF4821STAM	46000 [13.5]	33400 [9.8]	12600 [3.7]	14.50	12.00	1400 [660.7]	7501196
		RCF4824HTAM	48000 [14.1]	33600 [9.8]	14400 [4.2]	15.00	12.50	1425 [672.5]	7501199
RA1448AJ1	R801TA100521ZSA	RCF4824HTAM	48000 [14.1]	33600 [9.8]	14400 [4.2]	15.00	12.50	1425 [672.5]	7501199
		RCF4824STAM	46000 [13.5]	33400 [9.8]	12600 [3.7]	14.50	12.00	1400 [660.7]	7501204
RA1448AJ1	R801TA100521ZSA	RCF4824STAM	46000 [13.5]	33400 [9.8]	12600 [3.7]	14.50	12.00	1400 [660.7]	7501204
RA1448AJ1	R801TA100521ZSB	RCF4821MTAM	47000 [13.8]	32500 [9.5]	14500 [4.2]	14.50	12.00	1425 [672.5]	8389336
RA1448AJ1	R801TA100521ZSB	RCF4821MTAM	47000 [13.8]	32500 [9.5]	14500 [4.2]	14.50	12.00	1425 [672.5]	8389336
		RCF4821STAM	46000 [13.5]	33400 [9.8]	12600 [3.7]	14.50	12.00	1400 [660.7]	8389385
RA1448AJ1	R801TA100521ZSB	RCF4821STAM	46000 [13.5]	33400 [9.8]	12600 [3.7]	14.50	12.00	1400 [660.7]	8389385
		RCF4824HTAM	48000 [14.1]	33600 [9.8]	14400 [4.2]	15.10	12.50	1425 [672.5]	8389419
RA1448AJ1	R801TA100521ZSB	RCF4824HTAM	48000 [14.1]	33600 [9.8]	14400 [4.2]	15.10	12.50	1425 [672.5]	8389419
		RCF4824STAM	46000 [13.5]	33400 [9.8]	12600 [3.7]	14.50	12.00	1400 [660.7]	8389445
RA1448AJ1	R801TA100521ZSB	RCF4824STAM	46000 [13.5]	33400 [9.8]	12600 [3.7]	14.50	12.00	1400 [660.7]	8389445
RA1448AJ1	R801TA100521ZXA	RCF4821MTAM	47000 [13.8]	32500 [9.5]	14500 [4.2]	14.50	12.00	1425 [672.5]	8389337
RA1448AJ1	R801TA100521ZXA	RCF4821MTAM	47000 [13.8]	32500 [9.5]	14500 [4.2]	14.50	12.00	1425 [672.5]	8389337
		RCF4821STAM	46000 [13.5]	33400 [9.8]	12600 [3.7]	14.50	12.00	1400 [660.7]	8053662
RA1448AJ1	R801TA100521ZXA	RCF4821STAM	46000 [13.5]	33400 [9.8]	12600 [3.7]	14.50	12.00	1400 [660.7]	8053662
		RCF4824HTAM	48000 [14.1]	33600 [9.8]	14400 [4.2]	15.00	12.50	1425 [672.5]	8053675
RA1448AJ1	R801TA100521ZXA	RCF4824HTAM	48000 [14.1]	33600 [9.8]	14400 [4.2]	15.00	12.50	1425 [672.5]	8053675
		RCF4824STAM	46000 [13.5]	33400 [9.8]	12600 [3.7]	14.50	12.00	1400 [660.7]	8053691
RA1448AJ1	R801TA100521ZXA	RCF4824STAM	46000 [13.5]	33400 [9.8]	12600 [3.7]	14.50	12.00	1400 [660.7]	8053691
RA1448AJ1	R801TA100521ZXB	RCF4821MTAM	47000 [13.8]	32500 [9.5]	14500 [4.2]	14.50	12.00	1425 [672.5]	8389338
RA1448AJ1	R801TA100521ZXB	RCF4821MTAM	47000 [13.8]	32500 [9.5]	14500 [4.2]	14.50	12.00	1425 [672.5]	8389338
		RCF4821STAM	46000 [13.5]	33400 [9.8]	12600 [3.7]	14.50	12.00	1400 [660.7]	8389386
RA1448AJ1	R801TA100521ZXB	RCF4821STAM	46000 [13.5]	33400 [9.8]	12600 [3.7]	14.50	12.00	1400 [660.7]	8389386
		RCF4824HTAM	48000 [14.1]	33600 [9.8]	14400 [4.2]	15.10	12.50	1425 [672.5]	8389420
RA1448AJ1	R801TA100521ZXB	RCF4824HTAM	48000 [14.1]	33600 [9.8]	14400 [4.2]	15.10	12.50	1425 [672.5]	8389420
		RCF4824STAM	46000 [13.5]	33400 [9.8]	12600 [3.7]	14.50	12.00	1400 [660.7]	8389446
RA1448AJ1	R801TA100521ZXB	RCF4824STAM	46000 [13.5]	33400 [9.8]	12600 [3.7]	14.50	12.00	1400 [660.7]	8389446
RA1448AJ1	R801TA125524MSA	RCF4824HTAM	47500 [13.9]	32800 [9.6]	14700 [4.3]	15.50	13.00	1375 [648.9]	7501200
RA1448AJ1	R801TA125524MSA	RCF4824HTAM	47500 [13.9]	32800 [9.6]	14700 [4.3]	15.50	13.00	1375 [648.9]	7501200
		RCF4824STAM	47000 [13.8]	33000 [9.7]	13000 [3.8]	14.50	12.00	1600 [755.1]	7501205
RA1448AJ1	R801TA125524MSA	RCF4824STAM	47000 [13.8]	33000 [9.7]	13000 [3.8]	14.50	12.00	1600 [755.1]	7501205
RA1448AJ1	R801TA125524MXA	RCF4824HTAM	47500 [13.9]	32800 [9.6]	14700 [4.3]	15.50	13.00	1375 [648.9]	8053676
RA1448AJ1	R801TA125524MXA	RCF4824HTAM	47500 [13.9]	32800 [9.6]	14700 [4.3]	15.50	13.00	1375 [648.9]	8053676
		RCF4824STAM	47000 [13.8]	33000 [9.7]	13000 [3.8]	14.50	12.00	1600 [755.1]	8053692
RA1448AJ1	R801TA125524MXA	RCF4824STAM	47000 [13.8]	33000 [9.7]	13000 [3.8]	14.50	12.00	1600 [755.1]	8053692
RA1448AJ1	R801TA125524ZSA	RCF4824HTAM	47500 [13.9]	32800 [9.6]	14700 [4.3]	15.10	12.50	1375 [648.9]	7501201
RA1448AJ1	R801TA125524ZSA	RCF4824HTAM	47500 [13.9]	32800 [9.6]	14700 [4.3]	15.10	12.50	1375 [648.9]	7501201
		RCF4824STAM	46000 [13.5]	33000 [9.7]	13000 [3.8]	14.50	12.00	1325 [625.3]	7501206
RA1448AJ1	R801TA125524ZSA	RCF4824STAM	46000 [13.5]	33000 [9.7]	13000 [3.8]	14.50	12.00	1325 [625.3]	7501206
RA1448AJ1	R801TA125524ZSB	RCF4824HTAM	47500 [13.9]	32800 [9.6]	14700 [4.3]	15.10	12.50	1375 [648.9]	8389421
RA1448AJ1	R801TA125524ZSB	RCF4824HTAM	47500 [13.9]	32800 [9.6]	14700 [4.3]	15.10	12.50	1375 [648.9]	8389421
		RCF4824STAM	46000 [13.5]	33000 [9.7]	13000 [3.8]	14.50	12.00	1325 [625.3]	8389447
RA1448AJ1	R801TA125524ZSB	RCF4824STAM	46000 [13.5]	33000 [9.7]	13000 [3.8]	14.50	12.00	1325 [625.3]	8389447
RA1448AJ1	R801TA125524ZXA	RCF4824HTAM	47500 [13.9]	32800 [9.6]	14700 [4.3]	15.10	12.50	1375 [648.9]	8053677

[ ] Designates Metric Conversions

## Performance Data @ AHRI Standard Conditions – Cooling (con't.)

R801T: Achiever Plus Single-Stage X-13 80% Furnace Ratings									
Outdoor Unit	Furnace	Indoor Coil	Total Capacity BTU/H [kW]	Net Sensible BTU/H [kW]	Net Latent BTU/H [kW]	SEER	EER	Indoor CFM [L/s]	AHRI#
RA1448AJ1	R801TA125524ZXA	RCF4824HTAM	47500 [13.9]	32800 [9.6]	14700 [4.3]	15.10	12.50	1375 [648.9]	8053677
		RCF4824STAM	46000 [13.5]	33000 [9.7]	13000 [3.8]	14.50	12.00	1325 [625.3]	8053693
RA1448AJ1	R801TA125524ZXA	RCF4824STAM	46000 [13.5]	33000 [9.7]	13000 [3.8]	14.50	12.00	1325 [625.3]	8053693
RA1448AJ1	R801TA125524ZXB	RCF4824HTAM	47500 [13.9]	32800 [9.6]	14700 [4.3]	15.10	12.50	1375 [648.9]	8389422
RA1448AJ1	R801TA125524ZXB	RCF4824HTAM	47500 [13.9]	32800 [9.6]	14700 [4.3]	15.10	12.50	1375 [648.9]	8389422
		RCF4824STAM	46000 [13.5]	33000 [9.7]	13000 [3.8]	14.50	12.00	1325 [625.3]	8389448
RA1448AJ1	R801TA125524ZXB	RCF4824STAM	46000 [13.5]	33000 [9.7]	13000 [3.8]	14.50	12.00	1325 [625.3]	8389448
RA1448AJ1	R801TB075317ZSB	RCF4821MTAM	46000 [13.5]	30500 [8.9]	15500 [4.5]	14.50	12.00	1250 [589.9]	8389339
RA1448AJ1	R801TB075317ZSB	RCF4821MTAM	46000 [13.5]	30500 [8.9]	15500 [4.5]	14.50	12.00	1250 [589.9]	8389339
		RCF4821STAM	45000 [13.2]	31400 [9.2]	13600 [4.0]	14.50	12.00	1225 [578.1]	8389387
RA1448AJ1	R801TB075317ZSB	RCF4821STAM	45000 [13.2]	31400 [9.2]	13600 [4.0]	14.50	12.00	1225 [578.1]	8389387
RA1448AJ1	R801TB075317ZXB	RCF4821MTAM	46000 [13.5]	30500 [8.9]	15500 [4.5]	14.50	12.00	1250 [589.9]	8389340
RA1448AJ1	R801TB075317ZXB	RCF4821MTAM	46000 [13.5]	30500 [8.9]	15500 [4.5]	14.50	12.00	1250 [589.9]	8389340
		RCF4821STAM	45000 [13.2]	31400 [9.2]	13600 [4.0]	14.50	12.00	1225 [578.1]	8389388
RA1448AJ1	R801TB075317ZXB	RCF4821STAM	45000 [13.2]	31400 [9.2]	13600 [4.0]	14.50	12.00	1225 [578.1]	8389388
RA1448AJ1	R801TB075521ZSB	RCF4821MTAM	47000 [13.8]	32500 [9.5]	14500 [4.2]	14.50	12.00	1425 [672.5]	8389341
RA1448AJ1	R801TB075521ZSB	RCF4821MTAM	47000 [13.8]	32500 [9.5]	14500 [4.2]	14.50	12.00	1425 [672.5]	8389341
		RCF4821STAM	46000 [13.5]	33400 [9.8]	12600 [3.7]	14.50	12.00	1400 [660.7]	8389389
RA1448AJ1	R801TB075521ZSB	RCF4821STAM	46000 [13.5]	33400 [9.8]	12600 [3.7]	14.50	12.00	1400 [660.7]	8389389
		RCF4824HTAM	48000 [14.1]	33800 [9.9]	14200 [4.2]	15.10	12.50	1450 [684.3]	8389423
RA1448AJ1	R801TB075521ZSB	RCF4824HTAM	48000 [14.1]	33800 [9.9]	14200 [4.2]	15.10	12.50	1450 [684.3]	8389423
		RCF4824STAM	46000 [13.5]	33400 [9.8]	12600 [3.7]	14.50	12.00	1400 [660.7]	8389449
RA1448AJ1	R801TB075521ZSB	RCF4824STAM	46000 [13.5]	33400 [9.8]	12600 [3.7]	14.50	12.00	1400 [660.7]	8389449
RA1448AJ1	R801TB075521ZXB	RCF4821MTAM	47000 [13.8]	32500 [9.5]	14500 [4.2]	14.50	12.00	1425 [672.5]	8389342
RA1448AJ1	R801TB075521ZXB	RCF4821MTAM	47000 [13.8]	32500 [9.5]	14500 [4.2]	14.50	12.00	1425 [672.5]	8389342
		RCF4821STAM	46000 [13.5]	33400 [9.8]	12600 [3.7]	14.50	12.00	1400 [660.7]	8389390
RA1448AJ1	R801TB075521ZXB	RCF4821STAM	46000 [13.5]	33400 [9.8]	12600 [3.7]	14.50	12.00	1400 [660.7]	8389390
		RCF4824HTAM	48000 [14.1]	33800 [9.9]	14200 [4.2]	15.10	12.50	1450 [684.3]	8389424
RA1448AJ1	R801TB075521ZXB	RCF4824HTAM	48000 [14.1]	33800 [9.9]	14200 [4.2]	15.10	12.50	1450 [684.3]	8389424
		RCF4824STAM	46000 [13.5]	33400 [9.8]	12600 [3.7]	14.50	12.00	1400 [660.7]	8389450
RA1448AJ1	R801TB075521ZXB	RCF4824STAM	46000 [13.5]	33400 [9.8]	12600 [3.7]	14.50	12.00	1400 [660.7]	8389450
RA1448AJ1	R801TB100521ZSB	RCF4821MTAM	47000 [13.8]	32500 [9.5]	14500 [4.2]	14.50	12.00	1425 [672.5]	8389343
RA1448AJ1	R801TB100521ZSB	RCF4821MTAM	47000 [13.8]	32500 [9.5]	14500 [4.2]	14.50	12.00	1425 [672.5]	8389343
		RCF4821STAM	46000 [13.5]	33400 [9.8]	12600 [3.7]	14.50	12.00	1400 [660.7]	8389391
RA1448AJ1	R801TB100521ZSB	RCF4821STAM	46000 [13.5]	33400 [9.8]	12600 [3.7]	14.50	12.00	1400 [660.7]	8389391
		RCF4824HTAM	48000 [14.1]	33600 [9.8]	14400 [4.2]	15.10	12.50	1425 [672.5]	8389425
RA1448AJ1	R801TB100521ZSB	RCF4824HTAM	48000 [14.1]	33600 [9.8]	14400 [4.2]	15.10	12.50	1425 [672.5]	8389425
		RCF4824STAM	46000 [13.5]	33400 [9.8]	12600 [3.7]	14.50	12.00	1400 [660.7]	8389451
RA1448AJ1	R801TB100521ZSB	RCF4824STAM	46000 [13.5]	33400 [9.8]	12600 [3.7]	14.50	12.00	1400 [660.7]	8389451
RA1448AJ1	R801TB100521ZXB	RCF4821MTAM	47000 [13.8]	32500 [9.5]	14500 [4.2]	14.50	12.00	1425 [672.5]	8389344
RA1448AJ1	R801TB100521ZXB	RCF4821MTAM	47000 [13.8]	32500 [9.5]	14500 [4.2]	14.50	12.00	1425 [672.5]	8389344
		RCF4821STAM	46000 [13.5]	33400 [9.8]	12600 [3.7]	14.50	12.00	1400 [660.7]	8389392
RA1448AJ1	R801TB100521ZXB	RCF4821STAM	46000 [13.5]	33400 [9.8]	12600 [3.7]	14.50	12.00	1400 [660.7]	8389392
		RCF4824HTAM	48000 [14.1]	33600 [9.8]	14400 [4.2]	15.10	12.50	1425 [672.5]	8389426
RA1448AJ1	R801TB100521ZXB	RCF4824HTAM	48000 [14.1]	33600 [9.8]	14400 [4.2]	15.10	12.50	1425 [672.5]	8389426
		RCF4824STAM	46000 [13.5]	33400 [9.8]	12600 [3.7]	14.50	12.00	1400 [660.7]	8389452
RA1448AJ1	R801TB100521ZXB	RCF4824STAM	46000 [13.5]	33400 [9.8]	12600 [3.7]	14.50	12.00	1400 [660.7]	8389452
RA1448AJ1	R801TB125524ZSB	RCF4824HTAM	47500 [13.9]	32800 [9.6]	14700 [4.3]	15.10	12.50	1375 [648.9]	8389427

[ ] Designates Metric Conversions

## Performance Data @ AHRI Standard Conditions – Cooling (con't.)

R801T: Achiever Plus Single-Stage X-13 80% Furnace Ratings									
Outdoor Unit	Furnace	Indoor Coil	Total Capacity BTU/H [kW]	Net Sensible BTU/H [kW]	Net Latent BTU/H [kW]	SEER	EER	Indoor CFM [L/s]	AHRI#
RA1448AJ1	R801TB125524ZSB	RCF4824HTAM	47500 [13.9]	32800 [9.6]	14700 [4.3]	15.10	12.50	1375 [648.9]	8389427
		RCF4824STAM	46000 [13.5]	33000 [9.7]	13000 [3.8]	14.50	12.00	1325 [625.3]	8389453
RA1448AJ1	R801TB125524ZSB	RCF4824STAM	46000 [13.5]	33000 [9.7]	13000 [3.8]	14.50	12.00	1325 [625.3]	8389453
RA1448AJ1	R801TB125524ZXB	RCF4824HTAM	47500 [13.9]	32800 [9.6]	14700 [4.3]	15.10	12.50	1375 [648.9]	8389428
RA1448AJ1	R801TB125524ZXB	RCF4824HTAM	47500 [13.9]	32800 [9.6]	14700 [4.3]	15.10	12.50	1375 [648.9]	8389428
		RCF4824STAM	46000 [13.5]	33000 [9.7]	13000 [3.8]	14.50	12.00	1325 [625.3]	8389454
RA1448AJ1	R801TB125524ZXB	RCF4824STAM	46000 [13.5]	33000 [9.7]	13000 [3.8]	14.50	12.00	1325 [625.3]	8389454
RA1460AJ1	R801TA075421MSA	RCF6021STAM	54500 [16.0]	35400 [10.4]	19100 [5.6]	14.00	11.70	1425 [672.5]	8083683
RA1460AJ1	R801TA075421MSA	RCF6021STAM	54500 [16.0]	35400 [10.4]	19100 [5.6]	14.00	11.70	1425 [672.5]	8083683
		RCF6024HTAM	57500 [16.9]	41000 [12.0]	16500 [4.8]	14.00	11.70	1650 [778.7]	8053881
RA1460AJ1	R801TA075421MSA	RCF6024HTAM	57500 [16.9]	41000 [12.0]	16500 [4.8]	14.00	11.70	1650 [778.7]	8053881
		RCF6024STAM	57500 [16.9]	41000 [12.0]	16500 [4.8]	14.00	11.70	1650 [778.7]	8053897
RA1460AJ1	R801TA075421MSA	RCF6024STAM	57500 [16.9]	41000 [12.0]	16500 [4.8]	14.00	11.70	1650 [778.7]	8053897
RA1460AJ1	R801TA075421MXA	RCF6021STAM	54500 [16.0]	35400 [10.4]	19100 [5.6]	14.00	11.70	1425 [672.5]	8389850
RA1460AJ1	R801TA075421MXA	RCF6021STAM	54500 [16.0]	35400 [10.4]	19100 [5.6]	14.00	11.70	1425 [672.5]	8389850
		RCF6024HTAM	57500 [16.9]	41000 [12.0]	16500 [4.8]	14.00	11.70	1650 [778.7]	8389853
RA1460AJ1	R801TA075421MXA	RCF6024HTAM	57500 [16.9]	41000 [12.0]	16500 [4.8]	14.00	11.70	1650 [778.7]	8389853
		RCF6024STAM	57500 [16.9]	41000 [12.0]	16500 [4.8]	14.00	11.70	1650 [778.7]	8389880
RA1460AJ1	R801TA075421MXA	RCF6024STAM	57500 [16.9]	41000 [12.0]	16500 [4.8]	14.00	11.70	1650 [778.7]	8389880
RA1460AJ1	R801TA075521ZSA	RCF6024HTAM	56500 [16.6]	38400 [11.3]	18100 [5.3]	14.00	11.70	1450 [684.3]	7501247
RA1460AJ1	R801TA075521ZSA	RCF6024HTAM	56500 [16.6]	38400 [11.3]	18100 [5.3]	14.00	11.70	1450 [684.3]	7501247
		RCF6024STAM	56500 [16.6]	38400 [11.3]	18100 [5.3]	14.00	11.70	1450 [684.3]	7501252
RA1460AJ1	R801TA075521ZSA	RCF6024STAM	56500 [16.6]	38400 [11.3]	18100 [5.3]	14.00	11.70	1450 [684.3]	7501252
RA1460AJ1	R801TA075521ZSB	RCF6024HTAM	56500 [16.6]	38400 [11.3]	18100 [5.3]	14.00	11.70	1450 [684.3]	8389854
RA1460AJ1	R801TA075521ZSB	RCF6024HTAM	56500 [16.6]	38400 [11.3]	18100 [5.3]	14.00	11.70	1450 [684.3]	8389854
		RCF6024STAM	56500 [16.6]	38400 [11.3]	18100 [5.3]	14.00	11.70	1450 [684.3]	8389881
RA1460AJ1	R801TA075521ZSB	RCF6024STAM	56500 [16.6]	38400 [11.3]	18100 [5.3]	14.00	11.70	1450 [684.3]	8389881
RA1460AJ1	R801TA075521ZXA	RCF6024HTAM	56500 [16.6]	38400 [11.3]	18100 [5.3]	14.00	11.70	1450 [684.3]	8053883
RA1460AJ1	R801TA075521ZXA	RCF6024HTAM	56500 [16.6]	38400 [11.3]	18100 [5.3]	14.00	11.70	1450 [684.3]	8053883
		RCF6024STAM	56500 [16.6]	38400 [11.3]	18100 [5.3]	14.00	11.70	1450 [684.3]	8053898
RA1460AJ1	R801TA075521ZXA	RCF6024STAM	56500 [16.6]	38400 [11.3]	18100 [5.3]	14.00	11.70	1450 [684.3]	8053898
RA1460AJ1	R801TA075521ZXB	RCF6024HTAM	56500 [16.6]	38400 [11.3]	18100 [5.3]	14.00	11.70	1450 [684.3]	8389855
RA1460AJ1	R801TA075521ZXB	RCF6024HTAM	56500 [16.6]	38400 [11.3]	18100 [5.3]	14.00	11.70	1450 [684.3]	8389855
		RCF6024STAM	56500 [16.6]	38400 [11.3]	18100 [5.3]	14.00	11.70	1450 [684.3]	8389882
RA1460AJ1	R801TA075521ZXB	RCF6024STAM	56500 [16.6]	38400 [11.3]	18100 [5.3]	14.00	11.70	1450 [684.3]	8389882
RA1460AJ1	R801TA100521MSA	RCF6021STAM	56000 [16.4]	38700 [11.3]	17300 [5.1]	14.00	11.70	1675 [790.5]	8083684
RA1460AJ1	R801TA100521MSA	RCF6021STAM	56000 [16.4]	38700 [11.3]	17300 [5.1]	14.00	11.70	1675 [790.5]	8083684
		RCF6024HTAM	57000 [16.7]	38800 [11.4]	18200 [5.3]	14.50	12.00	1425 [672.5]	7501248
RA1460AJ1	R801TA100521MSA	RCF6024HTAM	57000 [16.7]	38800 [11.4]	18200 [5.3]	14.50	12.00	1425 [672.5]	7501248
		RCF6024STAM	57000 [16.7]	38800 [11.4]	18200 [5.3]	14.50	12.00	1425 [672.5]	7501253
RA1460AJ1	R801TA100521MSA	RCF6024STAM	57000 [16.7]	38800 [11.4]	18200 [5.3]	14.50	12.00	1425 [672.5]	7501253
RA1460AJ1	R801TA100521MXA	RCF6021STAM	56000 [16.4]	38700 [11.3]	17300 [5.1]	14.00	11.70	1675 [790.5]	8389851
RA1460AJ1	R801TA100521MXA	RCF6021STAM	56000 [16.4]	38700 [11.3]	17300 [5.1]	14.00	11.70	1675 [790.5]	8389851
		RCF6024HTAM	57000 [16.7]	38800 [11.4]	18200 [5.3]	14.50	12.00	1425 [672.5]	8053884
RA1460AJ1	R801TA100521MXA	RCF6024HTAM	57000 [16.7]	38800 [11.4]	18200 [5.3]	14.50	12.00	1425 [672.5]	8053884
		RCF6024STAM	57000 [16.7]	38800 [11.4]	18200 [5.3]	14.50	12.00	1425 [672.5]	8053900
RA1460AJ1	R801TA100521MXA	RCF6024STAM	57000 [16.7]	38800 [11.4]	18200 [5.3]	14.50	12.00	1425 [672.5]	8053900
RA1460AJ1	R801TA100521ZSA	RCF6024HTAM	56500 [16.6]	38300 [11.2]	18200 [5.3]	14.00	11.70	1425 [672.5]	7501249

[ ] Designates Metric Conversions

## Performance Data @ AHRI Standard Conditions – Cooling (con't.)

R801T: Achiever Plus Single-Stage X-13 80% Furnace Ratings									
Outdoor Unit	Furnace	Indoor Coil	Total Capacity BTU/H [kW]	Net Sensible BTU/H [kW]	Net Latent BTU/H [kW]	SEER	EER	Indoor CFM [L/s]	AHRI#
RA1460AJ1	R801TA100521ZSA	RCF6024HTAM	56500 [16.6]	38300 [11.2]	18200 [5.3]	14.00	11.70	1425 [672.5]	7501249
		RCF6024STAM	56500 [16.6]	38300 [11.2]	18200 [5.3]	14.00	11.70	1425 [672.5]	7501254
RA1460AJ1	R801TA100521ZSA	RCF6024STAM	56500 [16.6]	38300 [11.2]	18200 [5.3]	14.00	11.70	1425 [672.5]	7501254
RA1460AJ1	R801TA100521ZSB	RCF6024HTAM	56500 [16.6]	38300 [11.2]	18200 [5.3]	14.00	11.70	1425 [672.5]	8389856
RA1460AJ1	R801TA100521ZSB	RCF6024HTAM	56500 [16.6]	38300 [11.2]	18200 [5.3]	14.00	11.70	1425 [672.5]	8389856
		RCF6024STAM	56500 [16.6]	38300 [11.2]	18200 [5.3]	14.00	11.70	1425 [672.5]	8389883
RA1460AJ1	R801TA100521ZSB	RCF6024STAM	56500 [16.6]	38300 [11.2]	18200 [5.3]	14.00	11.70	1425 [672.5]	8389883
RA1460AJ1	R801TA100521ZXA	RCF6024HTAM	56500 [16.6]	38300 [11.2]	18200 [5.3]	14.00	11.70	1425 [672.5]	8053885
RA1460AJ1	R801TA100521ZXA	RCF6024HTAM	56500 [16.6]	38300 [11.2]	18200 [5.3]	14.00	11.70	1425 [672.5]	8053885
		RCF6024STAM	56500 [16.6]	38300 [11.2]	18200 [5.3]	14.00	11.70	1425 [672.5]	8053901
RA1460AJ1	R801TA100521ZXA	RCF6024STAM	56500 [16.6]	38300 [11.2]	18200 [5.3]	14.00	11.70	1425 [672.5]	8053901
RA1460AJ1	R801TA100521ZXB	RCF6024HTAM	56500 [16.6]	38300 [11.2]	18200 [5.3]	14.00	11.70	1425 [672.5]	8389857
RA1460AJ1	R801TA100521ZXB	RCF6024HTAM	56500 [16.6]	38300 [11.2]	18200 [5.3]	14.00	11.70	1425 [672.5]	8389857
		RCF6024STAM	56500 [16.6]	38300 [11.2]	18200 [5.3]	14.00	11.70	1425 [672.5]	8389884
RA1460AJ1	R801TA100521ZXB	RCF6024STAM	56500 [16.6]	38300 [11.2]	18200 [5.3]	14.00	11.70	1425 [672.5]	8389884
RA1460AJ1	R801TA125524MSA	RCF6024HTAM	58000 [17.0]	41500 [12.2]	16500 [4.8]	14.00	11.70	1750 [825.9]	7501250
RA1460AJ1	R801TA125524MSA	RCF6024HTAM	58000 [17.0]	41500 [12.2]	16500 [4.8]	14.00	11.70	1750 [825.9]	7501250
		RCF6024STAM	58000 [17.0]	41500 [12.2]	16500 [4.8]	14.00	11.70	1750 [825.9]	7501255
RA1460AJ1	R801TA125524MSA	RCF6024STAM	58000 [17.0]	41500 [12.2]	16500 [4.8]	14.00	11.70	1750 [825.9]	7501255
RA1460AJ1	R801TA125524MXA	RCF6024HTAM	58000 [17.0]	41500 [12.2]	16500 [4.8]	14.00	11.70	1750 [825.9]	8053887
RA1460AJ1	R801TA125524MXA	RCF6024HTAM	58000 [17.0]	41500 [12.2]	16500 [4.8]	14.00	11.70	1750 [825.9]	8053887
		RCF6024STAM	58000 [17.0]	41500 [12.2]	16500 [4.8]	14.00	11.70	1750 [825.9]	8053902
RA1460AJ1	R801TA125524MXA	RCF6024STAM	58000 [17.0]	41500 [12.2]	16500 [4.8]	14.00	11.70	1750 [825.9]	8053902
RA1460AJ1	R801TA125524ZSA	RCF6024HTAM	57500 [16.9]	41200 [12.1]	16300 [4.8]	14.00	11.70	1675 [790.5]	7501251
RA1460AJ1	R801TA125524ZSA	RCF6024HTAM	57500 [16.9]	41200 [12.1]	16300 [4.8]	14.00	11.70	1675 [790.5]	7501251
		RCF6024STAM	57500 [16.9]	41200 [12.1]	16300 [4.8]	14.00	11.70	1675 [790.5]	7501256
RA1460AJ1	R801TA125524ZSA	RCF6024STAM	57500 [16.9]	41200 [12.1]	16300 [4.8]	14.00	11.70	1675 [790.5]	7501256
RA1460AJ1	R801TA125524ZSB	RCF6024HTAM	57500 [16.9]	41200 [12.1]	16300 [4.8]	14.00	11.70	1675 [790.5]	8389858
RA1460AJ1	R801TA125524ZSB	RCF6024HTAM	57500 [16.9]	41200 [12.1]	16300 [4.8]	14.00	11.70	1675 [790.5]	8389858
		RCF6024STAM	57500 [16.9]	41200 [12.1]	16300 [4.8]	14.00	11.70	1675 [790.5]	8389885
RA1460AJ1	R801TA125524ZSB	RCF6024STAM	57500 [16.9]	41200 [12.1]	16300 [4.8]	14.00	11.70	1675 [790.5]	8389885
RA1460AJ1	R801TA125524ZXA	RCF6024HTAM	57500 [16.9]	41200 [12.1]	16300 [4.8]	14.00	11.70	1675 [790.5]	8053888
RA1460AJ1	R801TA125524ZXA	RCF6024HTAM	57500 [16.9]	41200 [12.1]	16300 [4.8]	14.00	11.70	1675 [790.5]	8053888
		RCF6024STAM	57500 [16.9]	41200 [12.1]	16300 [4.8]	14.00	11.70	1675 [790.5]	8053904
RA1460AJ1	R801TA125524ZXA	RCF6024STAM	57500 [16.9]	41200 [12.1]	16300 [4.8]	14.00	11.70	1675 [790.5]	8053904
RA1460AJ1	R801TA125524ZXB	RCF6024HTAM	57500 [16.9]	41200 [12.1]	16300 [4.8]	14.00	11.70	1675 [790.5]	8389859
RA1460AJ1	R801TA125524ZXB	RCF6024HTAM	57500 [16.9]	41200 [12.1]	16300 [4.8]	14.00	11.70	1675 [790.5]	8389859
		RCF6024STAM	57500 [16.9]	41200 [12.1]	16300 [4.8]	14.00	11.70	1675 [790.5]	8389886
RA1460AJ1	R801TA125524ZXB	RCF6024STAM	57500 [16.9]	41200 [12.1]	16300 [4.8]	14.00	11.70	1675 [790.5]	8389886
RA1460AJ1	R801TB075521ZSB	RCF6024HTAM	56500 [16.6]	38400 [11.3]	18100 [5.3]	14.00	11.70	1450 [684.3]	8389860
RA1460AJ1	R801TB075521ZSB	RCF6024HTAM	56500 [16.6]	38400 [11.3]	18100 [5.3]	14.00	11.70	1450 [684.3]	8389860
		RCF6024STAM	56500 [16.6]	38400 [11.3]	18100 [5.3]	14.00	11.70	1450 [684.3]	8389887
RA1460AJ1	R801TB075521ZSB	RCF6024STAM	56500 [16.6]	38400 [11.3]	18100 [5.3]	14.00	11.70	1450 [684.3]	8389887
RA1460AJ1	R801TB075521ZXB	RCF6024HTAM	56500 [16.6]	38400 [11.3]	18100 [5.3]	14.00	11.70	1450 [684.3]	8389861
RA1460AJ1	R801TB075521ZXB	RCF6024HTAM	56500 [16.6]	38400 [11.3]	18100 [5.3]	14.00	11.70	1450 [684.3]	8389861
		RCF6024STAM	56500 [16.6]	38400 [11.3]	18100 [5.3]	14.00	11.70	1450 [684.3]	8389888
RA1460AJ1	R801TB075521ZXB	RCF6024STAM	56500 [16.6]	38400 [11.3]	18100 [5.3]	14.00	11.70	1450 [684.3]	8389888
RA1460AJ1	R801TB100521ZSB	RCF6024HTAM	56500 [16.6]	38300 [11.2]	18200 [5.3]	14.00	11.70	1425 [672.5]	8389862

[ ] Designates Metric Conversions

## Performance Data @ AHRI Standard Conditions – Cooling (con't.)

R801T: Achiever Plus Single-Stage X-13 80% Furnace Ratings									
Outdoor Unit	Furnace	Indoor Coil	Total Capacity BTU/H [kW]	Net Sensible BTU/H [kW]	Net Latent BTU/H [kW]	SEER	EER	Indoor CFM [L/s]	AHRI#
RA1460AJ1	R801TB100521ZSB	RCF6024HTAM	56500 [16.6]	38300 [11.2]	18200 [5.3]	14.00	11.70	1425 [672.5]	8389862
		RCF6024STAM	56500 [16.6]	38300 [11.2]	18200 [5.3]	14.00	11.70	1425 [672.5]	8389889
RA1460AJ1	R801TB100521ZSB	RCF6024STAM	56500 [16.6]	38300 [11.2]	18200 [5.3]	14.00	11.70	1425 [672.5]	8389889
RA1460AJ1	R801TB100521ZXB	RCF6024HTAM	56500 [16.6]	38300 [11.2]	18200 [5.3]	14.00	11.70	1425 [672.5]	8389863
RA1460AJ1	R801TB100521ZXB	RCF6024HTAM	56500 [16.6]	38300 [11.2]	18200 [5.3]	14.00	11.70	1425 [672.5]	8389863
		RCF6024STAM	56500 [16.6]	38300 [11.2]	18200 [5.3]	14.00	11.70	1425 [672.5]	8389890
RA1460AJ1	R801TB100521ZXB	RCF6024STAM	56500 [16.6]	38300 [11.2]	18200 [5.3]	14.00	11.70	1425 [672.5]	8389890
RA1460AJ1	R801TB125524ZSB	RCF6024HTAM	57500 [16.9]	41200 [12.1]	16300 [4.8]	14.00	11.70	1675 [790.5]	8389864
RA1460AJ1	R801TB125524ZSB	RCF6024HTAM	57500 [16.9]	41200 [12.1]	16300 [4.8]	14.00	11.70	1675 [790.5]	8389864
		RCF6024STAM	57500 [16.9]	41200 [12.1]	16300 [4.8]	14.00	11.70	1675 [790.5]	8389891
RA1460AJ1	R801TB125524ZSB	RCF6024STAM	57500 [16.9]	41200 [12.1]	16300 [4.8]	14.00	11.70	1675 [790.5]	8389891
RA1460AJ1	R801TB125524ZXB	RCF6024HTAM	57500 [16.9]	41200 [12.1]	16300 [4.8]	14.00	11.70	1675 [790.5]	8389865
RA1460AJ1	R801TB125524ZXB	RCF6024HTAM	57500 [16.9]	41200 [12.1]	16300 [4.8]	14.00	11.70	1675 [790.5]	8389865
		RCF6024STAM	57500 [16.9]	41200 [12.1]	16300 [4.8]	14.00	11.70	1675 [790.5]	8389892
RA1460AJ1	R801TB125524ZXB	RCF6024STAM	57500 [16.9]	41200 [12.1]	16300 [4.8]	14.00	11.70	1675 [790.5]	8389892

[ ] Designates Metric Conversions

## Performance Data @ AHRI Standard Conditions – Cooling (con't.)

R802V: Ultra 2-Stage 80% ECM Furnace Ratings									
Outdoor Unit	Furnace	Indoor Coil	Total Capacity BTU/H [kW]	Net Sensible BTU/H [kW]	Net Latent BTU/H [kW]	SEER	EER	Indoor CFM [L/s]	AHRI#
RA1418AJ1	R802VA050317MSA	RCF2417HTAM	18000 [5.3]	13700 [4.0]	4300 [1.3]	16.00	13.00	675 [318.6]	7599508
		RCF2417MTAM	18000 [5.3]	13700 [4.0]	4300 [1.3]	16.00	13.00	675 [318.6]	7599512
		RCF2417STAM	18000 [5.3]	13700 [4.0]	4300 [1.3]	15.50	13.00	675 [318.6]	7599516
		RCF2421MTAM	18000 [5.3]	13700 [4.0]	4300 [1.3]	16.00	13.00	675 [318.6]	7599525
RA1418AJ1	R802VA050317MXA	RCF2417HTAM	18000 [5.3]	13700 [4.0]	4300 [1.3]	16.00	13.00	675 [318.6]	8052682
		RCF2417MTAM	18000 [5.3]	13700 [4.0]	4300 [1.3]	16.00	13.00	675 [318.6]	8052687
		RCF2417STAM	18000 [5.3]	13700 [4.0]	4300 [1.3]	15.50	13.00	675 [318.6]	8052692
		RCF2421MTAM	18000 [5.3]	13700 [4.0]	4300 [1.3]	16.00	13.00	675 [318.6]	8052702
RA1418AJ1	R802VA075317MSA	RCF2417HTAM	18000 [5.3]	13700 [4.0]	4300 [1.3]	16.00	13.00	675 [318.6]	7599509
		RCF2417MTAM	18000 [5.3]	13700 [4.0]	4300 [1.3]	16.00	13.00	675 [318.6]	7599513
		RCF2417STAM	18000 [5.3]	13700 [4.0]	4300 [1.3]	15.50	13.00	675 [318.6]	7599517
		RCF2421MTAM	18000 [5.3]	13700 [4.0]	4300 [1.3]	16.00	13.00	675 [318.6]	7599526
RA1418AJ1	R802VA075317MXA	RCF2417HTAM	18000 [5.3]	13700 [4.0]	4300 [1.3]	16.00	13.00	675 [318.6]	8052683
		RCF2417MTAM	18000 [5.3]	13700 [4.0]	4300 [1.3]	16.00	13.00	675 [318.6]	8052688
		RCF2417STAM	18000 [5.3]	13700 [4.0]	4300 [1.3]	15.50	13.00	675 [318.6]	8052693
		RCF2421MTAM	18000 [5.3]	13700 [4.0]	4300 [1.3]	16.00	13.00	675 [318.6]	8052703
RA1418AJ1	R802VA075317ZSA	RCF2417HTAM	18000 [5.3]	13700 [4.0]	4300 [1.3]	16.00	13.00	675 [318.6]	7599510
		RCF2417MTAM	18000 [5.3]	13700 [4.0]	4300 [1.3]	16.00	13.00	675 [318.6]	7599514
		RCF2417STAM	18000 [5.3]	13700 [4.0]	4300 [1.3]	15.50	13.00	675 [318.6]	7599518
		RCF2421MTAM	18000 [5.3]	13700 [4.0]	4300 [1.3]	16.00	13.00	675 [318.6]	7599527
RA1418AJ1	R802VA075317ZSB	RCF2417HTAM	18000 [5.3]	13700 [4.0]	4300 [1.3]	16.00	13.00	675 [318.6]	8386951
		RCF2417MTAM	18000 [5.3]	13700 [4.0]	4300 [1.3]	16.00	13.00	675 [318.6]	8386959
		RCF2417STAM	18000 [5.3]	13700 [4.0]	4300 [1.3]	16.00	13.00	675 [318.6]	8386967
		RCF2421MTAM	18000 [5.3]	13700 [4.0]	4300 [1.3]	16.00	13.00	675 [318.6]	8386987
RA1418AJ1	R802VA075317ZXA	RCF2417HTAM	18000 [5.3]	13700 [4.0]	4300 [1.3]	16.00	13.00	675 [318.6]	8052684
		RCF2417MTAM	18000 [5.3]	13700 [4.0]	4300 [1.3]	16.00	13.00	675 [318.6]	8052689
		RCF2417STAM	18000 [5.3]	13700 [4.0]	4300 [1.3]	15.50	13.00	675 [318.6]	8052694
		RCF2421MTAM	18000 [5.3]	13700 [4.0]	4300 [1.3]	16.00	13.00	675 [318.6]	8052704
RA1418AJ1	R802VA075317ZXB	RCF2417HTAM	18000 [5.3]	13700 [4.0]	4300 [1.3]	16.00	13.00	675 [318.6]	8386952
		RCF2417MTAM	18000 [5.3]	13700 [4.0]	4300 [1.3]	16.00	13.00	675 [318.6]	8386960
		RCF2417STAM	18000 [5.3]	13700 [4.0]	4300 [1.3]	16.00	13.00	675 [318.6]	8386968
		RCF2421MTAM	18000 [5.3]	13700 [4.0]	4300 [1.3]	16.00	13.00	675 [318.6]	8386988
RA1418AJ1	R802VA075421MSA	RCF2421MTAM	18000 [5.3]	13700 [4.0]	4300 [1.3]	16.00	13.00	675 [318.6]	8052705
RA1418AJ1	R802VA075421MXA	RCF2421MTAM	18000 [5.3]	13700 [4.0]	4300 [1.3]	16.00	13.00	675 [318.6]	8107735
RA1418AJ1	R802VA075421ZSA	RCF2421MTAM	18000 [5.3]	13700 [4.0]	4300 [1.3]	16.00	13.00	650 [306.8]	7599528
RA1418AJ1	R802VA075421ZSB	RCF2421MTAM	18000 [5.3]	13700 [4.0]	4300 [1.3]	16.00	13.00	650 [306.8]	8386989
RA1418AJ1	R802VA075421ZXA	RCF2421MTAM	18000 [5.3]	13700 [4.0]	4300 [1.3]	16.00	13.00	650 [306.8]	8052706
RA1418AJ1	R802VA075421ZXB	RCF2421MTAM	18000 [5.3]	13700 [4.0]	4300 [1.3]	16.00	13.00	650 [306.8]	8386990
RA1418AJ1	R802VB075317ZSB	RCF2417HTAM	18000 [5.3]	13700 [4.0]	4300 [1.3]	16.00	13.00	675 [318.6]	8386953
		RCF2417MTAM	18000 [5.3]	13700 [4.0]	4300 [1.3]	16.00	13.00	675 [318.6]	8386961
		RCF2417STAM	18000 [5.3]	13700 [4.0]	4300 [1.3]	16.00	13.00	675 [318.6]	8386969
		RCF2421MTAM	18000 [5.3]	13700 [4.0]	4300 [1.3]	16.00	13.00	675 [318.6]	8386991
RA1418AJ1	R802VB075317ZXB	RCF2417HTAM	18000 [5.3]	13700 [4.0]	4300 [1.3]	16.00	13.00	675 [318.6]	8386954
		RCF2417MTAM	18000 [5.3]	13700 [4.0]	4300 [1.3]	16.00	13.00	675 [318.6]	8386962
		RCF2417STAM	18000 [5.3]	13700 [4.0]	4300 [1.3]	16.00	13.00	675 [318.6]	8386970
		RCF2421MTAM	18000 [5.3]	13700 [4.0]	4300 [1.3]	16.00	13.00	675 [318.6]	8386992
RA1418AJ1	R802VB075421ZSB	RCF2421MTAM	18000 [5.3]	13700 [4.0]	4300 [1.3]	16.00	13.00	650 [306.8]	8386993
RA1418AJ1	R802VB075421ZXB	RCF2421MTAM	18000 [5.3]	13700 [4.0]	4300 [1.3]	16.00	13.00	650 [306.8]	8386994
RA1418AJ1	R802VA050317MSA	RCF2421HTAM	18000 [5.3]	13700 [4.0]	4300 [1.3]	16.00	13.00	675 [318.6]	7599520

[ ] Designates Metric Conversions

## Performance Data @ AHRI Standard Conditions – Cooling (con't.)

R802V: Ultra 2-Stage 80% ECM Furnace Ratings									
Outdoor Unit	Furnace	Indoor Coil	Total Capacity BTU/H [kW]	Net Sensible BTU/H [kW]	Net Latent BTU/H [kW]	SEER	EER	Indoor CFM [L/s]	AHRI#
RA1418AJ1	R802VA050317MXA	RCF2421HTAM	18000 [5.3]	13700 [4.0]	4300 [1.3]	16.00	13.00	675 [318.6]	8052696
RA1418AJ1	R802VA075317MSA	RCF2421HTAM	18000 [5.3]	13700 [4.0]	4300 [1.3]	16.00	13.00	675 [318.6]	7599521
RA1418AJ1	R802VA075317MXA	RCF2421HTAM	18000 [5.3]	13700 [4.0]	4300 [1.3]	16.00	13.00	675 [318.6]	8052697
RA1418AJ1	R802VA075317ZSA	RCF2421HTAM	18000 [5.3]	13700 [4.0]	4300 [1.3]	16.00	13.00	675 [318.6]	7599522
RA1418AJ1	R802VA075317ZSB	RCF2421HTAM	18000 [5.3]	13700 [4.0]	4300 [1.3]	16.00	13.00	675 [318.6]	8386975
RA1418AJ1	R802VA075317ZXA	RCF2421HTAM	18000 [5.3]	13700 [4.0]	4300 [1.3]	16.00	13.00	675 [318.6]	8052698
RA1418AJ1	R802VA075317ZXB	RCF2421HTAM	18000 [5.3]	13700 [4.0]	4300 [1.3]	16.00	13.00	675 [318.6]	8386976
RA1418AJ1	R802VA075421MSA	RCF2421HTAM	18000 [5.3]	13700 [4.0]	4300 [1.3]	16.00	13.00	675 [318.6]	8052699
RA1418AJ1	R802VA075421MXA	RCF2421HTAM	18000 [5.3]	13700 [4.0]	4300 [1.3]	16.00	13.00	675 [318.6]	8107734
RA1418AJ1	R802VA075421ZSA	RCF2421HTAM	18000 [5.3]	13700 [4.0]	4300 [1.3]	16.00	13.00	650 [306.8]	7599523
RA1418AJ1	R802VA075421ZSB	RCF2421HTAM	18000 [5.3]	13700 [4.0]	4300 [1.3]	16.00	13.00	650 [306.8]	8386977
RA1418AJ1	R802VA075421ZXA	RCF2421HTAM	18000 [5.3]	13700 [4.0]	4300 [1.3]	16.00	13.00	650 [306.8]	8052700
RA1418AJ1	R802VA075421ZXB	RCF2421HTAM	18000 [5.3]	13700 [4.0]	4300 [1.3]	16.00	13.00	650 [306.8]	8386978
RA1418AJ1	R802VB075317ZSB	RCF2421HTAM	18000 [5.3]	13700 [4.0]	4300 [1.3]	16.00	13.00	675 [318.6]	8386979
RA1418AJ1	R802VB075317ZXB	RCF2421HTAM	18000 [5.3]	13700 [4.0]	4300 [1.3]	16.00	13.00	675 [318.6]	8386980
RA1418AJ1	R802VB075421ZSB	RCF2421HTAM	18000 [5.3]	13700 [4.0]	4300 [1.3]	16.00	13.00	650 [306.8]	8386981
RA1418AJ1	R802VB075421ZXB	RCF2421HTAM	18000 [5.3]	13700 [4.0]	4300 [1.3]	16.00	13.00	650 [306.8]	8386982
RA1424AJ1	R802VA050317MSA	RCF2417HTAM	24000 [7.0]	18100 [5.3]	5900 [1.7]	15.50	13.00	725 [342.2]	7599556
		RCF2417MTAM	24000 [7.0]	18100 [5.3]	5900 [1.7]	15.50	13.00	850 [401.2]	7599560
		RCF2417STAM	24000 [7.0]	18100 [5.3]	5900 [1.7]	15.10	12.50	800 [377.6]	7599564
		RCF2421MTAM	24000 [7.0]	18100 [5.3]	5900 [1.7]	15.50	13.00	850 [401.2]	7599575
RA1424AJ1	R802VA050317MXA	RCF2417HTAM	24000 [7.0]	18100 [5.3]	5900 [1.7]	15.50	13.00	725 [342.2]	8052740
		RCF2417MTAM	24000 [7.0]	18100 [5.3]	5900 [1.7]	15.50	13.00	850 [401.2]	8052745
		RCF2417STAM	24000 [7.0]	18100 [5.3]	5900 [1.7]	15.10	12.50	800 [377.6]	8052750
		RCF2421MTAM	24000 [7.0]	18100 [5.3]	5900 [1.7]	15.50	13.00	850 [401.2]	8052762
RA1424AJ1	R802VA075317MSA	RCF2417HTAM	24000 [7.0]	18100 [5.3]	5900 [1.7]	16.00	13.00	850 [401.2]	7599557
		RCF2417MTAM	24000 [7.0]	18100 [5.3]	5900 [1.7]	16.00	13.00	875 [413.0]	7599561
		RCF2417STAM	24000 [7.0]	18100 [5.3]	5900 [1.7]	15.50	13.00	850 [401.2]	7599565
		RCF2421MTAM	24000 [7.0]	18100 [5.3]	5900 [1.7]	16.00	13.00	875 [413.0]	7599576
RA1424AJ1	R802VA075317MXA	RCF2417HTAM	24000 [7.0]	18100 [5.3]	5900 [1.7]	16.00	13.00	850 [401.2]	8052741
		RCF2417MTAM	24000 [7.0]	18100 [5.3]	5900 [1.7]	16.00	13.00	875 [413.0]	8052746
		RCF2417STAM	24000 [7.0]	18100 [5.3]	5900 [1.7]	15.50	13.00	850 [401.2]	8052751
		RCF2421MTAM	24000 [7.0]	18100 [5.3]	5900 [1.7]	16.00	13.00	875 [413.0]	8052763
RA1424AJ1	R802VA075317ZSA	RCF2417HTAM	24000 [7.0]	18100 [5.3]	5900 [1.7]	16.00	13.00	800 [377.6]	7599558
		RCF2417MTAM	24000 [7.0]	18100 [5.3]	5900 [1.7]	16.00	13.00	800 [377.6]	7599562
		RCF2417STAM	24000 [7.0]	18100 [5.3]	5900 [1.7]	15.50	13.00	750 [354.0]	7599566
		RCF2421MTAM	24000 [7.0]	18100 [5.3]	5900 [1.7]	16.00	13.00	800 [377.6]	7599577
RA1424AJ1	R802VA075317ZSB	RCF2417HTAM	24000 [7.0]	18100 [5.3]	5900 [1.7]	15.10	12.50	875 [413.0]	8387049
		RCF2417MTAM	24000 [7.0]	18100 [5.3]	5900 [1.7]	15.10	12.50	875 [413.0]	8387058
		RCF2417STAM	24000 [7.0]	18100 [5.3]	5900 [1.7]	15.50	13.00	750 [354.0]	8387067
		RCF2421MTAM	24000 [7.0]	18100 [5.3]	5900 [1.7]	15.10	12.50	875 [413.0]	8387091
RA1424AJ1	R802VA075317ZXA	RCF2417HTAM	24000 [7.0]	18100 [5.3]	5900 [1.7]	16.00	13.00	800 [377.6]	8052742
		RCF2417MTAM	24000 [7.0]	18100 [5.3]	5900 [1.7]	16.00	13.00	800 [377.6]	8052747
		RCF2417STAM	24000 [7.0]	18100 [5.3]	5900 [1.7]	15.50	13.00	750 [354.0]	8052752
		RCF2421MTAM	24000 [7.0]	18100 [5.3]	5900 [1.7]	16.00	13.00	800 [377.6]	8052764
RA1424AJ1	R802VA075317ZXB	RCF2417HTAM	24000 [7.0]	18100 [5.3]	5900 [1.7]	15.10	12.50	875 [413.0]	8387050
		RCF2417MTAM	24000 [7.0]	18100 [5.3]	5900 [1.7]	15.10	12.50	875 [413.0]	8387059
		RCF2417STAM	24000 [7.0]	18100 [5.3]	5900 [1.7]	15.50	13.00	750 [354.0]	8387068
		RCF2421MTAM	24000 [7.0]	18100 [5.3]	5900 [1.7]	15.10	12.50	875 [413.0]	8387092

[ ] Designates Metric Conversions



## Performance Data @ AHRI Standard Conditions – Cooling (con't.)

R802V: Ultra 2-Stage 80% ECM Furnace Ratings									
Outdoor Unit	Furnace	Indoor Coil	Total Capacity BTU/H [kW]	Net Sensible BTU/H [kW]	Net Latent BTU/H [kW]	SEER	EER	Indoor CFM [L/s]	AHRI#
RA1424AJ1	R802VA075421MSA	RCF2421MTAM	24000 [7.0]	18100 [5.3]	5900 [1.7]	16.00	13.00	850 [401.2]	8052765
RA1424AJ1	R802VA075421MXA	RCF2421MTAM	24000 [7.0]	18100 [5.3]	5900 [1.7]	16.00	13.00	850 [401.2]	8107739
RA1424AJ1	R802VA075421ZSA	RCF2421MTAM	24000 [7.0]	18100 [5.3]	5900 [1.7]	16.00	13.00	800 [377.6]	7599578
RA1424AJ1	R802VA075421ZSB	RCF2421MTAM	24000 [7.0]	18100 [5.3]	5900 [1.7]	15.10	12.50	875 [413.0]	8387093
RA1424AJ1	R802VA075421ZXA	RCF2421MTAM	24000 [7.0]	18100 [5.3]	5900 [1.7]	16.00	13.00	800 [377.6]	8052766
RA1424AJ1	R802VA075421ZXB	RCF2421MTAM	24000 [7.0]	18100 [5.3]	5900 [1.7]	15.10	12.50	875 [413.0]	8387094
RA1424AJ1	R802VA100521MSA	RCF2421MTAM	24000 [7.0]	18100 [5.3]	5900 [1.7]	16.00	13.00	850 [401.2]	7599579
RA1424AJ1	R802VA100521MXA	RCF2421MTAM	24000 [7.0]	18100 [5.3]	5900 [1.7]	16.00	13.00	850 [401.2]	8052767
RA1424AJ1	R802VA100521ZSA	RCF2421MTAM	24000 [7.0]	18100 [5.3]	5900 [1.7]	15.50	13.00	900 [424.8]	7599580
RA1424AJ1	R802VA100521ZXA	RCF2421MTAM	24000 [7.0]	18100 [5.3]	5900 [1.7]	15.50	13.00	900 [424.8]	8052768
RA1424AJ1	R802VB075317ZSB	RCF2417HTAM	24000 [7.0]	18100 [5.3]	5900 [1.7]	15.10	12.50	875 [413.0]	8387051
		RCF2417MTAM	24000 [7.0]	18100 [5.3]	5900 [1.7]	15.10	12.50	875 [413.0]	8387060
		RCF2417STAM	24000 [7.0]	18100 [5.3]	5900 [1.7]	15.50	13.00	750 [354.0]	8387069
		RCF2421MTAM	24000 [7.0]	18100 [5.3]	5900 [1.7]	15.10	12.50	875 [413.0]	8387095
RA1424AJ1	R802VB075317ZXB	RCF2417HTAM	24000 [7.0]	18100 [5.3]	5900 [1.7]	15.10	12.50	875 [413.0]	8387052
		RCF2417MTAM	24000 [7.0]	18100 [5.3]	5900 [1.7]	15.10	12.50	875 [413.0]	8387061
		RCF2417STAM	24000 [7.0]	18100 [5.3]	5900 [1.7]	15.50	13.00	750 [354.0]	8387070
		RCF2421MTAM	24000 [7.0]	18100 [5.3]	5900 [1.7]	15.10	12.50	875 [413.0]	8387096
RA1424AJ1	R802VB075421ZSB	RCF2421MTAM	24000 [7.0]	18100 [5.3]	5900 [1.7]	15.10	12.50	875 [413.0]	8387097
RA1424AJ1	R802VB075421ZXB	RCF2421MTAM	24000 [7.0]	18100 [5.3]	5900 [1.7]	15.10	12.50	875 [413.0]	8387098
RA1424AJ1	R802VB100521ZSB	RCF2421MTAM	24000 [7.0]	18100 [5.3]	5900 [1.7]	15.50	13.00	900 [424.8]	8387099
RA1424AJ1	R802VB100521ZXB	RCF2421MTAM	24000 [7.0]	18100 [5.3]	5900 [1.7]	15.50	13.00	900 [424.8]	8387100
RA1424AJ1	R802VA050317MSA	RCF2421HTAM	24000 [7.0]	18100 [5.3]	5900 [1.7]	15.50	13.00	850 [401.2]	7599568
RA1424AJ1	R802VA050317MXA	RCF2421HTAM	24000 [7.0]	18100 [5.3]	5900 [1.7]	15.50	13.00	850 [401.2]	8052754
RA1424AJ1	R802VA075317MSA	RCF2421HTAM	24000 [7.0]	18100 [5.3]	5900 [1.7]	16.00	13.00	875 [413.0]	7599569
RA1424AJ1	R802VA075317MXA	RCF2421HTAM	24000 [7.0]	18100 [5.3]	5900 [1.7]	16.00	13.00	875 [413.0]	8052755
RA1424AJ1	R802VA075317ZSA	RCF2421HTAM	24000 [7.0]	18100 [5.3]	5900 [1.7]	16.00	13.00	800 [377.6]	7599570
RA1424AJ1	R802VA075317ZSB	RCF2421HTAM	24000 [7.0]	18100 [5.3]	5900 [1.7]	15.10	12.50	875 [413.0]	8387076
RA1424AJ1	R802VA075317ZXA	RCF2421HTAM	24000 [7.0]	18100 [5.3]	5900 [1.7]	16.00	13.00	800 [377.6]	8052756
RA1424AJ1	R802VA075317ZXB	RCF2421HTAM	24000 [7.0]	18100 [5.3]	5900 [1.7]	15.10	12.50	875 [413.0]	8387077
RA1424AJ1	R802VA075421MSA	RCF2421HTAM	24000 [7.0]	18100 [5.3]	5900 [1.7]	16.00	13.00	850 [401.2]	8052757
RA1424AJ1	R802VA075421MXA	RCF2421HTAM	24000 [7.0]	18100 [5.3]	5900 [1.7]	16.00	13.00	850 [401.2]	8107738
RA1424AJ1	R802VA075421ZSA	RCF2421HTAM	24000 [7.0]	18100 [5.3]	5900 [1.7]	16.00	13.00	800 [377.6]	7599571
RA1424AJ1	R802VA075421ZSB	RCF2421HTAM	24000 [7.0]	18100 [5.3]	5900 [1.7]	15.10	12.50	875 [413.0]	8387078
RA1424AJ1	R802VA075421ZXA	RCF2421HTAM	24000 [7.0]	18100 [5.3]	5900 [1.7]	16.00	13.00	800 [377.6]	8052758
RA1424AJ1	R802VA075421ZXB	RCF2421HTAM	24000 [7.0]	18100 [5.3]	5900 [1.7]	15.10	12.50	875 [413.0]	8387079
RA1424AJ1	R802VA100521MSA	RCF2421HTAM	24000 [7.0]	18100 [5.3]	5900 [1.7]	16.00	13.00	850 [401.2]	7599572
RA1424AJ1	R802VA100521MXA	RCF2421HTAM	24000 [7.0]	18100 [5.3]	5900 [1.7]	16.00	13.00	850 [401.2]	8052759
RA1424AJ1	R802VA100521ZSA	RCF2421HTAM	24000 [7.0]	18100 [5.3]	5900 [1.7]	15.50	13.00	900 [424.8]	7599573
RA1424AJ1	R802VA100521ZXA	RCF2421HTAM	24000 [7.0]	18100 [5.3]	5900 [1.7]	15.50	13.00	900 [424.8]	8052760
RA1424AJ1	R802VB075317ZSB	RCF2421HTAM	24000 [7.0]	18100 [5.3]	5900 [1.7]	15.10	12.50	875 [413.0]	8387080
RA1424AJ1	R802VB075317ZXB	RCF2421HTAM	24000 [7.0]	18100 [5.3]	5900 [1.7]	15.10	12.50	875 [413.0]	8387081
RA1424AJ1	R802VB075421ZSB	RCF2421HTAM	24000 [7.0]	18100 [5.3]	5900 [1.7]	15.10	12.50	875 [413.0]	8387082
RA1424AJ1	R802VB075421ZXB	RCF2421HTAM	24000 [7.0]	18100 [5.3]	5900 [1.7]	15.10	12.50	875 [413.0]	8387083
RA1424AJ1	R802VB100521ZSB	RCF2421HTAM	24000 [7.0]	18100 [5.3]	5900 [1.7]	15.50	13.00	900 [424.8]	8387084
RA1424AJ1	R802VB100521ZXB	RCF2421HTAM	24000 [7.0]	18100 [5.3]	5900 [1.7]	15.50	13.00	900 [424.8]	8387085

[ ] Designates Metric Conversions

## Performance Data @ AHRI Standard Conditions – Cooling (con't.)

R802V: Ultra 2-Stage 80% ECM Furnace Ratings									
Outdoor Unit	Furnace	Indoor Coil	Total Capacity BTU/H [kW]	Net Sensible BTU/H [kW]	Net Latent BTU/H [kW]	SEER	EER	Indoor CFM [L/s]	AHRI#
RA1430AJ1	R802VA050317MSA	RCF3617STAM	28200 [8.3]	20500 [6.0]	7700 [2.3]	15.10	12.50	800 [377.6]	7599612
		RCF3621HTAM	30000 [8.8]	22700 [6.7]	7300 [2.1]	16.00	13.00	975 [460.1]	8083392
		RCF3621MTAM	29800 [8.7]	22700 [6.7]	7300 [2.1]	16.00	13.00	800 [377.6]	7599616
		RCF3621STAM	28600 [8.4]	20900 [6.1]	7500 [2.2]	15.10	12.50	875 [413.0]	7599623
RA1430AJ1	R802VA050317MXA	RCF3617STAM	28200 [8.3]	20500 [6.0]	7700 [2.3]	15.10	12.50	800 [377.6]	8052806
		RCF3621HTAM	30000 [8.8]	22700 [6.7]	7300 [2.1]	16.00	13.00	975 [460.1]	8387179
		RCF3621MTAM	29800 [8.7]	22700 [6.7]	7300 [2.1]	16.00	13.00	800 [377.6]	8052815
		RCF3621STAM	28600 [8.4]	20900 [6.1]	7500 [2.2]	15.10	12.50	875 [413.0]	8052828
RA1430AJ1	R802VA075317MSA	RCF3617STAM	28800 [8.4]	22100 [6.5]	7100 [2.1]	15.50	13.00	875 [413.0]	7599613
		RCF3621HTAM	30000 [8.8]	22700 [6.7]	7300 [2.1]	16.00	13.00	1075 [507.3]	8083393
		RCF3621MTAM	30000 [8.8]	22700 [6.7]	7300 [2.1]	16.00	13.00	1075 [507.3]	7599617
		RCF3621STAM	28800 [8.4]	21400 [6.3]	7400 [2.2]	15.50	13.00	875 [413.0]	7599624
RA1430AJ1	R802VA075317MXA	RCF3617STAM	28800 [8.4]	22100 [6.5]	7100 [2.1]	15.50	13.00	875 [413.0]	8052807
		RCF3621HTAM	30000 [8.8]	22700 [6.7]	7300 [2.1]	16.00	13.00	1075 [507.3]	8387180
		RCF3621MTAM	30000 [8.8]	22700 [6.7]	7300 [2.1]	16.00	13.00	1075 [507.3]	8052816
		RCF3621STAM	28800 [8.4]	21400 [6.3]	7400 [2.2]	15.50	13.00	875 [413.0]	8052829
RA1430AJ1	R802VA075317ZSA	RCF3617STAM	28800 [8.4]	21400 [6.3]	7400 [2.2]	15.10	12.50	900 [424.8]	7599614
		RCF3621MTAM	30000 [8.8]	22700 [6.7]	7300 [2.1]	16.00	13.00	1000 [471.9]	7599618
		RCF3621STAM	28800 [8.4]	21400 [6.3]	7400 [2.2]	15.10	12.50	900 [424.8]	7599625
RA1430AJ1	R802VA075317ZSB	RCF3617STAM	28800 [8.4]	21400 [6.3]	7400 [2.2]	15.10	12.50	900 [424.8]	8387169
		RCF3621MTAM	30000 [8.8]	22700 [6.7]	7300 [2.1]	16.00	13.00	900 [424.8]	8387195
		RCF3621STAM	28800 [8.4]	21400 [6.3]	7400 [2.2]	15.10	12.50	900 [424.8]	8387224
RA1430AJ1	R802VA075317ZXA	RCF3617STAM	28800 [8.4]	21400 [6.3]	7400 [2.2]	15.10	12.50	900 [424.8]	8052808
		RCF3621MTAM	30000 [8.8]	22700 [6.7]	7300 [2.1]	16.00	13.00	1000 [471.9]	8052817
		RCF3621STAM	28800 [8.4]	21400 [6.3]	7400 [2.2]	15.10	12.50	900 [424.8]	8052830
RA1430AJ1	R802VA075317ZXB	RCF3617STAM	28800 [8.4]	21400 [6.3]	7400 [2.2]	15.10	12.50	900 [424.8]	8387170
		RCF3621MTAM	30000 [8.8]	22700 [6.7]	7300 [2.1]	16.00	13.00	900 [424.8]	8387196
		RCF3621STAM	28800 [8.4]	21400 [6.3]	7400 [2.2]	15.10	12.50	900 [424.8]	8387225
RA1430AJ1	R802VA075421MSA	RCF3621HTAM	30000 [8.8]	22700 [6.7]	7300 [2.1]	16.00	13.00	1075 [507.3]	8083394
		RCF3621MTAM	30000 [8.8]	22700 [6.7]	7300 [2.1]	16.00	13.00	1075 [507.3]	8052818
		RCF3621STAM	28800 [8.4]	21400 [6.3]	7400 [2.2]	15.50	13.00	900 [424.8]	8052831
		RCF3624HTAM	30000 [8.8]	22700 [6.7]	7300 [2.1]	16.00	13.00	1075 [507.3]	8052840
		RCF3624MTAM	30000 [8.8]	22700 [6.7]	7300 [2.1]	16.00	13.00	1075 [507.3]	8052851
RA1430AJ1	R802VA075421MXA	RCF3621HTAM	30000 [8.8]	22700 [6.7]	7300 [2.1]	16.00	13.00	1075 [507.3]	8107742
		RCF3621MTAM	30000 [8.8]	22700 [6.7]	7300 [2.1]	16.00	13.00	1075 [507.3]	8107743
		RCF3621STAM	28800 [8.4]	21400 [6.3]	7400 [2.2]	15.50	13.00	900 [424.8]	8107744
		RCF3624HTAM	30000 [8.8]	22700 [6.7]	7300 [2.1]	16.00	13.00	1075 [507.3]	8107745
		RCF3624MTAM	30000 [8.8]	22700 [6.7]	7300 [2.1]	16.00	13.00	1075 [507.3]	8107746
RA1430AJ1	R802VA075421ZSA	RCF3621MTAM	30000 [8.8]	22700 [6.7]	7300 [2.1]	16.00	13.00	1075 [507.3]	7599619
		RCF3621STAM	29400 [8.6]	22100 [6.5]	7100 [2.1]	15.10	12.50	1050 [495.5]	7599626
		RCF3624HTAM	30000 [8.8]	22700 [6.7]	7300 [2.1]	16.00	13.00	1075 [507.3]	7599630
		RCF3624MTAM	30000 [8.8]	22700 [6.7]	7300 [2.1]	16.00	13.00	1075 [507.3]	7599636
RA1430AJ1	R802VA075421ZSB	RCF3621MTAM	30000 [8.8]	22700 [6.7]	7300 [2.1]	16.00	13.00	1050 [495.5]	8387197
		RCF3621STAM	29200 [8.6]	22100 [6.5]	7100 [2.1]	15.10	12.50	975 [460.1]	8387226
		RCF3624HTAM	30000 [8.8]	22700 [6.7]	7300 [2.1]	16.00	13.00	1075 [507.3]	8387253
		RCF3624MTAM	30000 [8.8]	22700 [6.7]	7300 [2.1]	16.00	13.00	1050 [495.5]	8387278

[ ] Designates Metric Conversions

## Performance Data @ AHRI Standard Conditions – Cooling (con't.)

R802V: Ultra 2-Stage 80% ECM Furnace Ratings									
Outdoor Unit	Furnace	Indoor Coil	Total Capacity BTU/H [kW]	Net Sensible BTU/H [kW]	Net Latent BTU/H [kW]	SEER	EER	Indoor CFM [L/s]	AHRI#
RA1430AJ1	R802VA075421ZXA	RCF3621MTAM	30000 [8.8]	22700 [6.7]	7300 [2.1]	16.00	13.00	1075 [507.3]	8052819
		RCF3621STAM	29400 [8.6]	22100 [6.5]	7100 [2.1]	15.10	12.50	1050 [495.5]	8052832
		RCF3624HTAM	30000 [8.8]	22700 [6.7]	7300 [2.1]	16.00	13.00	1075 [507.3]	8052841
		RCF3624MTAM	30000 [8.8]	22700 [6.7]	7300 [2.1]	16.00	13.00	1075 [507.3]	8052852
RA1430AJ1	R802VA075421ZXB	RCF3621MTAM	30000 [8.8]	22700 [6.7]	7300 [2.1]	16.00	13.00	1050 [495.5]	8387198
		RCF3621STAM	29200 [8.6]	22100 [6.5]	7100 [2.1]	15.10	12.50	975 [460.1]	8387227
		RCF3624HTAM	30000 [8.8]	22700 [6.7]	7300 [2.1]	16.00	13.00	1075 [507.3]	8387254
		RCF3624MTAM	30000 [8.8]	22700 [6.7]	7300 [2.1]	16.00	13.00	1050 [495.5]	8387279
RA1430AJ1	R802VA100521MSA	RCF3621HTAM	30000 [8.8]	22700 [6.7]	7300 [2.1]	16.00	13.00	1025 [483.7]	8083395
		RCF3621MTAM	30000 [8.8]	22700 [6.7]	7300 [2.1]	16.00	13.00	1025 [483.7]	7599620
		RCF3621STAM	29400 [8.6]	22400 [6.6]	7000 [2.1]	15.50	13.00	1025 [483.7]	7599627
		RCF3624HTAM	30000 [8.8]	22700 [6.7]	7300 [2.1]	16.00	13.00	1025 [483.7]	7599631
		RCF3624MTAM	30000 [8.8]	22700 [6.7]	7300 [2.1]	16.00	13.00	1025 [483.7]	7599637
RA1430AJ1	R802VA100521MXA	RCF3621HTAM	30000 [8.8]	22700 [6.7]	7300 [2.1]	16.00	13.00	1025 [483.7]	8387181
		RCF3621MTAM	30000 [8.8]	22700 [6.7]	7300 [2.1]	16.00	13.00	1025 [483.7]	8052820
		RCF3621STAM	29400 [8.6]	22400 [6.6]	7000 [2.1]	15.50	13.00	1025 [483.7]	8052833
		RCF3624HTAM	30000 [8.8]	22700 [6.7]	7300 [2.1]	16.00	13.00	1025 [483.7]	8052842
		RCF3624MTAM	30000 [8.8]	22700 [6.7]	7300 [2.1]	16.00	13.00	1025 [483.7]	8052853
RA1430AJ1	R802VA100521ZSA	RCF3621MTAM	30000 [8.8]	22700 [6.7]	7300 [2.1]	16.00	13.00	1050 [495.5]	7599621
		RCF3621STAM	29400 [8.6]	22600 [6.6]	6800 [2.0]	15.10	12.50	1050 [495.5]	7599628
		RCF3624HTAM	30000 [8.8]	22700 [6.7]	7300 [2.1]	16.00	13.00	1050 [495.5]	7599632
		RCF3624MTAM	30000 [8.8]	22700 [6.7]	7300 [2.1]	16.00	13.00	1050 [495.5]	7599638
RA1430AJ1	R802VA100521ZSB	RCF3621MTAM	30000 [8.8]	22700 [6.7]	7300 [2.1]	16.00	13.00	1050 [495.5]	8387199
		RCF3621STAM	29400 [8.6]	22600 [6.6]	6800 [2.0]	15.10	12.50	1050 [495.5]	8387228
		RCF3624HTAM	30000 [8.8]	22700 [6.7]	7300 [2.1]	16.00	13.00	1050 [495.5]	8387255
		RCF3624MTAM	30000 [8.8]	22700 [6.7]	7300 [2.1]	16.00	13.00	1050 [495.5]	8387280
RA1430AJ1	R802VA100521ZXA	RCF3621MTAM	30000 [8.8]	22700 [6.7]	7300 [2.1]	16.00	13.00	1050 [495.5]	8052821
		RCF3621STAM	29400 [8.6]	22600 [6.6]	6800 [2.0]	15.10	12.50	1050 [495.5]	8052834
		RCF3624HTAM	30000 [8.8]	22700 [6.7]	7300 [2.1]	16.00	13.00	1050 [495.5]	8052843
		RCF3624MTAM	30000 [8.8]	22700 [6.7]	7300 [2.1]	16.00	13.00	1050 [495.5]	8052854
RA1430AJ1	R802VA100521ZXB	RCF3621MTAM	30000 [8.8]	22700 [6.7]	7300 [2.1]	16.00	13.00	1050 [495.5]	8387200
		RCF3621STAM	29400 [8.6]	22600 [6.6]	6800 [2.0]	15.10	12.50	1050 [495.5]	8387229
		RCF3624HTAM	30000 [8.8]	22700 [6.7]	7300 [2.1]	16.00	13.00	1050 [495.5]	8387256
		RCF3624MTAM	30000 [8.8]	22700 [6.7]	7300 [2.1]	16.00	13.00	1050 [495.5]	8387281
RA1430AJ1	R802VA125524MSA	RCF3624HTAM	30000 [8.8]	22700 [6.7]	7300 [2.1]	16.00	13.00	1050 [495.5]	7599633
		RCF3624MTAM	30000 [8.8]	22700 [6.7]	7300 [2.1]	16.00	13.00	1050 [495.5]	7599639
RA1430AJ1	R802VA125524MXA	RCF3624HTAM	30000 [8.8]	22700 [6.7]	7300 [2.1]	16.00	13.00	1050 [495.5]	8052844
		RCF3624MTAM	30000 [8.8]	22700 [6.7]	7300 [2.1]	16.00	13.00	1050 [495.5]	8052855
RA1430AJ1	R802VA125524ZSA	RCF3624HTAM	30000 [8.8]	22700 [6.7]	7300 [2.1]	16.00	13.00	1075 [507.3]	7599634
		RCF3624MTAM	30000 [8.8]	22700 [6.7]	7300 [2.1]	16.00	13.00	1075 [507.3]	7599640
RA1430AJ1	R802VA125524ZSB	RCF3624HTAM	30000 [8.8]	22700 [6.7]	7300 [2.1]	16.00	13.00	1075 [507.3]	8387257
		RCF3624MTAM	30000 [8.8]	22700 [6.7]	7300 [2.1]	16.00	13.00	1075 [507.3]	8387282
RA1430AJ1	R802VA125524ZXA	RCF3624HTAM	30000 [8.8]	22700 [6.7]	7300 [2.1]	16.00	13.00	1075 [507.3]	8052845
		RCF3624MTAM	30000 [8.8]	22700 [6.7]	7300 [2.1]	16.00	13.00	1075 [507.3]	8052856
RA1430AJ1	R802VA125524ZXB	RCF3624HTAM	30000 [8.8]	22700 [6.7]	7300 [2.1]	16.00	13.00	1075 [507.3]	8387258
		RCF3624MTAM	30000 [8.8]	22700 [6.7]	7300 [2.1]	16.00	13.00	1075 [507.3]	8387283
RA1430AJ1	R802VB075317ZSB	RCF3617STAM	28800 [8.4]	21400 [6.3]	7400 [2.2]	15.10	12.50	900 [424.8]	8387171
		RCF3621MTAM	30000 [8.8]	22700 [6.7]	7300 [2.1]	16.00	13.00	900 [424.8]	8387201
		RCF3621STAM	28800 [8.4]	21400 [6.3]	7400 [2.2]	15.10	12.50	900 [424.8]	8387230

[ ] Designates Metric Conversions

## Performance Data @ AHRI Standard Conditions – Cooling (con't.)

R802V: Ultra 2-Stage 80% ECM Furnace Ratings									
Outdoor Unit	Furnace	Indoor Coil	Total Capacity BTU/H [kW]	Net Sensible BTU/H [kW]	Net Latent BTU/H [kW]	SEER	EER	Indoor CFM [L/s]	AHRI#
RA1430AJ1	R802VB075317ZXB	RCF3617STAM	28800 [8.4]	21400 [6.3]	7400 [2.2]	15.10	12.50	900 [424.8]	8387172
		RCF3621MTAM	30000 [8.8]	22700 [6.7]	7300 [2.1]	16.00	13.00	900 [424.8]	8387202
		RCF3621STAM	28800 [8.4]	21400 [6.3]	7400 [2.2]	15.10	12.50	900 [424.8]	8387231
RA1430AJ1	R802VB075421ZSB	RCF3621MTAM	30000 [8.8]	22700 [6.7]	7300 [2.1]	16.00	13.00	1050 [495.5]	8387203
		RCF3621STAM	29200 [8.6]	22100 [6.5]	7100 [2.1]	15.10	12.50	975 [460.1]	8387232
		RCF3624HTAM	30000 [8.8]	22700 [6.7]	7300 [2.1]	16.00	13.00	1075 [507.3]	8387259
RA1430AJ1	R802VB075421ZXB	RCF3624MTAM	30000 [8.8]	22700 [6.7]	7300 [2.1]	16.00	13.00	1050 [495.5]	8387284
		RCF3621MTAM	30000 [8.8]	22700 [6.7]	7300 [2.1]	16.00	13.00	1050 [495.5]	8387204
		RCF3621STAM	29200 [8.6]	22100 [6.5]	7100 [2.1]	15.10	12.50	975 [460.1]	8387233
RA1430AJ1	R802VB075421ZXB	RCF3624HTAM	30000 [8.8]	22700 [6.7]	7300 [2.1]	16.00	13.00	1075 [507.3]	8387260
		RCF3624MTAM	30000 [8.8]	22700 [6.7]	7300 [2.1]	16.00	13.00	1050 [495.5]	8387285
		RCF3621MTAM	30000 [8.8]	22700 [6.7]	7300 [2.1]	16.00	13.00	1050 [495.5]	8387205
RA1430AJ1	R802VB100521ZSB	RCF3621STAM	29400 [8.6]	22600 [6.6]	6800 [2.0]	15.10	12.50	1050 [495.5]	8387234
		RCF3624HTAM	30000 [8.8]	22700 [6.7]	7300 [2.1]	16.00	13.00	1050 [495.5]	8387261
		RCF3624MTAM	30000 [8.8]	22700 [6.7]	7300 [2.1]	16.00	13.00	1050 [495.5]	8387286
RA1430AJ1	R802VB100521ZXB	RCF3621MTAM	30000 [8.8]	22700 [6.7]	7300 [2.1]	16.00	13.00	1050 [495.5]	8387206
		RCF3621STAM	29400 [8.6]	22600 [6.6]	6800 [2.0]	15.10	12.50	1050 [495.5]	8387235
		RCF3624HTAM	30000 [8.8]	22700 [6.7]	7300 [2.1]	16.00	13.00	1050 [495.5]	8387262
RA1430AJ1	R802VB125524ZSB	RCF3624MTAM	30000 [8.8]	22700 [6.7]	7300 [2.1]	16.00	13.00	1050 [495.5]	8387287
		RCF3624HTAM	30000 [8.8]	22700 [6.7]	7300 [2.1]	16.00	13.00	1075 [507.3]	8387263
		RCF3624MTAM	30000 [8.8]	22700 [6.7]	7300 [2.1]	16.00	13.00	1075 [507.3]	8387288
RA1430AJ1	R802VB125524ZXB	RCF3624HTAM	30000 [8.8]	22700 [6.7]	7300 [2.1]	16.00	13.00	1075 [507.3]	8387264
		RCF3624MTAM	30000 [8.8]	22700 [6.7]	7300 [2.1]	16.00	13.00	1075 [507.3]	8387289
RA1436AJ1	R802VA050317MSA	RCF3617STAM	34000 [10.0]	25200 [7.4]	9400 [2.8]	14.50	12.00	975 [460.1]	7600173
		RCF3621HTAM	36000 [10.6]	25900 [7.6]	10100 [3.0]	15.50	13.00	1100 [519.1]	8083470
		RCF3621MTAM	36000 [10.6]	25900 [7.6]	10100 [3.0]	15.10	12.50	1100 [519.1]	7600177
		RCF3621STAM	34200 [10.0]	24300 [7.1]	9900 [2.9]	14.50	12.00	975 [460.1]	7600184
RA1436AJ1	R802VA050317MXA	RCF3617STAM	34000 [10.0]	25200 [7.4]	9400 [2.8]	14.50	12.00	975 [460.1]	8053140
		RCF3621HTAM	36000 [10.6]	25900 [7.6]	10100 [3.0]	15.50	13.00	1100 [519.1]	8387873
		RCF3621MTAM	36000 [10.6]	25900 [7.6]	10100 [3.0]	15.10	12.50	1100 [519.1]	8053149
		RCF3621STAM	34200 [10.0]	24300 [7.1]	9900 [2.9]	14.50	12.00	975 [460.1]	8053162
RA1436AJ1	R802VA075317MSA	RCF3617STAM	34800 [10.2]	25100 [7.4]	9700 [2.8]	15.10	12.50	1025 [483.7]	7600174
		RCF3621HTAM	36000 [10.6]	25900 [7.6]	10100 [3.0]	16.00	13.00	1150 [542.7]	8083471
		RCF3621MTAM	36000 [10.6]	25900 [7.6]	10100 [3.0]	16.00	13.00	1025 [483.7]	7600178
		RCF3621STAM	34800 [10.2]	25100 [7.4]	9700 [2.8]	15.10	12.50	1025 [483.7]	7600185
RA1436AJ1	R802VA075317MXA	RCF3617STAM	34800 [10.2]	25100 [7.4]	9700 [2.8]	15.10	12.50	1025 [483.7]	8053141
		RCF3621HTAM	36000 [10.6]	25900 [7.6]	10100 [3.0]	16.00	13.00	1150 [542.7]	8387874
		RCF3621MTAM	36000 [10.6]	25900 [7.6]	10100 [3.0]	16.00	13.00	1025 [483.7]	8053150
		RCF3621STAM	34800 [10.2]	25100 [7.4]	9700 [2.8]	15.10	12.50	1025 [483.7]	8053163
RA1436AJ1	R802VA075317ZSA	RCF3617STAM	34800 [10.2]	25400 [7.4]	9400 [2.8]	14.50	12.00	1100 [519.1]	7600175
		RCF3621MTAM	36000 [10.6]	25900 [7.6]	10100 [3.0]	15.50	13.00	1100 [519.1]	7600179
		RCF3621STAM	34800 [10.2]	25400 [7.4]	9400 [2.8]	14.50	12.00	1100 [519.1]	7600186
RA1436AJ1	R802VA075317ZSB	RCF3617STAM	34800 [10.2]	25400 [7.4]	9400 [2.8]	14.50	12.00	1100 [519.1]	8387863
		RCF3621MTAM	36000 [10.6]	25900 [7.6]	10100 [3.0]	15.50	13.00	1100 [519.1]	8387889
		RCF3621STAM	34800 [10.2]	25400 [7.4]	9400 [2.8]	14.50	12.00	1100 [519.1]	8387918
RA1436AJ1	R802VA075317ZXA	RCF3617STAM	34800 [10.2]	25400 [7.4]	9400 [2.8]	14.50	12.00	1100 [519.1]	8053142
		RCF3621MTAM	36000 [10.6]	25900 [7.6]	10100 [3.0]	15.50	13.00	1100 [519.1]	8053151
		RCF3621STAM	34800 [10.2]	25400 [7.4]	9400 [2.8]	14.50	12.00	1100 [519.1]	8053164

[ ] Designates Metric Conversions

Performance Data @ AHRI Standard Conditions – Cooling (con't.)

R802V: Ultra 2-Stage 80% ECM Furnace Ratings									
Outdoor Unit	Furnace	Indoor Coil	Total Capacity BTU/H [kW]	Net Sensible BTU/H [kW]	Net Latent BTU/H [kW]	SEER	EER	Indoor CFM [L/s]	AHRI#
RA1436AJ1	R802VA075317ZXB	RCF3617STAM	34800 [10.2]	25400 [7.4]	9400 [2.8]	14.50	12.00	1100 [519.1]	8387864
		RCF3621MTAM	36000 [10.6]	25900 [7.6]	10100 [3.0]	15.50	13.00	1100 [519.1]	8387890
		RCF3621STAM	34800 [10.2]	25400 [7.4]	9400 [2.8]	14.50	12.00	1100 [519.1]	8387919
RA1436AJ1	R802VA075421MSA	RCF3621HTAM	36000 [10.6]	25900 [7.6]	10100 [3.0]	16.00	13.00	1250 [589.9]	8083472
		RCF3621MTAM	36000 [10.6]	25900 [7.6]	10100 [3.0]	16.00	13.00	1125 [530.9]	8053152
		RCF3621STAM	35200 [10.3]	25900 [7.6]	9300 [2.7]	15.10	12.50	1125 [530.9]	8053165
		RCF3624HTAM	36000 [10.6]	25900 [7.6]	10100 [3.0]	16.00	13.00	1250 [589.9]	8053175
		RCF3624MTAM	36000 [10.6]	25900 [7.6]	10100 [3.0]	16.00	13.00	1125 [530.9]	8053187
RA1436AJ1	R802VA075421MXA	RCF3621HTAM	36000 [10.6]	25900 [7.6]	10100 [3.0]	16.00	13.00	1250 [589.9]	8107771
		RCF3621MTAM	36000 [10.6]	25900 [7.6]	10100 [3.0]	16.00	13.00	1125 [530.9]	8107772
		RCF3621STAM	35200 [10.3]	25900 [7.6]	9300 [2.7]	15.10	12.50	1125 [530.9]	8107773
		RCF3624HTAM	36000 [10.6]	25900 [7.6]	10100 [3.0]	16.00	13.00	1250 [589.9]	8107774
		RCF3624MTAM	36000 [10.6]	25900 [7.6]	10100 [3.0]	16.00	13.00	1125 [530.9]	8107775
RA1436AJ1	R802VA075421ZSA	RCF3621MTAM	36000 [10.6]	25900 [7.6]	10100 [3.0]	15.50	13.00	1250 [589.9]	7600180
		RCF3621STAM	34800 [10.2]	25100 [7.4]	9700 [2.8]	15.10	12.50	1025 [483.7]	7600187
		RCF3624HTAM	36000 [10.6]	25900 [7.6]	10100 [3.0]	16.00	13.00	1250 [589.9]	7600191
		RCF3624MTAM	36000 [10.6]	25900 [7.6]	10100 [3.0]	15.50	13.00	1250 [589.9]	7600197
RA1436AJ1	R802VA075421ZSB	RCF3621MTAM	36000 [10.6]	25900 [7.6]	10100 [3.0]	15.50	13.00	1250 [589.9]	8387891
		RCF3621STAM	34800 [10.2]	25100 [7.4]	9700 [2.8]	15.00	12.50	1025 [483.7]	8387920
		RCF3624HTAM	36000 [10.6]	25900 [7.6]	10100 [3.0]	16.00	13.00	1250 [589.9]	8387947
		RCF3624MTAM	36000 [10.6]	25900 [7.6]	10100 [3.0]	15.50	13.00	1250 [589.9]	8387972
RA1436AJ1	R802VA075421ZXA	RCF3621MTAM	36000 [10.6]	25900 [7.6]	10100 [3.0]	15.50	13.00	1250 [589.9]	8053153
		RCF3621STAM	34800 [10.2]	25100 [7.4]	9700 [2.8]	15.10	12.50	1025 [483.7]	8053166
		RCF3624HTAM	36000 [10.6]	25900 [7.6]	10100 [3.0]	16.00	13.00	1250 [589.9]	8053176
		RCF3624MTAM	36000 [10.6]	25900 [7.6]	10100 [3.0]	15.50	13.00	1250 [589.9]	8053188
RA1436AJ1	R802VA075421ZXB	RCF3621MTAM	36000 [10.6]	25900 [7.6]	10100 [3.0]	15.50	13.00	1250 [589.9]	8387892
		RCF3621STAM	34800 [10.2]	25100 [7.4]	9700 [2.8]	15.00	12.50	1025 [483.7]	8387921
		RCF3624HTAM	36000 [10.6]	25900 [7.6]	10100 [3.0]	16.00	13.00	1250 [589.9]	8387948
		RCF3624MTAM	36000 [10.6]	25900 [7.6]	10100 [3.0]	15.50	13.00	1250 [589.9]	8387973
RA1436AJ1	R802VA100521MSA	RCF3621HTAM	36000 [10.6]	25900 [7.6]	10100 [3.0]	16.00	13.00	1250 [589.9]	8083473
		RCF3621MTAM	36000 [10.6]	25900 [7.6]	10100 [3.0]	16.00	13.00	1250 [589.9]	7600181
		RCF3621STAM	34800 [10.2]	27100 [7.9]	8700 [2.5]	15.50	13.00	1025 [483.7]	7600188
		RCF3624HTAM	36000 [10.6]	25900 [7.6]	10100 [3.0]	16.00	13.00	1250 [589.9]	7600192
		RCF3624MTAM	36000 [10.6]	25900 [7.6]	10100 [3.0]	16.00	13.00	1250 [589.9]	7600198
RA1436AJ1	R802VA100521MXA	RCF3621HTAM	36000 [10.6]	25900 [7.6]	10100 [3.0]	16.00	13.00	1250 [589.9]	8387875
		RCF3621MTAM	36000 [10.6]	25900 [7.6]	10100 [3.0]	16.00	13.00	1250 [589.9]	8053154
		RCF3621STAM	34800 [10.2]	27100 [7.9]	8700 [2.5]	15.50	13.00	1025 [483.7]	8053167
		RCF3624HTAM	36000 [10.6]	25900 [7.6]	10100 [3.0]	16.00	13.00	1250 [589.9]	8053177
		RCF3624MTAM	36000 [10.6]	25900 [7.6]	10100 [3.0]	16.00	13.00	1250 [589.9]	8053189
RA1436AJ1	R802VA100521ZSA	RCF3621MTAM	36000 [10.6]	25900 [7.6]	10100 [3.0]	16.00	13.00	1050 [495.5]	7600182
		RCF3621STAM	34800 [10.2]	25200 [7.4]	9600 [2.8]	15.10	12.50	1050 [495.5]	7600189
		RCF3624HTAM	36000 [10.6]	25900 [7.6]	10100 [3.0]	16.00	13.00	1200 [566.3]	7600193
		RCF3624MTAM	36000 [10.6]	25900 [7.6]	10100 [3.0]	16.00	13.00	1050 [495.5]	7600199
RA1436AJ1	R802VA100521ZSB	RCF3621MTAM	36000 [10.6]	25900 [7.6]	10100 [3.0]	15.50	13.00	1250 [589.9]	8387893
		RCF3621STAM	34800 [10.2]	25200 [7.4]	9600 [2.8]	15.10	12.50	1050 [495.5]	8387922
		RCF3624HTAM	36000 [10.6]	25900 [7.6]	10100 [3.0]	16.00	13.00	1250 [589.9]	8387949
		RCF3624MTAM	36000 [10.6]	25900 [7.6]	10100 [3.0]	15.50	13.00	1250 [589.9]	8387974

[ ] Designates Metric Conversions

## Performance Data @ AHRI Standard Conditions – Cooling (con't.)

R802V: Ultra 2-Stage 80% ECM Furnace Ratings									
Outdoor Unit	Furnace	Indoor Coil	Total Capacity BTU/H [kW]	Net Sensible BTU/H [kW]	Net Latent BTU/H [kW]	SEER	EER	Indoor CFM [L/s]	AHRI#
RA1436AJ1	R802VA100521ZXA	RCF3621MTAM	36000 [10.6]	25900 [7.6]	10100 [3.0]	16.00	13.00	1050 [495.5]	8053155
		RCF3621STAM	34800 [10.2]	25200 [7.4]	9600 [2.8]	15.10	12.50	1050 [495.5]	8053168
		RCF3624HTAM	36000 [10.6]	25900 [7.6]	10100 [3.0]	16.00	13.00	1200 [566.3]	8053178
		RCF3624MTAM	36000 [10.6]	25900 [7.6]	10100 [3.0]	16.00	13.00	1050 [495.5]	8053190
RA1436AJ1	R802VA100521ZXB	RCF3621MTAM	36000 [10.6]	25900 [7.6]	10100 [3.0]	15.50	13.00	1250 [589.9]	8387894
		RCF3621STAM	34800 [10.2]	25200 [7.4]	9600 [2.8]	15.10	12.50	1050 [495.5]	8387923
		RCF3624HTAM	36000 [10.6]	25900 [7.6]	10100 [3.0]	16.00	13.00	1250 [589.9]	8387950
		RCF3624MTAM	36000 [10.6]	25900 [7.6]	10100 [3.0]	15.50	13.00	1250 [589.9]	8387975
RA1436AJ1	R802VA125524MSA	RCF3624HTAM	36000 [10.6]	25900 [7.6]	10100 [3.0]	16.00	13.00	1250 [589.9]	7600194
		RCF3624MTAM	36000 [10.6]	25900 [7.6]	10100 [3.0]	16.00	13.00	1250 [589.9]	7600200
RA1436AJ1	R802VA125524MXA	RCF3624HTAM	36000 [10.6]	25900 [7.6]	10100 [3.0]	16.00	13.00	1250 [589.9]	8053179
		RCF3624MTAM	36000 [10.6]	25900 [7.6]	10100 [3.0]	16.00	13.00	1250 [589.9]	8053191
RA1436AJ1	R802VA125524ZSA	RCF3624HTAM	36000 [10.6]	25900 [7.6]	10100 [3.0]	16.00	13.00	1200 [566.3]	7600195
		RCF3624MTAM	36000 [10.6]	25900 [7.6]	10100 [3.0]	16.00	13.00	1150 [542.7]	7600201
RA1436AJ1	R802VA125524ZSB	RCF3624HTAM	36000 [10.6]	25900 [7.6]	10100 [3.0]	16.00	13.00	1250 [589.9]	8387951
		RCF3624MTAM	36000 [10.6]	25900 [7.6]	10100 [3.0]	16.00	13.00	1075 [507.3]	8387976
RA1436AJ1	R802VA125524ZXA	RCF3624HTAM	36000 [10.6]	25900 [7.6]	10100 [3.0]	16.00	13.00	1200 [566.3]	8053180
		RCF3624MTAM	36000 [10.6]	25900 [7.6]	10100 [3.0]	16.00	13.00	1150 [542.7]	8053192
RA1436AJ1	R802VA125524ZXB	RCF3624HTAM	36000 [10.6]	25900 [7.6]	10100 [3.0]	16.00	13.00	1250 [589.9]	8387952
		RCF3624MTAM	36000 [10.6]	25900 [7.6]	10100 [3.0]	16.00	13.00	1075 [507.3]	8387977
RA1436AJ1	R802VB075317ZSB	RCF3617STAM	34800 [10.2]	25400 [7.4]	9400 [2.8]	14.50	12.00	1100 [519.1]	8387865
		RCF3621MTAM	36000 [10.6]	25900 [7.6]	10100 [3.0]	15.50	13.00	1100 [519.1]	8387895
		RCF3621STAM	34800 [10.2]	25400 [7.4]	9400 [2.8]	14.50	12.00	1100 [519.1]	8387924
RA1436AJ1	R802VB075317ZXB	RCF3617STAM	34800 [10.2]	25400 [7.4]	9400 [2.8]	14.50	12.00	1100 [519.1]	8387866
		RCF3621MTAM	36000 [10.6]	25900 [7.6]	10100 [3.0]	15.50	13.00	1100 [519.1]	8387896
		RCF3621STAM	34800 [10.2]	25400 [7.4]	9400 [2.8]	14.50	12.00	1100 [519.1]	8387925
RA1436AJ1	R802VB075421ZSB	RCF3621MTAM	36000 [10.6]	25900 [7.6]	10100 [3.0]	15.50	13.00	1250 [589.9]	8387897
		RCF3621STAM	34800 [10.2]	25100 [7.4]	9700 [2.8]	15.00	12.50	1025 [483.7]	8387926
		RCF3624HTAM	36000 [10.6]	25900 [7.6]	10100 [3.0]	16.00	13.00	1250 [589.9]	8387953
		RCF3624MTAM	36000 [10.6]	25900 [7.6]	10100 [3.0]	15.50	13.00	1250 [589.9]	8387978
RA1436AJ1	R802VB075421ZXB	RCF3621MTAM	36000 [10.6]	25900 [7.6]	10100 [3.0]	15.50	13.00	1250 [589.9]	8387898
		RCF3621STAM	34800 [10.2]	25100 [7.4]	9700 [2.8]	15.00	12.50	1025 [483.7]	8387927
		RCF3624HTAM	36000 [10.6]	25900 [7.6]	10100 [3.0]	16.00	13.00	1250 [589.9]	8387954
		RCF3624MTAM	36000 [10.6]	25900 [7.6]	10100 [3.0]	15.50	13.00	1250 [589.9]	8387979
RA1436AJ1	R802VB100521ZSB	RCF3621MTAM	36000 [10.6]	25900 [7.6]	10100 [3.0]	15.50	13.00	1250 [589.9]	8387899
		RCF3621STAM	34800 [10.2]	25200 [7.4]	9600 [2.8]	15.10	12.50	1050 [495.5]	8387928
		RCF3624HTAM	36000 [10.6]	25900 [7.6]	10100 [3.0]	16.00	13.00	1250 [589.9]	8387955
		RCF3624MTAM	36000 [10.6]	25900 [7.6]	10100 [3.0]	15.50	13.00	1250 [589.9]	8387980
RA1436AJ1	R802VB100521ZXB	RCF3621MTAM	36000 [10.6]	25900 [7.6]	10100 [3.0]	15.50	13.00	1250 [589.9]	8387900
		RCF3621STAM	34800 [10.2]	25200 [7.4]	9600 [2.8]	15.10	12.50	1050 [495.5]	8387929
		RCF3624HTAM	36000 [10.6]	25900 [7.6]	10100 [3.0]	16.00	13.00	1250 [589.9]	8387956
		RCF3624MTAM	36000 [10.6]	25900 [7.6]	10100 [3.0]	15.50	13.00	1250 [589.9]	8387981
RA1436AJ1	R802VB125524ZSB	RCF3624HTAM	36000 [10.6]	25900 [7.6]	10100 [3.0]	16.00	13.00	1250 [589.9]	8387957
		RCF3624MTAM	36000 [10.6]	25900 [7.6]	10100 [3.0]	16.00	13.00	1075 [507.3]	8387982
RA1436AJ1	R802VB125524ZXB	RCF3624HTAM	36000 [10.6]	25900 [7.6]	10100 [3.0]	16.00	13.00	1250 [589.9]	8387958
		RCF3624MTAM	36000 [10.6]	25900 [7.6]	10100 [3.0]	16.00	13.00	1075 [507.3]	8387983
RA1442AJ1	R802VA050317MSA	RCF4821MTAM	41500 [12.2]	27900 [8.2]	13600 [4.0]	14.50	12.00	1175 [554.5]	8083553
		RCF4821STAM	40500 [11.9]	28800 [8.4]	11700 [3.4]	14.50	12.00	1100 [519.1]	7600519

[ ] Designates Metric Conversions

## Performance Data @ AHRI Standard Conditions – Cooling (con't.)

R802V: Ultra 2-Stage 80% ECM Furnace Ratings									
Outdoor Unit	Furnace	Indoor Coil	Total Capacity BTU/H [kW]	Net Sensible BTU/H [kW]	Net Latent BTU/H [kW]	SEER	EER	Indoor CFM [L/s]	AHRI#
RA1442AJ1	R802VA050317MXA	RCF4821MTAM	41500 [12.2]	27900 [8.2]	13600 [4.0]	14.50	12.00	1175 [554.5]	8388601
		RCF4821STAM	40500 [11.9]	28800 [8.4]	11700 [3.4]	14.50	12.00	1100 [519.1]	8053402
RA1442AJ1	R802VA075317MSA	RCF4821MTAM	42000 [12.3]	28300 [8.3]	13700 [4.0]	15.10	12.50	1150 [542.7]	8083554
		RCF4821STAM	41000 [12.0]	29200 [8.6]	11800 [3.5]	14.50	12.00	1150 [542.7]	7600520
RA1442AJ1	R802VA075317MXA	RCF4821MTAM	42000 [12.3]	28300 [8.3]	13700 [4.0]	15.10	12.50	1150 [542.7]	8388602
		RCF4821STAM	41000 [12.0]	29200 [8.6]	11800 [3.5]	14.50	12.00	1150 [542.7]	8053403
RA1442AJ1	R802VA075317ZSA	RCF4821MTAM	42000 [12.3]	28600 [8.4]	13400 [3.9]	15.00	12.50	1200 [566.3]	8388603
		RCF4821STAM	41000 [12.0]	29400 [8.6]	11600 [3.4]	14.50	12.00	1200 [566.3]	7600521
RA1442AJ1	R802VA075317ZSB	RCF4821MTAM	42000 [12.3]	28600 [8.4]	13400 [3.9]	15.00	12.50	1200 [566.3]	8388604
		RCF4821STAM	41000 [12.0]	29400 [8.6]	11600 [3.4]	14.50	12.00	1200 [566.3]	8388659
RA1442AJ1	R802VA075317ZXA	RCF4821MTAM	42000 [12.3]	28600 [8.4]	13400 [3.9]	15.00	12.50	1200 [566.3]	8388605
		RCF4821STAM	41000 [12.0]	29400 [8.6]	11600 [3.4]	14.50	12.00	1200 [566.3]	8053404
RA1442AJ1	R802VA075317ZXB	RCF4821MTAM	42000 [12.3]	28600 [8.4]	13400 [3.9]	15.00	12.50	1200 [566.3]	8388606
		RCF4821STAM	41000 [12.0]	29400 [8.6]	11600 [3.4]	14.50	12.00	1200 [566.3]	8388660
RA1442AJ1	R802VA075421MSA	RCF4821MTAM	42000 [12.3]	31600 [9.3]	10400 [3.0]	15.50	13.00	1250 [589.9]	8083555
		RCF4821STAM	41500 [12.2]	30200 [8.9]	11300 [3.3]	15.10	12.50	1250 [589.9]	8053405
		RCF4824HTAM	42000 [12.3]	31600 [9.3]	10400 [3.0]	15.50	13.00	1350 [637.1]	8053415
		RCF4824STAM	41500 [12.2]	30200 [8.9]	11300 [3.3]	15.10	12.50	1250 [589.9]	8053427
RA1442AJ1	R802VA075421MXA	RCF4821MTAM	42000 [12.3]	31600 [9.3]	10400 [3.0]	15.50	13.00	1250 [589.9]	8107795
		RCF4821STAM	41500 [12.2]	30200 [8.9]	11300 [3.3]	15.10	12.50	1250 [589.9]	8107796
		RCF4824HTAM	42000 [12.3]	31600 [9.3]	10400 [3.0]	15.50	13.00	1350 [637.1]	8107797
		RCF4824STAM	41500 [12.2]	30200 [8.9]	11300 [3.3]	15.10	12.50	1250 [589.9]	8107798
RA1442AJ1	R802VA075421ZSA	RCF4821MTAM	42000 [12.3]	31600 [9.3]	10400 [3.0]	15.10	12.50	1250 [589.9]	8388607
		RCF4821STAM	41000 [12.0]	30500 [8.9]	11000 [3.2]	15.00	12.50	1125 [530.9]	7600522
		RCF4824HTAM	42000 [12.3]	31600 [9.3]	10400 [3.0]	15.10	12.50	1400 [660.7]	7600526
		RCF4824STAM	41000 [12.0]	30500 [8.9]	11000 [3.2]	15.00	12.50	1125 [530.9]	7600532
RA1442AJ1	R802VA075421ZSB	RCF4821MTAM	42000 [12.3]	31600 [9.3]	10400 [3.0]	15.10	12.50	1250 [589.9]	8388608
		RCF4821STAM	41500 [12.2]	30500 [8.9]	11000 [3.2]	14.50	12.00	1300 [613.5]	8388661
		RCF4824HTAM	42000 [12.3]	31600 [9.3]	10400 [3.0]	15.50	13.00	1125 [530.9]	8388697
		RCF4824STAM	41500 [12.2]	30500 [8.9]	11000 [3.2]	14.50	12.00	1300 [613.5]	8388723
RA1442AJ1	R802VA075421ZXA	RCF4821MTAM	42000 [12.3]	31600 [9.3]	10400 [3.0]	15.10	12.50	1250 [589.9]	8388609
		RCF4821STAM	41000 [12.0]	30500 [8.9]	11000 [3.2]	15.00	12.50	1125 [530.9]	8053406
		RCF4824HTAM	42000 [12.3]	31600 [9.3]	10400 [3.0]	15.10	12.50	1400 [660.7]	8053416
		RCF4824STAM	41000 [12.0]	30500 [8.9]	11000 [3.2]	15.00	12.50	1125 [530.9]	8053428
RA1442AJ1	R802VA075421ZXB	RCF4821MTAM	42000 [12.3]	31600 [9.3]	10400 [3.0]	15.10	12.50	1250 [589.9]	8388610
		RCF4821STAM	41500 [12.2]	30500 [8.9]	11000 [3.2]	14.50	12.00	1300 [613.5]	8388662
		RCF4824HTAM	42000 [12.3]	31600 [9.3]	10400 [3.0]	15.50	13.00	1125 [530.9]	8388698
		RCF4824STAM	41500 [12.2]	30500 [8.9]	11000 [3.2]	14.50	12.00	1300 [613.5]	8388724
RA1442AJ1	R802VA100521MSA	RCF4821MTAM	42000 [12.3]	31600 [9.3]	10400 [3.0]	15.50	13.00	1400 [660.7]	8083556
		RCF4821STAM	42000 [12.3]	31600 [9.3]	10400 [3.0]	15.10	12.50	1400 [660.7]	7600523
		RCF4824HTAM	42000 [12.3]	31600 [9.3]	10400 [3.0]	15.50	13.00	1400 [660.7]	7600527
		RCF4824STAM	42000 [12.3]	31600 [9.3]	10400 [3.0]	15.10	12.50	1400 [660.7]	7600533
RA1442AJ1	R802VA100521MXA	RCF4821MTAM	42000 [12.3]	31600 [9.3]	10400 [3.0]	15.50	13.00	1400 [660.7]	8388611
		RCF4821STAM	42000 [12.3]	31600 [9.3]	10400 [3.0]	15.10	12.50	1400 [660.7]	8053407
		RCF4824HTAM	42000 [12.3]	31600 [9.3]	10400 [3.0]	15.50	13.00	1400 [660.7]	8053417
		RCF4824STAM	42000 [12.3]	31600 [9.3]	10400 [3.0]	15.10	12.50	1400 [660.7]	8053429

[ ] Designates Metric Conversions

## Performance Data @ AHRI Standard Conditions – Cooling (con't.)

R802V: Ultra 2-Stage 80% ECM Furnace Ratings									
Outdoor Unit	Furnace	Indoor Coil	Total Capacity BTU/H [kW]	Net Sensible BTU/H [kW]	Net Latent BTU/H [kW]	SEER	EER	Indoor CFM [L/s]	AHRI#
RA1442AJ1	R802VA100521ZSA	RCF4821MTAM	42000 [12.3]	31600 [9.3]	10400 [3.0]	15.10	12.50	1400 [660.7]	8388612
		RCF4821STAM	41500 [12.2]	29400 [8.6]	11600 [3.4]	15.00	12.50	1250 [589.9]	7600524
		RCF4824HTAM	42000 [12.3]	31600 [9.3]	10400 [3.0]	15.50	13.00	1250 [589.9]	7600528
		RCF4824STAM	41500 [12.2]	29400 [8.6]	11600 [3.4]	15.00	12.50	1250 [589.9]	7600534
RA1442AJ1	R802VA100521ZSB	RCF4821MTAM	42000 [12.3]	31600 [9.3]	10400 [3.0]	15.10	12.50	1400 [660.7]	8388613
		RCF4821STAM	41000 [12.0]	29400 [8.6]	11600 [3.4]	15.00	12.50	1200 [566.3]	8388663
		RCF4824HTAM	42000 [12.3]	31600 [9.3]	10400 [3.0]	15.50	13.00	1200 [566.3]	8388699
		RCF4824STAM	41000 [12.0]	29400 [8.6]	11600 [3.4]	15.00	12.50	1200 [566.3]	8388725
RA1442AJ1	R802VA100521ZXA	RCF4821MTAM	42000 [12.3]	31600 [9.3]	10400 [3.0]	15.10	12.50	1400 [660.7]	8388614
		RCF4821STAM	41500 [12.2]	29400 [8.6]	11600 [3.4]	15.00	12.50	1250 [589.9]	8053408
		RCF4824HTAM	42000 [12.3]	31600 [9.3]	10400 [3.0]	15.50	13.00	1250 [589.9]	8053418
		RCF4824STAM	41500 [12.2]	29400 [8.6]	11600 [3.4]	15.00	12.50	1250 [589.9]	8053430
RA1442AJ1	R802VA100521ZXB	RCF4821MTAM	42000 [12.3]	31600 [9.3]	10400 [3.0]	15.10	12.50	1400 [660.7]	8388615
		RCF4821STAM	41000 [12.0]	29400 [8.6]	11600 [3.4]	15.00	12.50	1200 [566.3]	8388664
		RCF4824HTAM	42000 [12.3]	31600 [9.3]	10400 [3.0]	15.50	13.00	1200 [566.3]	8388700
		RCF4824STAM	41000 [12.0]	29400 [8.6]	11600 [3.4]	15.00	12.50	1200 [566.3]	8388726
RA1442AJ1	R802VA125524MSA	RCF4824HTAM	42000 [12.3]	31600 [9.3]	10400 [3.0]	16.00	13.00	1250 [589.9]	7600529
		RCF4824STAM	42000 [12.3]	31600 [9.3]	10400 [3.0]	15.10	12.50	1475 [696.1]	7600535
RA1442AJ1	R802VA125524MXA	RCF4824HTAM	42000 [12.3]	31600 [9.3]	10400 [3.0]	16.00	13.00	1250 [589.9]	8053419
		RCF4824STAM	42000 [12.3]	31600 [9.3]	10400 [3.0]	15.10	12.50	1475 [696.1]	8053431
RA1442AJ1	R802VA125524ZSA	RCF4824HTAM	42000 [12.3]	31600 [9.3]	10400 [3.0]	15.50	13.00	1400 [660.7]	7600530
		RCF4824STAM	41500 [12.2]	29400 [8.6]	11600 [3.4]	15.10	12.50	1250 [589.9]	7600536
RA1442AJ1	R802VA125524ZSB	RCF4824HTAM	42000 [12.3]	31600 [9.3]	10400 [3.0]	15.50	13.00	1325 [625.3]	8388701
		RCF4824STAM	41000 [12.0]	29400 [8.6]	11600 [3.4]	15.10	12.50	1200 [566.3]	8388727
RA1442AJ1	R802VA125524ZXA	RCF4824HTAM	42000 [12.3]	31600 [9.3]	10400 [3.0]	15.50	13.00	1400 [660.7]	8053420
		RCF4824STAM	41500 [12.2]	29400 [8.6]	11600 [3.4]	15.10	12.50	1250 [589.9]	8053432
RA1442AJ1	R802VA125524ZXB	RCF4824HTAM	42000 [12.3]	31600 [9.3]	10400 [3.0]	15.50	13.00	1325 [625.3]	8388702
		RCF4824STAM	41000 [12.0]	29400 [8.6]	11600 [3.4]	15.10	12.50	1200 [566.3]	8388728
RA1442AJ1	R802VB075317ZSB	RCF4821MTAM	42000 [12.3]	28600 [8.4]	13400 [3.9]	15.00	12.50	1200 [566.3]	8388616
		RCF4821STAM	41000 [12.0]	29400 [8.6]	11600 [3.4]	14.50	12.00	1200 [566.3]	8388665
RA1442AJ1	R802VB075317ZXB	RCF4821MTAM	42000 [12.3]	28600 [8.4]	13400 [3.9]	15.00	12.50	1200 [566.3]	8388617
		RCF4821STAM	41000 [12.0]	29400 [8.6]	11600 [3.4]	14.50	12.00	1200 [566.3]	8388666
RA1442AJ1	R802VB075421ZSB	RCF4821MTAM	42000 [12.3]	31600 [9.3]	10400 [3.0]	15.10	12.50	1250 [589.9]	8388618
		RCF4821STAM	41500 [12.2]	30500 [8.9]	11000 [3.2]	14.50	12.00	1300 [613.5]	8388667
		RCF4824HTAM	42000 [12.3]	31600 [9.3]	10400 [3.0]	15.50	13.00	1125 [530.9]	8388703
		RCF4824STAM	41500 [12.2]	30500 [8.9]	11000 [3.2]	14.50	12.00	1300 [613.5]	8388729
RA1442AJ1	R802VB075421ZXB	RCF4821MTAM	42000 [12.3]	31600 [9.3]	10400 [3.0]	15.10	12.50	1250 [589.9]	8388619
		RCF4821STAM	41500 [12.2]	30500 [8.9]	11000 [3.2]	14.50	12.00	1300 [613.5]	8388668
		RCF4824HTAM	42000 [12.3]	31600 [9.3]	10400 [3.0]	15.50	13.00	1125 [530.9]	8388704
		RCF4824STAM	41500 [12.2]	30500 [8.9]	11000 [3.2]	14.50	12.00	1300 [613.5]	8388730
RA1442AJ1	R802VB100521ZSB	RCF4821MTAM	42000 [12.3]	31600 [9.3]	10400 [3.0]	15.10	12.50	1400 [660.7]	8388620
		RCF4821STAM	41000 [12.0]	29400 [8.6]	11600 [3.4]	15.00	12.50	1200 [566.3]	8388669
		RCF4824HTAM	42000 [12.3]	31600 [9.3]	10400 [3.0]	15.50	13.00	1200 [566.3]	8388705
		RCF4824STAM	41000 [12.0]	29400 [8.6]	11600 [3.4]	15.00	12.50	1200 [566.3]	8388731
RA1442AJ1	R802VB100521ZXB	RCF4821MTAM	42000 [12.3]	31600 [9.3]	10400 [3.0]	15.10	12.50	1400 [660.7]	8388621
		RCF4821STAM	41000 [12.0]	29400 [8.6]	11600 [3.4]	15.00	12.50	1200 [566.3]	8388670
		RCF4824HTAM	42000 [12.3]	31600 [9.3]	10400 [3.0]	15.50	13.00	1200 [566.3]	8388706
		RCF4824STAM	41000 [12.0]	29400 [8.6]	11600 [3.4]	15.00	12.50	1200 [566.3]	8388732

[ ] Designates Metric Conversions



## Performance Data @ AHRI Standard Conditions – Cooling (con't.)

R802V: Ultra 2-Stage 80% ECM Furnace Ratings									
Outdoor Unit	Furnace	Indoor Coil	Total Capacity BTU/H [kW]	Net Sensible BTU/H [kW]	Net Latent BTU/H [kW]	SEER	EER	Indoor CFM [L/s]	AHRI#
RA1442AJ1	R802VB125524ZSB	RCF4824HTAM	42000 [12.3]	31600 [9.3]	10400 [3.0]	15.50	13.00	1325 [625.3]	8388707
		RCF4824STAM	41000 [12.0]	29400 [8.6]	11600 [3.4]	15.10	12.50	1200 [566.3]	8388733
RA1442AJ1	R802VB125524ZXB	RCF4824HTAM	42000 [12.3]	31600 [9.3]	10400 [3.0]	15.50	13.00	1325 [625.3]	8388708
		RCF4824STAM	41000 [12.0]	29400 [8.6]	11600 [3.4]	15.10	12.50	1200 [566.3]	8388734
RA1448AJ1	R802VA075317ZSA	RCF4821MTAM	46500 [13.6]	31500 [9.2]	15000 [4.4]	14.50	12.00	1325 [625.3]	8389345
		RCF4821STAM	45500 [13.3]	32500 [9.5]	13000 [3.8]	14.00	11.70	1325 [625.3]	7600869
RA1448AJ1	R802VA075317ZSB	RCF4821MTAM	46500 [13.6]	31500 [9.2]	15000 [4.4]	14.50	12.00	1325 [625.3]	8389346
		RCF4821STAM	45500 [13.3]	32500 [9.5]	13000 [3.8]	14.00	11.70	1325 [625.3]	8389393
RA1448AJ1	R802VA075317ZXA	RCF4821MTAM	46500 [13.6]	31500 [9.2]	15000 [4.4]	14.50	12.00	1325 [625.3]	8389347
		RCF4821STAM	45500 [13.3]	32500 [9.5]	13000 [3.8]	14.00	11.70	1325 [625.3]	8053664
RA1448AJ1	R802VA075317ZXB	RCF4821MTAM	46500 [13.6]	31500 [9.2]	15000 [4.4]	14.50	12.00	1325 [625.3]	8389348
		RCF4821STAM	45500 [13.3]	32500 [9.5]	13000 [3.8]	14.00	11.70	1325 [625.3]	8389394
RA1448AJ1	R802VA075421MSA	RCF4821MTAM	46500 [13.6]	33000 [9.7]	14500 [4.2]	15.10	12.50	1250 [589.9]	8083633
		RCF4821STAM	46500 [13.6]	32000 [9.4]	13500 [4.0]	14.50	12.00	1475 [696.1]	8053665
		RCF4824HTAM	48000 [14.1]	33800 [9.9]	14200 [4.2]	15.10	12.50	1475 [696.1]	8053679
		RCF4824STAM	46500 [13.6]	32000 [9.4]	13500 [4.0]	14.50	12.00	1475 [696.1]	8053695
RA1448AJ1	R802VA075421MXA	RCF4821MTAM	46500 [13.6]	33000 [9.7]	14500 [4.2]	15.10	12.50	1250 [589.9]	8107820
		RCF4821STAM	46500 [13.6]	32000 [9.4]	13500 [4.0]	14.50	12.00	1475 [696.1]	8107821
		RCF4824HTAM	48000 [14.1]	33800 [9.9]	14200 [4.2]	15.10	12.50	1475 [696.1]	8107822
		RCF4824STAM	46500 [13.6]	32000 [9.4]	13500 [4.0]	14.50	12.00	1475 [696.1]	8107823
RA1448AJ1	R802VA075421ZSA	RCF4821MTAM	47000 [13.8]	32700 [9.6]	14300 [4.2]	14.50	12.00	1450 [684.3]	8389349
		RCF4821STAM	45500 [13.3]	32300 [9.5]	13200 [3.9]	14.50	12.00	1250 [589.9]	7600870
		RCF4824HTAM	47500 [13.9]	31900 [9.3]	15100 [4.4]	14.50	12.00	1450 [684.3]	7600873
		RCF4824STAM	45500 [13.3]	32300 [9.5]	13200 [3.9]	14.50	12.00	1250 [589.9]	7600879
RA1448AJ1	R802VA075421ZSB	RCF4821MTAM	47000 [13.8]	32700 [9.6]	14300 [4.2]	14.50	12.00	1450 [684.3]	8389350
		RCF4821STAM	45500 [13.3]	32300 [9.5]	13200 [3.9]	14.50	12.00	1300 [613.5]	8389395
		RCF4824HTAM	47000 [13.8]	31900 [9.3]	15100 [4.4]	15.00	12.50	1300 [613.5]	8389429
		RCF4824STAM	45500 [13.3]	32300 [9.5]	13200 [3.9]	14.50	12.00	1300 [613.5]	8389455
RA1448AJ1	R802VA075421ZXA	RCF4821MTAM	47000 [13.8]	32700 [9.6]	14300 [4.2]	14.50	12.00	1450 [684.3]	8389351
		RCF4821STAM	45500 [13.3]	32300 [9.5]	13200 [3.9]	14.50	12.00	1250 [589.9]	8053666
		RCF4824HTAM	47500 [13.9]	31900 [9.3]	15100 [4.4]	14.50	12.00	1450 [684.3]	8053680
		RCF4824STAM	45500 [13.3]	32300 [9.5]	13200 [3.9]	14.50	12.00	1250 [589.9]	8053696
RA1448AJ1	R802VA075421ZXB	RCF4821MTAM	47000 [13.8]	32700 [9.6]	14300 [4.2]	14.50	12.00	1450 [684.3]	8389352
		RCF4821STAM	45500 [13.3]	32300 [9.5]	13200 [3.9]	14.50	12.00	1300 [613.5]	8389396
		RCF4824HTAM	47000 [13.8]	31900 [9.3]	15100 [4.4]	15.00	12.50	1300 [613.5]	8389430
		RCF4824STAM	45500 [13.3]	32300 [9.5]	13200 [3.9]	14.50	12.00	1300 [613.5]	8389456
RA1448AJ1	R802VA100521MSA	RCF4821MTAM	47000 [13.8]	31000 [9.1]	15500 [4.5]	15.10	12.50	1400 [660.7]	8083635
		RCF4821STAM	45500 [13.3]	33900 [9.9]	12600 [3.7]	15.10	12.50	1250 [589.9]	7600871
		RCF4824HTAM	48000 [14.1]	33500 [9.8]	14500 [4.2]	15.50	13.00	1400 [660.7]	7600874
		RCF4824STAM	45500 [13.3]	33900 [9.9]	12600 [3.7]	15.10	12.50	1250 [589.9]	7600880
RA1448AJ1	R802VA100521MXA	RCF4821MTAM	46500 [13.6]	31000 [9.1]	15500 [4.5]	15.50	13.00	1250 [589.9]	8389353
		RCF4821STAM	45500 [13.3]	33900 [9.9]	12600 [3.7]	15.10	12.50	1250 [589.9]	8053667
		RCF4824HTAM	48000 [14.1]	33500 [9.8]	14500 [4.2]	15.50	13.00	1400 [660.7]	8053681
		RCF4824STAM	45500 [13.3]	33900 [9.9]	12600 [3.7]	15.10	12.50	1250 [589.9]	8053698
RA1448AJ1	R802VA100521ZSA	RCF4821MTAM	46500 [13.6]	31000 [9.1]	15500 [4.5]	15.10	12.50	1250 [589.9]	8389354
		RCF4821STAM	46500 [13.6]	34200 [10.0]	12300 [3.6]	14.50	12.00	1450 [684.3]	7600872
		RCF4824HTAM	47000 [13.8]	33800 [9.9]	14200 [4.2]	15.10	12.50	1300 [613.5]	7600875
		RCF4824STAM	46500 [13.6]	34200 [10.0]	12300 [3.6]	14.50	12.00	1450 [684.3]	7600881

[ ] Designates Metric Conversions

## Performance Data @ AHRI Standard Conditions – Cooling (con't.)

R802V: Ultra 2-Stage 80% ECM Furnace Ratings									
Outdoor Unit	Furnace	Indoor Coil	Total Capacity BTU/H [kW]	Net Sensible BTU/H [kW]	Net Latent BTU/H [kW]	SEER	EER	Indoor CFM [L/s]	AHRI#
RA1448AJ1	R802VA100521ZSB	RCF4821MTAM	46500 [13.6]	31000 [9.1]	15500 [4.5]	15.10	12.50	1250 [589.9]	8389355
		RCF4821STAM	46500 [13.6]	34200 [10.0]	12300 [3.6]	14.50	12.00	1450 [684.3]	8389397
		RCF4824HTAM	48000 [14.1]	33800 [9.9]	14200 [4.2]	15.10	12.50	1450 [684.3]	8389431
		RCF4824STAM	46500 [13.6]	34200 [10.0]	12300 [3.6]	14.50	12.00	1450 [684.3]	8389457
RA1448AJ1	R802VA100521ZXA	RCF4821MTAM	46500 [13.6]	31000 [9.1]	15500 [4.5]	15.10	12.50	1250 [589.9]	8389356
		RCF4821STAM	46500 [13.6]	34200 [10.0]	12300 [3.6]	14.50	12.00	1450 [684.3]	8053669
		RCF4824HTAM	47000 [13.8]	33800 [9.9]	14200 [4.2]	15.10	12.50	1300 [613.5]	8053682
		RCF4824STAM	46500 [13.6]	34200 [10.0]	12300 [3.6]	14.50	12.00	1450 [684.3]	8053699
RA1448AJ1	R802VA100521ZXB	RCF4821MTAM	46500 [13.6]	31000 [9.1]	15500 [4.5]	15.10	12.50	1250 [589.9]	8389357
		RCF4821STAM	46500 [13.6]	34200 [10.0]	12300 [3.6]	14.50	12.00	1450 [684.3]	8389398
		RCF4824HTAM	48000 [14.1]	33800 [9.9]	14200 [4.2]	15.10	12.50	1450 [684.3]	8389432
		RCF4824STAM	46500 [13.6]	34200 [10.0]	12300 [3.6]	14.50	12.00	1450 [684.3]	8389458
RA1448AJ1	R802VA125524MSA	RCF4824HTAM	48000 [14.1]	33800 [9.9]	14200 [4.2]	15.50	13.00	1400 [660.7]	7600876
		RCF4824STAM	46000 [13.5]	33900 [9.9]	12600 [3.7]	15.10	12.50	1350 [637.1]	7600882
RA1448AJ1	R802VA125524MXA	RCF4824HTAM	48000 [14.1]	33800 [9.9]	14200 [4.2]	15.50	13.00	1400 [660.7]	8053684
		RCF4824STAM	46000 [13.5]	33900 [9.9]	12600 [3.7]	15.10	12.50	1350 [637.1]	8053701
RA1448AJ1	R802VA125524ZSA	RCF4824HTAM	48000 [14.1]	33800 [9.9]	14200 [4.2]	15.10	12.50	1450 [684.3]	7600877
		RCF4824STAM	46500 [13.6]	34600 [10.1]	11900 [3.5]	14.50	12.00	1500 [707.9]	7600883
RA1448AJ1	R802VA125524ZSB	RCF4824HTAM	48000 [14.1]	33800 [9.9]	14200 [4.2]	15.10	12.50	1450 [684.3]	8389433
		RCF4824STAM	46500 [13.6]	34600 [10.1]	11900 [3.5]	14.50	12.00	1500 [707.9]	8389459
RA1448AJ1	R802VA125524ZXA	RCF4824HTAM	48000 [14.1]	33800 [9.9]	14200 [4.2]	15.10	12.50	1450 [684.3]	8053685
		RCF4824STAM	46500 [13.6]	34600 [10.1]	11900 [3.5]	14.50	12.00	1500 [707.9]	8053702
RA1448AJ1	R802VA125524ZXB	RCF4824HTAM	48000 [14.1]	33800 [9.9]	14200 [4.2]	15.10	12.50	1450 [684.3]	8389434
		RCF4824STAM	46500 [13.6]	34600 [10.1]	11900 [3.5]	14.50	12.00	1500 [707.9]	8389460
RA1448AJ1	R802VB075317ZSB	RCF4821MTAM	46500 [13.6]	31500 [9.2]	15000 [4.4]	14.50	12.00	1325 [625.3]	8389358
		RCF4821STAM	45500 [13.3]	32500 [9.5]	13000 [3.8]	14.00	11.70	1325 [625.3]	8389399
RA1448AJ1	R802VB075317ZXB	RCF4821MTAM	46500 [13.6]	31500 [9.2]	15000 [4.4]	14.50	12.00	1325 [625.3]	8389359
		RCF4821STAM	45500 [13.3]	32500 [9.5]	13000 [3.8]	14.00	11.70	1325 [625.3]	8389400
RA1448AJ1	R802VB075421ZSB	RCF4821MTAM	47000 [13.8]	32700 [9.6]	14300 [4.2]	14.50	12.00	1450 [684.3]	8389360
		RCF4821STAM	45500 [13.3]	32300 [9.5]	13200 [3.9]	14.50	12.00	1300 [613.5]	8389401
		RCF4824HTAM	47000 [13.8]	31900 [9.3]	15100 [4.4]	15.00	12.50	1300 [613.5]	8389435
		RCF4824STAM	45500 [13.3]	32300 [9.5]	13200 [3.9]	14.50	12.00	1300 [613.5]	8389461
RA1448AJ1	R802VB075421ZXB	RCF4821MTAM	47000 [13.8]	32700 [9.6]	14300 [4.2]	14.50	12.00	1450 [684.3]	8389361
		RCF4821STAM	45500 [13.3]	32300 [9.5]	13200 [3.9]	14.50	12.00	1300 [613.5]	8389402
		RCF4824HTAM	47000 [13.8]	31900 [9.3]	15100 [4.4]	15.00	12.50	1300 [613.5]	8389436
		RCF4824STAM	45500 [13.3]	32300 [9.5]	13200 [3.9]	14.50	12.00	1300 [613.5]	8389462
RA1448AJ1	R802VB100521ZSB	RCF4821MTAM	46500 [13.6]	31000 [9.1]	15500 [4.5]	15.10	12.50	1250 [589.9]	8389362
		RCF4821STAM	46500 [13.6]	34200 [10.0]	12300 [3.6]	14.50	12.00	1450 [684.3]	8389403
		RCF4824HTAM	48000 [14.1]	33800 [9.9]	14200 [4.2]	15.10	12.50	1450 [684.3]	8389437
		RCF4824STAM	46500 [13.6]	34200 [10.0]	12300 [3.6]	14.50	12.00	1450 [684.3]	8389463
RA1448AJ1	R802VB100521ZXB	RCF4821MTAM	46500 [13.6]	31000 [9.1]	15500 [4.5]	15.10	12.50	1250 [589.9]	8389363
		RCF4821STAM	46500 [13.6]	34200 [10.0]	12300 [3.6]	14.50	12.00	1450 [684.3]	8389404
		RCF4824HTAM	48000 [14.1]	33800 [9.9]	14200 [4.2]	15.10	12.50	1450 [684.3]	8389438
		RCF4824STAM	46500 [13.6]	34200 [10.0]	12300 [3.6]	14.50	12.00	1450 [684.3]	8389464
RA1448AJ1	R802VB125524ZSB	RCF4824HTAM	48000 [14.1]	33800 [9.9]	14200 [4.2]	15.10	12.50	1450 [684.3]	8389439
		RCF4824STAM	46500 [13.6]	34600 [10.1]	11900 [3.5]	14.50	12.00	1500 [707.9]	8389465
RA1448AJ1	R802VB125524ZXB	RCF4824HTAM	48000 [14.1]	33800 [9.9]	14200 [4.2]	15.10	12.50	1450 [684.3]	8389440
		RCF4824STAM	46500 [13.6]	34600 [10.1]	11900 [3.5]	14.50	12.00	1500 [707.9]	8389466

[ ] Designates Metric Conversions

## Performance Data @ AHRI Standard Conditions – Cooling (con't.)

R802V: Ultra 2-Stage 80% ECM Furnace Ratings									
Outdoor Unit	Furnace	Indoor Coil	Total Capacity BTU/H [kW]	Net Sensible BTU/H [kW]	Net Latent BTU/H [kW]	SEER	EER	Indoor CFM [L/s]	AHRI#
RA1460AJ1	R802VA075421MSA	RCF6021STAM	55500 [16.3]	37500 [11.0]	18000 [5.3]	14.00	11.70	1550 [731.5]	8083685
		RCF6024HTAM	56500 [16.6]	39100 [11.5]	17900 [5.2]	14.50	12.00	1425 [672.5]	8053890
		RCF6024STAM	56500 [16.6]	39100 [11.5]	17900 [5.2]	14.50	12.00	1425 [672.5]	8053906
RA1460AJ1	R802VA075421MXA	RCF6021STAM	55500 [16.3]	37500 [11.0]	18000 [5.3]	14.00	11.70	1550 [731.5]	8107841
		RCF6024HTAM	56500 [16.6]	39100 [11.5]	17900 [5.2]	14.50	12.00	1425 [672.5]	8107842
		RCF6024STAM	56500 [16.6]	39100 [11.5]	17900 [5.2]	14.50	12.00	1425 [672.5]	8107843
RA1460AJ1	R802VA075421ZSA	RCF6024HTAM	57500 [16.9]	39700 [11.6]	17300 [5.1]	14.00	11.70	1600 [755.1]	7601039
		RCF6024STAM	57500 [16.9]	39700 [11.6]	17300 [5.1]	14.00	11.70	1600 [755.1]	7601045
RA1460AJ1	R802VA075421ZSB	RCF6024HTAM	57000 [16.7]	39700 [11.6]	17300 [5.1]	14.00	11.70	1550 [731.5]	8389866
		RCF6024STAM	57000 [16.7]	39700 [11.6]	17300 [5.1]	14.00	11.70	1550 [731.5]	8389893
RA1460AJ1	R802VA075421ZXA	RCF6024HTAM	57500 [16.9]	39700 [11.6]	17300 [5.1]	14.00	11.70	1600 [755.1]	8053891
		RCF6024STAM	57500 [16.9]	39700 [11.6]	17300 [5.1]	14.00	11.70	1600 [755.1]	8053907
RA1460AJ1	R802VA075421ZXB	RCF6024HTAM	57000 [16.7]	39700 [11.6]	17300 [5.1]	14.00	11.70	1550 [731.5]	8389867
		RCF6024STAM	57000 [16.7]	39700 [11.6]	17300 [5.1]	14.00	11.70	1550 [731.5]	8389894
RA1460AJ1	R802VA100521MSA	RCF6021STAM	56000 [16.4]	35200 [10.3]	19300 [5.7]	14.00	11.70	1725 [814.1]	8083686
		RCF6024HTAM	58500 [17.1]	40400 [11.8]	17100 [5.0]	14.50	12.00	1725 [814.1]	7601040
		RCF6024STAM	58500 [17.1]	40400 [11.8]	17100 [5.0]	14.50	12.00	1725 [814.1]	7601046
RA1460AJ1	R802VA100521MXA	RCF6021STAM	54500 [16.0]	35200 [10.3]	19300 [5.7]	14.50	12.00	1400 [660.7]	8389852
		RCF6024HTAM	58500 [17.1]	40400 [11.8]	17100 [5.0]	14.50	12.00	1725 [814.1]	8053892
		RCF6024STAM	58500 [17.1]	40400 [11.8]	17100 [5.0]	14.50	12.00	1725 [814.1]	8053909
RA1460AJ1	R802VA100521ZSA	RCF6024HTAM	57500 [16.9]	40600 [11.9]	16900 [5.0]	14.50	12.00	1500 [707.9]	7601041
		RCF6024STAM	57500 [16.9]	40600 [11.9]	16900 [5.0]	14.50	12.00	1500 [707.9]	7601047
RA1460AJ1	R802VA100521ZSB	RCF6024HTAM	57500 [16.9]	40600 [11.9]	16900 [5.0]	14.00	11.70	1600 [755.1]	8389868
		RCF6024STAM	57500 [16.9]	40600 [11.9]	16900 [5.0]	14.00	11.70	1600 [755.1]	8389895
RA1460AJ1	R802VA100521ZXA	RCF6024HTAM	57500 [16.9]	40600 [11.9]	16900 [5.0]	14.50	12.00	1500 [707.9]	8053893
		RCF6024STAM	57500 [16.9]	40600 [11.9]	16900 [5.0]	14.50	12.00	1500 [707.9]	8053910
RA1460AJ1	R802VA100521ZXB	RCF6024HTAM	57500 [16.9]	40600 [11.9]	16900 [5.0]	14.00	11.70	1600 [755.1]	8389869
		RCF6024STAM	57500 [16.9]	40600 [11.9]	16900 [5.0]	14.00	11.70	1600 [755.1]	8389896
RA1460AJ1	R802VA125524MSA	RCF6024HTAM	59000 [17.3]	40400 [11.8]	17100 [5.0]	14.50	12.00	1775 [837.7]	7601042
		RCF6024STAM	59000 [17.3]	40400 [11.8]	17100 [5.0]	14.50	12.00	1775 [837.7]	7601048
RA1460AJ1	R802VA125524MXA	RCF6024HTAM	59000 [17.3]	40400 [11.8]	17100 [5.0]	14.50	12.00	1775 [837.7]	8053894
		RCF6024STAM	59000 [17.3]	40400 [11.8]	17100 [5.0]	14.50	12.00	1775 [837.7]	8053912
RA1460AJ1	R802VA125524ZSA	RCF6024HTAM	57500 [16.9]	39900 [11.7]	17100 [5.0]	14.50	12.00	1500 [707.9]	7601043
		RCF6024STAM	57500 [16.9]	39900 [11.7]	17100 [5.0]	14.50	12.00	1500 [707.9]	7601049
RA1460AJ1	R802VA125524ZSB	RCF6024HTAM	57000 [16.7]	39900 [11.7]	17100 [5.0]	14.00	11.70	1575 [743.3]	8389870
		RCF6024STAM	57000 [16.7]	39900 [11.7]	17100 [5.0]	14.00	11.70	1575 [743.3]	8389897
RA1460AJ1	R802VA125524ZXA	RCF6024HTAM	57500 [16.9]	39900 [11.7]	17100 [5.0]	14.50	12.00	1500 [707.9]	8053895
		RCF6024STAM	57500 [16.9]	39900 [11.7]	17100 [5.0]	14.50	12.00	1500 [707.9]	8053913
RA1460AJ1	R802VA125524ZXB	RCF6024HTAM	57000 [16.7]	39900 [11.7]	17100 [5.0]	14.00	11.70	1575 [743.3]	8389871
		RCF6024STAM	57000 [16.7]	39900 [11.7]	17100 [5.0]	14.00	11.70	1575 [743.3]	8389898
RA1460AJ1	R802VB075421ZSB	RCF6024HTAM	57000 [16.7]	39700 [11.6]	17300 [5.1]	14.00	11.70	1550 [731.5]	8389872
		RCF6024STAM	57000 [16.7]	39700 [11.6]	17300 [5.1]	14.00	11.70	1550 [731.5]	8389899
RA1460AJ1	R802VB075421ZXB	RCF6024HTAM	57000 [16.7]	39700 [11.6]	17300 [5.1]	14.00	11.70	1550 [731.5]	8389873
		RCF6024STAM	57000 [16.7]	39700 [11.6]	17300 [5.1]	14.00	11.70	1550 [731.5]	8389900
RA1460AJ1	R802VB100521ZSB	RCF6024HTAM	57500 [16.9]	40600 [11.9]	16900 [5.0]	14.00	11.70	1600 [755.1]	8389874
		RCF6024STAM	57500 [16.9]	40600 [11.9]	16900 [5.0]	14.00	11.70	1600 [755.1]	8389901
RA1460AJ1	R802VB100521ZXB	RCF6024HTAM	57500 [16.9]	40600 [11.9]	16900 [5.0]	14.00	11.70	1600 [755.1]	8389875
		RCF6024STAM	57500 [16.9]	40600 [11.9]	16900 [5.0]	14.00	11.70	1600 [755.1]	8389902

[ ] Designates Metric Conversions

## Performance Data @ AHRI Standard Conditions – Cooling (con't.)

R802V: Ultra 2-Stage 80% ECM Furnace Ratings									
Outdoor Unit	Furnace	Indoor Coil	Total Capacity BTU/H [kW]	Net Sensible BTU/H [kW]	Net Latent BTU/H [kW]	SEER	EER	Indoor CFM [L/s]	AHRI#
RA1460AJ1	R802VB125524ZSB	RCF6024HTAM	57000 [16.7]	39900 [11.7]	17100 [5.0]	14.00	11.70	1575 [743.3]	8389876
		RCF6024STAM	57000 [16.7]	39900 [11.7]	17100 [5.0]	14.00	11.70	1575 [743.3]	8389903
RA1460AJ1	R802VB125524ZXB	RCF6024HTAM	57000 [16.7]	39900 [11.7]	17100 [5.0]	14.00	11.70	1575 [743.3]	8389877
		RCF6024STAM	57000 [16.7]	39900 [11.7]	17100 [5.0]	14.00	11.70	1575 [743.3]	8389904

[ ] Designates Metric Conversions

## Performance Data @ AHRI Standard Conditions – Cooling (con't.)

R95T: 95% AFUE single-stage Constant Torque Multipoise Gas Furnace Ratings									
Outdoor Unit	Furnace	Indoor Coil	Total Capacity BTU/H [kW]	Net Sensible BTU/H [kW]	Net Latent BTU/H [kW]	SEER	EER	Indoor CFM [L/s]	AHRI#
RA1418AJ1	R95TA0401317MSA	RCF2417HTAM	18000 [5.3]	13700 [4.0]	4300 [1.3]	16.00	13.00	650 [306.8]	7606939
		RCF2417MTAM	18000 [5.3]	13700 [4.0]	4300 [1.3]	16.00	13.00	650 [306.8]	7606941
		RCF2417STAM	18000 [5.3]	13700 [4.0]	4300 [1.3]	15.50	13.00	650 [306.8]	7606943
		RCF2421MTAM	18000 [5.3]	13700 [4.0]	4300 [1.3]	16.00	13.00	650 [306.8]	7606947
RA1418AJ1	R95TA0601317MSA	RCF2417MTAM	18700 [5.5]	14800 [4.3]	3900 [1.1]	15.50	13.00	700 [330.4]	7490533
		RCF2417STAM	18700 [5.5]	14500 [4.2]	4200 [1.2]	15.50	13.00	700 [330.4]	7490547
		RCF2421MTAM	18700 [5.5]	14800 [4.3]	3900 [1.1]	15.50	13.00	700 [330.4]	7490581
RA1418AJ1	R95TA0401317MSA	RCF2421HTAM	18000 [5.3]	13700 [4.0]	4300 [1.3]	16.00	13.00	650 [306.8]	7606945
RA1418AJ1	R95TA0601317MSA	RCF2421HTAM	18700 [5.5]	14800 [4.3]	3900 [1.1]	15.50	13.00	700 [330.4]	7490561
RA1424AJ1	R95TA0401317MSA	RCF2417HTAM	24000 [7.0]	18100 [5.3]	5900 [1.7]	16.00	13.00	875 [413.0]	7607051
		RCF2417MTAM	24000 [7.0]	18100 [5.3]	5900 [1.7]	15.50	13.00	875 [413.0]	7607052
		RCF2417STAM	24000 [7.0]	18100 [5.3]	5900 [1.7]	15.10	12.50	850 [401.2]	7607053
		RCF2421MTAM	24000 [7.0]	18100 [5.3]	5900 [1.7]	15.50	13.00	875 [413.0]	7607055
RA1424AJ1	R95TA0601317MSA	RCF2417HTAM	24000 [7.0]	16500 [4.8]	7300 [2.1]	15.50	13.00	850 [401.2]	7490732
		RCF2417MTAM	24000 [7.0]	16400 [4.8]	7400 [2.2]	15.50	13.00	850 [401.2]	7490748
		RCF2417STAM	24000 [7.0]	17900 [5.2]	6100 [1.8]	15.10	12.50	700 [330.4]	7490764
		RCF2421MTAM	24000 [7.0]	16400 [4.8]	7400 [2.2]	15.50	13.00	850 [401.2]	7490806
RA1424AJ1	R95TA0701317MSA	RCF2417HTAM	24000 [7.0]	18100 [5.3]	5900 [1.7]	15.50	13.00	850 [401.2]	7490733
		RCF2417MTAM	24000 [7.0]	18100 [5.3]	5900 [1.7]	15.50	13.00	850 [401.2]	7490749
		RCF2417STAM	24000 [7.0]	18100 [5.3]	5900 [1.7]	14.50	12.00	825 [389.4]	7490765
		RCF2421MTAM	24000 [7.0]	18100 [5.3]	5900 [1.7]	15.50	13.00	850 [401.2]	7490807
RA1424AJ1	R95TA0401317MSA	RCF2421HTAM	24000 [7.0]	18100 [5.3]	5900 [1.7]	15.50	13.00	875 [413.0]	7607054
RA1424AJ1	R95TA0601317MSA	RCF2421HTAM	24000 [7.0]	16400 [4.8]	7400 [2.2]	15.50	13.00	850 [401.2]	7490780
RA1424AJ1	R95TA0701317MSA	RCF2421HTAM	24000 [7.0]	18100 [5.3]	5900 [1.7]	15.50	13.00	850 [401.2]	7490781
RA1430AJ1	R95TA0401317MSA	RCF3617STAM	28600 [8.4]	21200 [6.2]	7400 [2.2]	15.10	12.50	875 [413.0]	8387173
		RCF3621HTAM	30000 [8.8]	22700 [6.7]	7300 [2.1]	16.00	13.00	1000 [471.9]	8083396
		RCF3621MTAM	30000 [8.8]	22700 [6.7]	7300 [2.1]	16.00	13.00	950 [448.4]	8387207
		RCF3621STAM	29000 [8.5]	21800 [6.4]	7200 [2.1]	15.10	12.50	950 [448.4]	8387236
RA1430AJ1	R95TA0601317MSA	RCF3617STAM	28400 [8.3]	21200 [6.2]	7400 [2.2]	15.00	12.50	850 [401.2]	7490967
		RCF3621HTAM	30000 [8.8]	22700 [6.7]	7300 [2.1]	16.00	13.00	925 [436.6]	8083397
		RCF3621MTAM	30000 [8.8]	22700 [6.7]	7300 [2.1]	15.50	13.00	900 [424.8]	7490983
		RCF3621STAM	28600 [8.4]	21200 [6.2]	7400 [2.2]	15.00	12.50	900 [424.8]	7491011
RA1430AJ1	R95TA0701317MSA	RCF3617STAM	28600 [8.4]	21300 [6.2]	7300 [2.1]	14.50	12.00	925 [436.6]	7490968
		RCF3621HTAM	30000 [8.8]	22700 [6.7]	7300 [2.1]	16.00	13.00	975 [460.1]	8083398
		RCF3621MTAM	30000 [8.8]	22700 [6.7]	7300 [2.1]	15.50	13.00	950 [448.4]	7490984
		RCF3621STAM	28600 [8.4]	21300 [6.2]	7300 [2.1]	14.50	12.00	925 [436.6]	7491012
RA1436AJ1	R95TA0401317MSA	RCF3617STAM	34600 [10.1]	25000 [7.3]	9600 [2.8]	14.50	12.00	1050 [495.5]	8387867
		RCF3621HTAM	36000 [10.6]	25900 [7.6]	10100 [3.0]	16.00	13.00	1125 [530.9]	8083474
		RCF3621MTAM	36000 [10.6]	25900 [7.6]	10100 [3.0]	15.50	13.00	1100 [519.1]	8387901
		RCF3621STAM	34000 [10.0]	23900 [7.0]	10100 [3.0]	15.00	12.50	925 [436.6]	8387930
RA1436AJ1	R95TA0601317MSA	RCF3617STAM	34200 [10.0]	24400 [7.2]	9800 [2.9]	14.00	11.50	1000 [471.9]	7491529
		RCF3621HTAM	36000 [10.6]	25900 [7.6]	10100 [3.0]	15.50	13.00	1075 [507.3]	8083475
		RCF3621MTAM	36000 [10.6]	25900 [7.6]	10100 [3.0]	15.10	12.50	1050 [495.5]	7491545
		RCF3621STAM	34400 [10.1]	24700 [7.2]	9700 [2.8]	14.50	12.00	1025 [483.7]	7491573
RA1436AJ1	R95TA0701317MSA	RCF3617STAM	34400 [10.1]	24700 [7.2]	9700 [2.8]	14.00	11.50	1025 [483.7]	7491530
		RCF3621HTAM	36000 [10.6]	25900 [7.6]	10100 [3.0]	15.50	13.00	975 [460.1]	8083476
		RCF3621MTAM	36000 [10.6]	25900 [7.6]	10100 [3.0]	15.10	12.50	1075 [507.3]	7491546
		RCF3621STAM	33800 [9.9]	23700 [6.9]	10100 [3.0]	14.50	12.00	925 [436.6]	7491574

[ ] Designates Metric Conversions

## Performance Data @ AHRI Standard Conditions – Cooling (con't.)

R95T: 95% AFUE single-stage Constant Torque Multipoise Gas Furnace Ratings									
Outdoor Unit	Furnace	Indoor Coil	Total Capacity BTU/H [kW]	Net Sensible BTU/H [kW]	Net Latent BTU/H [kW]	SEER	EER	Indoor CFM [L/s]	AHRI#
RA1442AJ1	R95TA0401317MSA	RCF4821MTAM	42000 [12.3]	28400 [8.3]	13600 [4.0]	14.50	12.00	1175 [554.5]	8083557
		RCF4821STAM	41000 [12.0]	29300 [8.6]	11700 [3.4]	14.50	12.00	1175 [554.5]	8388671
RA1442AJ1	R95TA0601317MSA	RCF4821MTAM	41500 [12.2]	28200 [8.3]	13300 [3.9]	14.00	11.50	1225 [578.1]	8083558
		RCF4821STAM	40500 [11.9]	29100 [8.5]	11400 [3.3]	14.00	11.50	1225 [578.1]	7491995
RA1442AJ1	R95TA0701317MSA	RCF4821MTAM	41500 [12.2]	27700 [8.1]	13800 [4.0]	14.50	12.00	1125 [530.9]	8083559
		RCF4821STAM	40500 [11.9]	28500 [8.4]	12000 [3.5]	14.00	11.50	1125 [530.9]	7491996
RA1442AJ1	R95TA0851521MSA	RCF4821MTAM	42000 [12.3]	31600 [9.3]	10400 [3.0]	14.50	12.00	1450 [684.3]	8083560
		RCF4821STAM	41500 [12.2]	31200 [9.1]	10300 [3.0]	14.00	11.50	1325 [625.3]	7491997
		RCF4824HTAM	42000 [12.3]	31600 [9.3]	10400 [3.0]	15.00	12.50	1350 [637.1]	7492021
		RCF4824STAM	41500 [12.2]	31200 [9.1]	10300 [3.0]	14.00	11.50	1325 [625.3]	7492045
RA1442AJ1	R95TA0851521MSB	RCF4821MTAM	42000 [12.3]	31600 [9.3]	10400 [3.0]	14.50	12.00	1450 [684.3]	8388622
		RCF4821STAM	41500 [12.2]	31200 [9.1]	10300 [3.0]	14.00	11.50	1425 [672.5]	8388672
		RCF4824HTAM	42000 [12.3]	31600 [9.3]	10400 [3.0]	14.50	12.00	1475 [696.1]	8388709
		RCF4824STAM	41500 [12.2]	31200 [9.1]	10300 [3.0]	14.00	11.50	1425 [672.5]	8388735
RA1442AJ1	R95TA1001521MSA	RCF4821MTAM	42000 [12.3]	31600 [9.3]	10400 [3.0]	14.50	12.00	1400 [660.7]	8083561
		RCF4821STAM	42000 [12.3]	31500 [9.2]	10500 [3.1]	14.00	11.50	1400 [660.7]	7491998
		RCF4824HTAM	42000 [12.3]	31600 [9.3]	10400 [3.0]	14.50	12.00	1500 [707.9]	7492022
		RCF4824STAM	42000 [12.3]	31500 [9.2]	10500 [3.1]	14.00	11.50	1400 [660.7]	7492046
RA1442AJ1	R95TA1151524MSA	RCF4824HTAM	42000 [12.3]	31600 [9.3]	10400 [3.0]	15.00	12.50	1300 [613.5]	7492023
		RCF4824STAM	41000 [12.0]	31200 [9.1]	10300 [3.0]	14.50	12.00	1275 [601.7]	7492047
RA1448AJ1	R95TA0601317MSA	RCF4821MTAM	45500 [13.3]	29900 [8.8]	15600 [4.6]	14.00	11.70	1225 [578.1]	8083636
		RCF4821STAM	45000 [13.2]	31400 [9.2]	13600 [4.0]	14.00	11.70	1225 [578.1]	7492370
RA1448AJ1	R95TA0851521MSA	RCF4821MTAM	46500 [13.6]	32700 [9.6]	14300 [4.2]	14.50	12.00	1325 [625.3]	8083637
		RCF4821STAM	45500 [13.3]	33600 [9.8]	12400 [3.6]	14.00	11.70	1400 [660.7]	7492371
		RCF4824HTAM	47500 [13.9]	33300 [9.8]	14200 [4.2]	14.50	12.00	1450 [684.3]	7492393
		RCF4824STAM	45500 [13.3]	33600 [9.8]	12400 [3.6]	14.00	11.70	1400 [660.7]	7492415
RA1448AJ1	R95TA0851521MSB	RCF4821MTAM	47000 [13.8]	32700 [9.6]	14300 [4.2]	14.50	12.00	1450 [684.3]	8389364
		RCF4821STAM	46000 [13.5]	33600 [9.8]	12400 [3.6]	14.00	11.70	1425 [672.5]	8389405
		RCF4824HTAM	47500 [13.9]	33300 [9.8]	14200 [4.2]	14.50	12.00	1475 [696.1]	8389441
		RCF4824STAM	46000 [13.5]	33600 [9.8]	12400 [3.6]	14.00	11.70	1425 [672.5]	8389467
RA1448AJ1	R95TA1001521MSA	RCF4821MTAM	47000 [13.8]	31900 [9.3]	14600 [4.3]	14.00	11.70	1525 [719.7]	8083639
		RCF4821STAM	46000 [13.5]	34100 [10.0]	11900 [3.5]	14.00	11.70	1450 [684.3]	7492372
		RCF4824HTAM	47500 [13.9]	34400 [10.1]	13600 [4.0]	14.50	12.00	1425 [672.5]	7492394
		RCF4824STAM	46000 [13.5]	34100 [10.0]	11900 [3.5]	14.00	11.70	1450 [684.3]	7492416
RA1448AJ1	R95TA1151524MSA	RCF4824HTAM	47500 [13.9]	33100 [9.7]	14400 [4.2]	14.50	12.00	1425 [672.5]	7492395
		RCF4824STAM	46000 [13.5]	33400 [9.8]	12600 [3.7]	14.00	11.70	1400 [660.7]	7492417
RA1460AJ1	R95TA0851521MSA	RCF6024HTAM	56500 [16.6]	38400 [11.3]	18100 [5.3]	14.00	11.70	1450 [684.3]	7492625
		RCF6024STAM	56500 [16.6]	38400 [11.3]	18100 [5.3]	14.00	11.70	1450 [684.3]	7492637
RA1460AJ1	R95TA0851521MSB	RCF6024HTAM	56500 [16.6]	38400 [11.3]	18100 [5.3]	14.00	11.70	1450 [684.3]	8237814
		RCF6024STAM	56500 [16.6]	38400 [11.3]	18100 [5.3]	14.00	11.70	1450 [684.3]	8237815
RA1460AJ1	R95TA1001521MSA	RCF6024HTAM	57000 [16.7]	39700 [11.6]	17300 [5.1]	14.00	11.70	1550 [731.5]	7492626
		RCF6024STAM	57000 [16.7]	39700 [11.6]	17300 [5.1]	14.00	11.70	1550 [731.5]	7492638
RA1460AJ1	R95TA1151524MSA	RCF6024STAM	56000 [16.4]	37800 [11.1]	18200 [5.3]	14.00	11.70	1425 [672.5]	8389905

[ ] Designates Metric Conversions

## Performance Data @ AHRI Standard Conditions – Cooling (con't.)

R96V: 96% AFUE 2-stage Variable Speed Multipoise Gas Furnace Ratings									
Outdoor Unit	Furnace	Indoor Coil	Total Capacity BTU/H [kW]	Net Sensible BTU/H [kW]	Net Latent BTU/H [kW]	SEER	EER	Indoor CFM [L/s]	AHRI#
RA1418AJ1	R96VA0402317MSA	RCF2417HTAM	18000 [5.3]	13700 [4.0]	4300 [1.3]	16.00	13.00	675 [318.6]	7599511
		RCF2417MTAM	18000 [5.3]	13700 [4.0]	4300 [1.3]	16.00	13.00	675 [318.6]	7599515
		RCF2417STAM	18000 [5.3]	13700 [4.0]	4300 [1.3]	15.50	13.00	675 [318.6]	7599519
		RCF2421MTAM	18000 [5.3]	13700 [4.0]	4300 [1.3]	16.00	13.00	675 [318.6]	7599529
RA1418AJ1	R96VA0602317MSA	RCF2417HTAM	18700 [5.5]	13700 [4.0]	4300 [1.3]	15.50	13.00	700 [330.4]	7490520
		RCF2417MTAM	18700 [5.5]	13700 [4.0]	4300 [1.3]	15.50	13.00	700 [330.4]	7490534
		RCF2417STAM	17800 [5.2]	13700 [4.0]	4300 [1.3]	15.50	13.00	525 [247.8]	7490548
		RCF2421MTAM	18700 [5.5]	13700 [4.0]	4300 [1.3]	15.50	13.00	700 [330.4]	7490582
RA1418AJ1	R96VA0702317MSA	RCF2417HTAM	18800 [5.5]	13700 [4.0]	4300 [1.3]	16.00	13.00	700 [330.4]	7490521
		RCF2417MTAM	18700 [5.5]	13700 [4.0]	4300 [1.3]	16.00	13.00	700 [330.4]	7490535
		RCF2417STAM	18700 [5.5]	13700 [4.0]	4300 [1.3]	15.50	13.00	700 [330.4]	7490549
		RCF2421MTAM	18700 [5.5]	13700 [4.0]	4300 [1.3]	16.00	13.00	700 [330.4]	7490583
RA1418AJ1	R96VA1002521MSA	RCF2421MTAM	18800 [5.5]	14900 [4.4]	3900 [1.1]	16.00	13.00	700 [330.4]	7490584
RA1418AJ1	R96VA0402317MSA	RCF2421HTAM	18000 [5.3]	13700 [4.0]	4300 [1.3]	16.00	13.00	675 [318.6]	7599524
RA1418AJ1	R96VA0602317MSA	RCF2421HTAM	18700 [5.5]	13700 [4.0]	4300 [1.3]	15.50	13.00	700 [330.4]	7490562
RA1418AJ1	R96VA0702317MSA	RCF2421HTAM	18700 [5.5]	13700 [4.0]	4300 [1.3]	16.00	13.00	700 [330.4]	7490563
RA1418AJ1	R96VA1002521MSA	RCF2421HTAM	18800 [5.5]	14900 [4.4]	3900 [1.1]	16.00	13.00	700 [330.4]	7490564
RA1424AJ1	R96VA0402317MSA	RCF2417HTAM	24000 [7.0]	18100 [5.3]	5900 [1.7]	15.50	13.00	875 [413.0]	7599559
		RCF2417MTAM	24000 [7.0]	18100 [5.3]	5900 [1.7]	15.50	13.00	850 [401.2]	7599563
		RCF2417STAM	24000 [7.0]	18100 [5.3]	5900 [1.7]	15.10	12.50	875 [413.0]	7599567
		RCF2421MTAM	24000 [7.0]	18100 [5.3]	5900 [1.7]	15.50	13.00	875 [413.0]	7599581
RA1424AJ1	R96VA0602317MSA	RCF2417HTAM	24000 [7.0]	18100 [5.3]	5900 [1.7]	15.50	13.00	800 [377.6]	7490734
		RCF2417MTAM	24000 [7.0]	18100 [5.3]	5900 [1.7]	15.50	13.00	800 [377.6]	7490750
		RCF2417STAM	24000 [7.0]	18100 [5.3]	5900 [1.7]	15.10	12.50	700 [330.4]	7490766
		RCF2421MTAM	24000 [7.0]	18100 [5.3]	5900 [1.7]	15.50	13.00	800 [377.6]	7490808
RA1424AJ1	R96VA0702317MSA	RCF2417HTAM	24000 [7.0]	18100 [5.3]	5900 [1.7]	15.50	13.00	875 [413.0]	7490735
		RCF2417MTAM	24000 [7.0]	18100 [5.3]	5900 [1.7]	15.50	13.00	875 [413.0]	7490751
		RCF2417STAM	24000 [7.0]	18100 [5.3]	5900 [1.7]	15.10	12.50	875 [413.0]	7490767
		RCF2421MTAM	24000 [7.0]	18100 [5.3]	5900 [1.7]	15.50	13.00	875 [413.0]	7490809
RA1424AJ1	R96VA0852521MSB	RCF2421MTAM	24000 [7.0]	18100 [5.3]	5900 [1.7]	15.50	13.00	900 [424.8]	7490810
RA1424AJ1	R96VA1002521MSA	RCF2421MTAM	24000 [7.0]	18100 [5.3]	5900 [1.7]	16.00	13.00	800 [377.6]	7490811
RA1424AJ1	R96VA0402317MSA	RCF2421HTAM	24000 [7.0]	18100 [5.3]	5900 [1.7]	15.50	13.00	875 [413.0]	7599574
RA1424AJ1	R96VA0602317MSA	RCF2421HTAM	24000 [7.0]	18100 [5.3]	5900 [1.7]	15.50	13.00	800 [377.6]	7490782
RA1424AJ1	R96VA0702317MSA	RCF2421HTAM	24000 [7.0]	18100 [5.3]	5900 [1.7]	15.50	13.00	875 [413.0]	7490783
RA1424AJ1	R96VA0852521MSB	RCF2421HTAM	24000 [7.0]	18100 [5.3]	5900 [1.7]	15.50	13.00	900 [424.8]	7490784
RA1424AJ1	R96VA1002521MSA	RCF2421HTAM	24000 [7.0]	18100 [5.3]	5900 [1.7]	16.00	13.00	800 [377.6]	7490785
RA1430AJ1	R96VA0402317MSA	RCF3617STAM	28600 [8.4]	21200 [6.2]	7400 [2.2]	15.10	12.50	875 [413.0]	7599615
		RCF3621HTAM	30000 [8.8]	22700 [6.7]	7300 [2.1]	16.00	13.00	1025 [483.7]	8083399
		RCF3621MTAM	30000 [8.8]	22700 [6.7]	7300 [2.1]	16.00	13.00	950 [448.4]	7599622
		RCF3621STAM	28800 [8.4]	21200 [6.2]	7400 [2.2]	15.10	12.50	925 [436.6]	7599629
RA1430AJ1	R96VA0602317MSA	RCF3617STAM	28200 [8.3]	20400 [6.0]	7800 [2.3]	15.10	12.50	800 [377.6]	7490969
		RCF3621HTAM	30000 [8.8]	22700 [6.7]	7300 [2.1]	16.00	13.00	975 [460.1]	8083400
		RCF3621MTAM	29800 [8.7]	22700 [6.7]	7300 [2.1]	15.50	13.00	800 [377.6]	7490985
		RCF3621STAM	28200 [8.3]	20400 [6.0]	7800 [2.3]	15.10	12.50	800 [377.6]	7491013
RA1430AJ1	R96VA0702317MSA	RCF3617STAM	28600 [8.4]	21200 [6.2]	7400 [2.2]	15.10	12.50	875 [413.0]	7490970
		RCF3621HTAM	30000 [8.8]	22700 [6.7]	7300 [2.1]	16.00	13.00	1050 [495.5]	8083401
		RCF3621MTAM	30000 [8.8]	22700 [6.7]	7300 [2.1]	16.00	13.00	875 [413.0]	7490986
		RCF3621STAM	28600 [8.4]	21200 [6.2]	7400 [2.2]	15.10	12.50	875 [413.0]	7491014

[ ] Designates Metric Conversions

## Performance Data @ AHRI Standard Conditions – Cooling (con't.)

R96V: 96% AFUE 2-stage Variable Speed Multipoise Gas Furnace Ratings									
Outdoor Unit	Furnace	Indoor Coil	Total Capacity BTU/H [kW]	Net Sensible BTU/H [kW]	Net Latent BTU/H [kW]	SEER	EER	Indoor CFM [L/s]	AHRI#
RA1430AJ1	R96VA0852521MSB	RCF3621HTAM	30000 [8.8]	22700 [6.7]	7300 [2.1]	16.00	13.00	1075 [507.3]	8083402
		RCF3621MTAM	30000 [8.8]	22700 [6.7]	7300 [2.1]	16.00	13.00	1025 [483.7]	7490987
		RCF3621STAM	28800 [8.4]	22100 [6.5]	7100 [2.1]	15.10	12.50	900 [424.8]	7491015
		RCF3624HTAM	30000 [8.8]	22700 [6.7]	7300 [2.1]	16.00	13.00	1025 [483.7]	7491040
		RCF3624MTAM	30000 [8.8]	22700 [6.7]	7300 [2.1]	16.00	13.00	1025 [483.7]	7491061
RA1430AJ1	R96VA1002521MSA	RCF3621HTAM	30000 [8.8]	22700 [6.7]	7300 [2.1]	16.00	13.00	1050 [495.5]	8083403
		RCF3621MTAM	30000 [8.8]	22700 [6.7]	7300 [2.1]	16.00	13.00	1050 [495.5]	7490988
		RCF3621STAM	28400 [8.3]	22600 [6.6]	6800 [2.0]	15.50	13.00	800 [377.6]	7491016
		RCF3624HTAM	30000 [8.8]	22700 [6.7]	7300 [2.1]	16.00	13.00	1050 [495.5]	7491041
		RCF3624MTAM	30000 [8.8]	22700 [6.7]	7300 [2.1]	16.00	13.00	1050 [495.5]	7491062
RA1430AJ1	R96VA1152524MSA	RCF3624HTAM	30000 [8.8]	22700 [6.7]	7300 [2.1]	16.00	13.00	1050 [495.5]	7599635
		RCF3624MTAM	30000 [8.8]	22700 [6.7]	7300 [2.1]	16.00	13.00	1050 [495.5]	7599641
RA1436AJ1	R96VA0402317MSA	RCF3617STAM	34600 [10.1]	24900 [7.3]	9700 [2.8]	14.50	12.00	1025 [483.7]	7600176
		RCF3621HTAM	36000 [10.6]	25900 [7.6]	10100 [3.0]	16.00	13.00	1025 [483.7]	8083477
		RCF3621MTAM	36000 [10.6]	25900 [7.6]	10100 [3.0]	15.50	13.00	1025 [483.7]	7600183
		RCF3621STAM	34800 [10.2]	24900 [7.3]	9700 [2.8]	14.50	12.00	1125 [530.9]	7600190
RA1436AJ1	R96VA0602317MSA	RCF3617STAM	34400 [10.1]	24300 [7.1]	9900 [2.9]	14.00	11.50	1050 [495.5]	7491531
		RCF3621HTAM	36000 [10.6]	25900 [7.6]	10100 [3.0]	15.50	13.00	1050 [495.5]	8083478
		RCF3621MTAM	36000 [10.6]	25900 [7.6]	10100 [3.0]	15.10	12.50	1050 [495.5]	7491547
		RCF3621STAM	34400 [10.1]	24300 [7.1]	9900 [2.9]	14.50	12.00	1050 [495.5]	7491575
RA1436AJ1	R96VA0702317MSA	RCF3617STAM	34400 [10.1]	24800 [7.3]	9600 [2.8]	14.50	12.00	1050 [495.5]	7491532
		RCF3621HTAM	36000 [10.6]	25900 [7.6]	10100 [3.0]	15.50	13.00	1150 [542.7]	8083479
		RCF3621MTAM	36000 [10.6]	25900 [7.6]	10100 [3.0]	15.50	13.00	1050 [495.5]	7491548
		RCF3621STAM	34600 [10.1]	25000 [7.3]	9600 [2.8]	14.50	12.00	1050 [495.5]	7491576
RA1436AJ1	R96VA0852521MSB	RCF3621HTAM	36000 [10.6]	25900 [7.6]	10100 [3.0]	16.00	13.00	1200 [566.3]	8083480
		RCF3621MTAM	36000 [10.6]	25900 [7.6]	10100 [3.0]	15.50	13.00	1200 [566.3]	7491549
		RCF3621STAM	34600 [10.1]	24900 [7.3]	9700 [2.8]	15.00	12.50	1025 [483.7]	7491577
		RCF3624HTAM	36000 [10.6]	25900 [7.6]	10100 [3.0]	16.00	13.00	1275 [601.7]	7491602
		RCF3624MTAM	36000 [10.6]	25900 [7.6]	10100 [3.0]	15.50	13.00	1200 [566.3]	7491623
RA1436AJ1	R96VA1002521MSA	RCF3621HTAM	36000 [10.6]	25900 [7.6]	10100 [3.0]	16.00	13.00	1225 [578.1]	8083481
		RCF3621MTAM	36000 [10.6]	25900 [7.6]	10100 [3.0]	15.50	13.00	1225 [578.1]	7491550
		RCF3621STAM	34000 [10.0]	25000 [7.3]	9600 [2.8]	15.10	12.50	925 [436.6]	7491578
		RCF3624HTAM	36000 [10.6]	25900 [7.6]	10100 [3.0]	16.00	13.00	1325 [625.3]	7491603
		RCF3624MTAM	36000 [10.6]	25900 [7.6]	10100 [3.0]	15.50	13.00	1225 [578.1]	7491624
RA1436AJ1	R96VA1152524MSA	RCF3624HTAM	36000 [10.6]	25900 [7.6]	10100 [3.0]	16.00	13.00	1250 [589.9]	7600196
		RCF3624MTAM	36000 [10.6]	25900 [7.6]	10100 [3.0]	16.00	13.00	1225 [578.1]	7600202
RA1442AJ1	R96VA0402317MSA	RCF4821MTAM	41500 [12.2]	27700 [8.1]	13800 [4.0]	15.00	12.50	1125 [530.9]	8083562
		RCF4821STAM	40500 [11.9]	28500 [8.4]	12000 [3.5]	14.50	12.00	1125 [530.9]	7600525
RA1442AJ1	R96VA0602317MSA	RCF4821MTAM	41500 [12.2]	27700 [8.1]	13800 [4.0]	14.50	12.00	1125 [530.9]	8083563
		RCF4821STAM	40500 [11.9]	28500 [8.4]	12000 [3.5]	14.00	11.50	1125 [530.9]	8388673
RA1442AJ1	R96VA0702317MSA	RCF4821MTAM	41500 [12.2]	27800 [8.1]	13700 [4.0]	15.00	12.50	1150 [542.7]	8083564
		RCF4821STAM	40500 [11.9]	28700 [8.4]	11800 [3.5]	14.50	12.00	1150 [542.7]	8388674
RA1442AJ1	R96VA0852521MSB	RCF4821MTAM	42000 [12.3]	31600 [9.3]	10400 [3.0]	15.10	12.50	1275 [601.7]	8083566
		RCF4821STAM	41500 [12.2]	30500 [8.9]	11000 [3.2]	14.50	12.00	1275 [601.7]	7491999
		RCF4824HTAM	42000 [12.3]	31600 [9.3]	10400 [3.0]	15.10	12.50	1275 [601.7]	7492024
		RCF4824STAM	41500 [12.2]	30500 [8.9]	11000 [3.2]	14.50	12.00	1275 [601.7]	7492048

[ ] Designates Metric Conversions



## Performance Data @ AHRI Standard Conditions – Cooling (con't.)

R96V: 96% AFUE 2-stage Variable Speed Multipoise Gas Furnace Ratings									
Outdoor Unit	Furnace	Indoor Coil	Total Capacity BTU/H [kW]	Net Sensible BTU/H [kW]	Net Latent BTU/H [kW]	SEER	EER	Indoor CFM [L/s]	AHRI#
RA1442AJ1	R96VA1002521MSA	RCF4821MTAM	42000 [12.3]	28800 [8.4]	13200 [3.9]	15.10	12.50	1250 [589.9]	8083567
		RCF4821STAM	42000 [12.3]	30800 [9.0]	10700 [3.1]	14.50	12.00	1400 [660.7]	7492000
		RCF4824HTAM	42000 [12.3]	31600 [9.3]	10400 [3.0]	15.10	12.50	1400 [660.7]	7492025
		RCF4824STAM	42000 [12.3]	30800 [9.0]	10700 [3.1]	14.50	12.00	1400 [660.7]	7492049
RA1442AJ1	R96VA1152524MSA	RCF4824HTAM	42000 [12.3]	31600 [9.3]	10400 [3.0]	15.50	13.00	1400 [660.7]	7600531
		RCF4824STAM	41500 [12.2]	30200 [8.9]	11300 [3.3]	15.10	12.50	1250 [589.9]	7600537
RA1448AJ1	R96VA0852521MSB	RCF4821MTAM	46500 [13.6]	31600 [9.3]	14900 [4.4]	14.50	12.00	1350 [637.1]	8083640
		RCF4821STAM	45000 [13.2]	32200 [9.4]	13300 [3.9]	14.50	12.00	1200 [566.3]	7492373
		RCF4824HTAM	47000 [13.8]	31700 [9.3]	15300 [4.5]	14.50	12.00	1350 [637.1]	7492396
		RCF4824STAM	45000 [13.2]	32200 [9.4]	13300 [3.9]	14.50	12.00	1200 [566.3]	7492418
RA1448AJ1	R96VA1002521MSA	RCF4821MTAM	47000 [13.8]	32700 [9.6]	14300 [4.2]	14.50	12.00	1400 [660.7]	8083641
		RCF4821STAM	45500 [13.3]	32600 [9.6]	12900 [3.8]	14.50	12.00	1225 [578.1]	7492374
		RCF4824HTAM	47000 [13.8]	32700 [9.6]	14800 [4.3]	15.00	12.50	1325 [625.3]	7492397
		RCF4824STAM	45500 [13.3]	32600 [9.6]	12900 [3.8]	14.50	12.00	1225 [578.1]	7492419
RA1448AJ1	R96VA1152524MSA	RCF4824HTAM	48000 [14.1]	34300 [10.1]	13700 [4.0]	15.10	12.50	1450 [684.3]	7600878
		RCF4824STAM	46500 [13.6]	31900 [9.3]	13600 [4.0]	14.50	12.00	1450 [684.3]	7600884
RA1460AJ1	R96VA0852521MSB	RCF6024HTAM	57000 [16.7]	39700 [11.6]	17300 [5.1]	14.00	11.70	1550 [731.5]	8389878
		RCF6024STAM	57000 [16.7]	39700 [11.6]	17300 [5.1]	14.00	11.70	1550 [731.5]	8389906
RA1460AJ1	R96VA1002521MSA	RCF6024HTAM	57000 [16.7]	39700 [11.6]	17300 [5.1]	14.00	11.70	1550 [731.5]	8389879
		RCF6024STAM	57000 [16.7]	39700 [11.6]	17300 [5.1]	14.00	11.70	1550 [731.5]	8389907
RA1460AJ1	R96VA1152524MSA	RCF6024HTAM	57500 [16.9]	38900 [11.4]	18100 [5.3]	14.50	12.00	1575 [743.3]	7601044
		RCF6024STAM	57500 [16.9]	38900 [11.4]	18100 [5.3]	14.50	12.00	1575 [743.3]	7601050

[ ] Designates Metric Conversions

## Performance Data @ AHRI Standard Conditions – Cooling (con't.)

Air Handler Ratings								
Outdoor Unit	Air Handler	Total Capacity BTU/H [kW]	Net Sensible BTU/H [kW]	Net Latent BTU/H [kW]	SEER	EER	Indoor CFM [L/s]	AHRI#
RA1418AJ1	RF1P1821STAN	17700 [5.2]	13000 [3.8]	4700 [1.4]	14.00	11.50	550 [259.6]	8412932
	RF1T2421MTAN	18000 [5.3]	13700 [4.0]	4300 [1.3]	15.50	13.00	625 [295.0]	7884959
	RBHP-17	18000 [5.3]	12000 [3.5]	5900 [1.7]	15.00	12.50	600 [283.2]	7493619
	RH1P1817STAN	17900 [5.2]	13700 [4.0]	4200 [1.2]	14.00	11.50	600 [283.2]	7490727
	RH1T2417STAN	18000 [5.3]	13700 [4.0]	4300 [1.3]	15.50	13.00	600 [283.2]	7490728
	RH2T2421MTAN	18800 [5.5]	14900 [4.4]	3900 [1.1]	16.00	13.00	700 [330.4]	7490730
	RH1V2417STAN	18000 [5.3]	13700 [4.0]	4300 [1.3]	16.00	13.00	650 [306.8]	7490729
RA1424AJ1	RF1T2421MTAN	23800 [7.0]	18500 [5.4]	5300 [1.6]	15.00	12.50	800 [377.6]	7884962
	RBHP-17	24000 [7.0]	18100 [5.3]	5900 [1.7]	14.50	12.00	800 [377.6]	7493626
	RH1P2417STAN	24000 [7.0]	18100 [5.3]	5900 [1.7]	14.00	11.50	800 [377.6]	7490963
	RH1T2417STAN	24000 [7.0]	18100 [5.3]	5900 [1.7]	15.50	13.00	800 [377.6]	7490964
	RH2T2421MTAN	24000 [7.0]	16400 [4.8]	7400 [2.2]	16.00	13.00	700 [330.4]	7490966
	RH1V2417STAN	24000 [7.0]	18100 [5.3]	5900 [1.7]	15.50	13.00	850 [401.2]	7490965
	RH2V2421HTAC	24000 [7.0]	18100 [5.3]	5900 [1.7]	15.50	13.00	800 [377.6]	8387163
RA1430AJ1	RF1P3024SPAN	29400 [8.6]	21500 [6.3]	7900 [2.3]	14.00	11.50	900 [424.8]	7885893
	RF1P3024STAN	29400 [8.6]	21500 [6.3]	7900 [2.3]	14.00	11.50	900 [424.8]	8412933
	RF1T3624MTAN	30000 [8.8]	22700 [6.7]	7300 [2.1]	16.00	13.00	1025 [483.7]	7884965
	RBHP-21	29800 [8.7]	20400 [6.0]	9400 [2.8]	16.00	13.00	1000 [471.9]	7493633
	RH1P3017STAN	28600 [8.4]	21400 [6.3]	7200 [2.1]	14.00	11.50	950 [448.4]	7491225
	RH1T3617STAN	29400 [8.6]	22400 [6.6]	7000 [2.1]	15.50	13.00	1000 [471.9]	7491226
	RH1T3621HTAN	30000 [8.8]	22700 [6.7]	7300 [2.1]	16.00	13.00	1000 [471.9]	8083413
	RH1T3621MTAN	31600 [9.3]	22700 [6.7]	7300 [2.1]	16.00	13.00	1175 [554.5]	7491227
	RH1V3617STAN	29200 [8.6]	22200 [6.5]	7000 [2.1]	15.00	12.50	1025 [483.7]	7491228
	RH1V3621HTAN	30000 [8.8]	22700 [6.7]	7300 [2.1]	16.00	13.00	1000 [471.9]	8083414
	RH1V3621MTAN	30000 [8.8]	22700 [6.7]	7300 [2.1]	16.00	13.00	1000 [471.9]	7491229
	RH2V3624HTAC	32400 [9.5]	24600 [7.2]	7800 [2.3]	16.00	13.00	1200 [566.3]	7491230
	RA1436AJ1	RF1P3624SPAN	36000 [10.6]	25900 [7.6]	10100 [3.0]	14.00	11.50	1100 [519.1]
RF1P3624STAN		36000 [10.6]	25900 [7.6]	10100 [3.0]	14.00	11.50	1100 [519.1]	7884987
RF1T3624MTAN		36000 [10.6]	25900 [7.6]	10100 [3.0]	15.50	13.00	1025 [483.7]	7884989
RBHP-21		36000 [10.6]	25900 [7.6]	10100 [3.0]	15.50	13.00	1200 [566.3]	7493646
RH1P3017STAN		33800 [9.9]	23800 [7.0]	10000 [2.9]	14.00	11.50	950 [448.4]	7491806
RH1P3617STAN		34000 [10.0]	25200 [7.4]	8800 [2.6]	14.00	11.50	1150 [542.7]	7499174
RH1P3621STAN		34000 [10.0]	25200 [7.4]	8800 [2.6]	14.00	11.50	1150 [542.7]	8200411
RH1T3617STAN		34600 [10.1]	26700 [7.8]	8900 [2.6]	15.50	13.00	1000 [471.9]	7491807
RH1T3621HTAN		36000 [10.6]	25900 [7.6]	10100 [3.0]	16.00	13.00	1200 [566.3]	8083491
RH1T3621MTAN		36000 [10.6]	25900 [7.6]	10100 [3.0]	16.00	13.00	1175 [554.5]	7491808
RH1V3617STAN		34800 [10.2]	25100 [7.4]	9700 [2.8]	15.00	12.50	1025 [483.7]	7491809
RH1V3621HTAN		36000 [10.6]	25900 [7.6]	10100 [3.0]	16.00	13.00	1200 [566.3]	8083492
RH1V3621MTAN		36000 [10.6]	25900 [7.6]	10100 [3.0]	16.00	13.00	1200 [566.3]	7491810
RH2V3624HTAC		36000 [10.6]	25900 [7.6]	10100 [3.0]	16.00	13.00	1200 [566.3]	7491811
RA1442AJ1		RBHP-24	42000 [12.3]	28100 [8.2]	13900 [4.1]	15.50	13.00	1400 [660.7]
	RH1P4221STAN	41500 [12.2]	31400 [9.2]	10100 [3.0]	14.00	11.50	1425 [672.5]	7499224
	RH1T4821MTAN	42000 [12.3]	31600 [9.3]	10400 [3.0]	15.50	13.00	1400 [660.7]	8083578
	RH1T4821STAN	42000 [12.3]	31600 [9.3]	10400 [3.0]	15.00	12.50	1400 [660.7]	7492161
	RH1T4824STAN	42000 [12.3]	32500 [9.5]	9500 [2.8]	15.00	12.50	1550 [731.5]	7492162
	RH2T4824MTAN	42000 [12.3]	31600 [9.3]	10400 [3.0]	16.00	13.00	1400 [660.7]	7492164
	RH1V4821MTAN	42000 [12.3]	31600 [9.3]	10400 [3.0]	15.00	12.50	1425 [672.5]	8083579
	RH1V4821STAN	42000 [12.3]	30100 [8.8]	11400 [3.3]	15.00	12.50	1400 [660.7]	7492163
RH2V4824HTAC	44500 [13.0]	33300 [9.8]	11200 [3.3]	15.50	13.00	1600 [755.1]	7492165	

[ ] Designates Metric Conversions

## Performance Data @ AHRI Standard Conditions – Cooling (con't.)

Air Handler Ratings								
Outdoor Unit	Air Handler	Total Capacity BTU/H [kW]	Net Sensible BTU/H [kW]	Net Latent BTU/H [kW]	SEER	EER	Indoor CFM [L/s]	AHRI#
RA1448AJ1	RBHP-24	45500 [13.3]	29600 [8.7]	15900 [4.7]	15.00	12.50	1400 [660.7]	7493661
	RH1P4821STAN	45500 [13.3]	34000 [10.0]	11500 [3.4]	14.00	11.70	1575 [743.3]	7600905
	RH1T4821MTAN	47000 [13.8]	34700 [10.2]	13300 [3.9]	15.00	12.50	1400 [660.7]	8083650
	RH1T4821STAN	47000 [13.8]	33900 [9.9]	12600 [3.7]	14.50	12.00	1575 [743.3]	7492558
	RH1T4824STAN	47000 [13.8]	35400 [10.4]	11600 [3.4]	15.00	12.50	1550 [731.5]	7492559
	RH2T4824MTAN	48000 [14.1]	33500 [9.8]	14500 [4.2]	15.50	13.00	1400 [660.7]	7492562
	RH1V4821MTAN	47500 [13.9]	33000 [9.7]	14500 [4.2]	15.00	12.50	1425 [672.5]	8083653
	RH1V4821STAN	46000 [13.5]	31900 [9.3]	13600 [4.0]	14.50	12.00	1400 [660.7]	7492560
	RH1V4824STAN	47500 [13.9]	36400 [10.7]	11100 [3.3]	14.50	12.00	1625 [766.9]	7492561
	RH2V4824HTAC	48000 [14.1]	35300 [10.3]	12700 [3.7]	15.00	12.50	1600 [755.1]	7492563
RA1460AJ1	RBHP-25	56000 [16.4]	38900 [11.4]	17100 [5.0]	14.00	11.70	1800 [849.5]	8237813
	RH1T6021STAN	56000 [16.4]	37600 [11.0]	18400 [5.4]	14.00	11.70	1575 [743.3]	8083693
	RH1T6024STAN	58000 [17.0]	41100 [12.0]	16900 [5.0]	14.50	12.00	1600 [755.1]	7492673
	RH2T6024STAN	57500 [16.9]	40600 [11.9]	16900 [5.0]	14.50	12.00	1600 [755.1]	7492675
	RH1V6021STAN	56000 [16.4]	39000 [11.4]	17500 [5.1]	14.00	11.70	1600 [755.1]	8083695
		RH1V6024STAN	59000 [17.3]	43700 [12.8]	15300 [4.5]	14.50	12.00	1800 [849.5]

[ ] Designates Metric Conversions

## Performance Data @ AHRI Standard Conditions – Cooling (con't.)

Ratings									
Outdoor Unit	Furnace	Indoor Coil	Total Capacity BTU/H [kW]	Net Sensible BTU/H [kW]	Net Latent BTU/H [kW]	SEER	EER	Indoor CFM [L/s]	AHRI#
RA1418AJ1	RW1T04A2414NAA	RCF2414STAM	18000 [5.3]	13700 [4.0]	4300 [1.3]	15.50	13.00	625 [295.0]	8443759
		RCF2417HTAM	18000 [5.3]	13700 [4.0]	4300 [1.3]	16.00	13.00	650 [306.8]	8443760
		RCF2417MTAM	18000 [5.3]	13700 [4.0]	4300 [1.3]	16.00	13.00	650 [306.8]	8443762
		RCF2417STAM	18000 [5.3]	13700 [4.0]	4300 [1.3]	15.50	13.00	650 [306.8]	8443764
RA1418AJ1	RW1T06A3617NAA	RCF2417HTAM	17900 [5.2]	13700 [4.0]	4200 [1.2]	16.00	13.00	525 [247.8]	8443761
		RCF2417MTAM	17900 [5.2]	13700 [4.0]	4200 [1.2]	16.00	13.00	525 [247.8]	8443763
		RCF2417STAM	17800 [5.2]	13400 [3.9]	4400 [1.3]	15.50	13.00	525 [247.8]	8443765
		RCF2421MTAM	17900 [5.2]	13700 [4.0]	4200 [1.2]	16.00	13.00	525 [247.8]	8443767
		RCF2421HTAM	17900 [5.2]	13700 [4.0]	4200 [1.2]	16.00	13.00	525 [247.8]	8443766
RA1424AJ1	RW1T04A2414NAA	RCF2414STAM	24000 [7.0]	18100 [5.3]	5900 [1.7]	15.10	12.50	800 [377.6]	8443768
		RCF2417HTAM	23600 [6.9]	16100 [4.7]	7500 [2.2]	15.10	12.50	650 [306.8]	8443769
		RCF2417MTAM	23600 [6.9]	16100 [4.7]	7500 [2.2]	15.10	12.50	650 [306.8]	8443771
		RCF2417STAM	24000 [7.0]	18100 [5.3]	5900 [1.7]	15.10	12.50	800 [377.6]	8443773
RA1424AJ1	RW1T06A3617NAA	RCF2417HTAM	24000 [7.0]	18100 [5.3]	5900 [1.7]	14.50	12.00	850 [401.2]	8443770
		RCF2417MTAM	24000 [7.0]	18100 [5.3]	5900 [1.7]	14.50	12.00	850 [401.2]	8443772
		RCF2417STAM	24000 [7.0]	18100 [5.3]	5900 [1.7]	15.00	12.50	850 [401.2]	8443774
		RCF2421MTAM	24000 [7.0]	18100 [5.3]	5900 [1.7]	14.50	12.00	850 [401.2]	8443777
RA1424AJ1	RW1T08A4821NAA	RCF2421MTAM	23600 [6.9]	16200 [4.7]	7400 [2.2]	14.50	12.00	700 [330.4]	8443778
RA1424AJ1	RW1T06A3617NAA	RCF2421HTAM	24000 [7.0]	18100 [5.3]	5900 [1.7]	14.50	12.00	850 [401.2]	8443775
RA1424AJ1	RW1T08A4821NAA	RCF2421HTAM	23600 [6.9]	16200 [4.7]	7400 [2.2]	14.50	12.00	700 [330.4]	8443776
RA1430AJ1	RW1T06A3617NAA	RCF3617STAM	28600 [8.4]	21200 [6.2]	7400 [2.2]	14.50	12.00	900 [424.8]	8443779
		RCF3621HTAM	30000 [8.8]	22700 [6.7]	7300 [2.1]	16.00	13.00	950 [448.4]	8443780
		RCF3621MTAM	30000 [8.8]	22700 [6.7]	7300 [2.1]	15.50	13.00	925 [436.6]	8443781
		RCF3621STAM	28800 [8.4]	21500 [6.3]	7300 [2.1]	14.50	12.00	925 [436.6]	8443783
RA1430AJ1	RW1T08A4821NAA	RCF3621MTAM	30000 [8.8]	22700 [6.7]	7300 [2.1]	15.50	13.00	1075 [507.3]	8443782
		RCF3621STAM	29400 [8.6]	22600 [6.6]	6800 [2.0]	14.50	12.00	1050 [495.5]	8443784
		RCF3624MTAM	30000 [8.8]	22700 [6.7]	7300 [2.1]	15.50	13.00	1075 [507.3]	8443786
RA1430AJ1	RW1T10A6024NAA	RCF3624HTAM	30000 [8.8]	22700 [6.7]	7300 [2.1]	16.00	13.00	1075 [507.3]	8443785
		RCF3624MTAM	29800 [8.7]	21000 [6.2]	8800 [2.6]	16.00	13.00	800 [377.6]	8443787
RA1436AJ1	RW1T06A3617NAA	RCF3617STAM	35800 [10.5]	27100 [7.9]	8700 [2.5]	14.50	12.00	1250 [589.9]	8443806
		RCF3621HTAM	36000 [10.6]	25900 [7.6]	10100 [3.0]	15.50	13.00	1250 [589.9]	8443807
		RCF3621MTAM	36000 [10.6]	25900 [7.6]	10100 [3.0]	15.50	13.00	1275 [601.7]	8443809
		RCF3621STAM	35800 [10.5]	27100 [7.9]	8700 [2.5]	14.50	12.00	1250 [589.9]	8443811
RA1436AJ1	RW1T08A4821NAA	RCF3621HTAM	36000 [10.6]	25900 [7.6]	10100 [3.0]	16.00	13.00	1125 [530.9]	8443808
		RCF3621MTAM	36000 [10.6]	25900 [7.6]	10100 [3.0]	15.50	13.00	1075 [507.3]	8443810
		RCF3621STAM	35000 [10.3]	25800 [7.6]	9200 [2.7]	14.50	12.00	1150 [542.7]	8443812
		RCF3624HTAM	36000 [10.6]	25900 [7.6]	10100 [3.0]	16.00	13.00	1250 [589.9]	8443813
		RCF3624MTAM	36000 [10.6]	25900 [7.6]	10100 [3.0]	15.50	13.00	1075 [507.3]	8443814
RA1442AJ1	RW1T06A3617NAA	RCF4821MTAM	42000 [12.3]	31600 [9.3]	10400 [3.0]	15.10	12.50	1275 [601.7]	8443827
		RCF4821STAM	41500 [12.2]	30400 [8.9]	11100 [3.3]	14.50	12.00	1275 [601.7]	8443829
RA1442AJ1	RW1T08A4821NAA	RCF4821MTAM	42000 [12.3]	28700 [8.4]	13300 [3.9]	15.10	12.50	1225 [578.1]	8443828
		RCF4821STAM	41000 [12.0]	29600 [8.7]	11400 [3.3]	14.50	12.00	1225 [578.1]	8443830
		RCF4824HTAM	42000 [12.3]	31600 [9.3]	10400 [3.0]	15.10	12.50	1225 [578.1]	8443831
		RCF4824STAM	41000 [12.0]	29600 [8.7]	11400 [3.3]	14.50	12.00	1225 [578.1]	8443832
RA1448AJ1	RW1T06A3617NAA	RCF4821MTAM	46000 [13.5]	30500 [8.9]	15500 [4.5]	14.50	12.00	1250 [589.9]	8443849
		RCF4821STAM	45000 [13.2]	31400 [9.2]	13600 [4.0]	14.50	12.00	1225 [578.1]	8443851

[ ] Designates Metric Conversions

## Performance Data @ AHRI Standard Conditions – Cooling (con't.)

Ratings									
Outdoor Unit	Furnace	Indoor Coil	Total Capacity BTU/H [kW]	Net Sensible BTU/H [kW]	Net Latent BTU/H [kW]	SEER	EER	Indoor CFM [L/s]	AHRI#
RA1448AJ1	RW1T08A4821NAA	RCF4821MTAM	46500 [13.6]	31500 [9.2]	15000 [4.4]	14.00	11.70	1325 [625.3]	8443850
		RCF4821STAM	45000 [13.2]	31200 [9.1]	13800 [4.0]	14.50	12.00	1200 [566.3]	8443852
		RCF4824HTAM	47000 [13.8]	32200 [9.4]	14800 [4.3]	14.50	12.00	1350 [637.1]	8443853
		RCF4824STAM	45000 [13.2]	31200 [9.1]	13800 [4.0]	14.50	12.00	1200 [566.3]	8443855
RA1448AJ1	RW1T10A6024NAA	RCF4824HTAM	48000 [14.1]	35300 [10.3]	12700 [3.7]	14.50	12.00	1550 [731.5]	8443854
		RCF4824STAM	46500 [13.6]	34600 [10.1]	11900 [3.5]	14.00	11.70	1500 [707.9]	8443856
RA1460AJ1	RW1T10A6024NAA	RCF6024HTAM	57500 [16.9]	40200 [11.8]	17300 [5.1]	14.00	11.70	1550 [731.5]	8443865
		RCF6024STAM	57500 [16.9]	40200 [11.8]	17300 [5.1]	14.00	11.70	1550 [731.5]	8443866

[ ] Designates Metric Conversions

## GUIDE SPECIFICATIONS

### General

#### System Description

Outdoor-mounted, air-cooled, split-system air conditioner composite base pan unit suitable for ground or rooftop installation. Unit consists of a hermetic compressor, an air-cooled coil, propeller-type condenser fan, suction and legend line service valve, and a control box. Unit will discharge supply air upward as shown on contract drawings. Unit will be used in a refrigeration circuit to match up to a coil unit.

#### Quality Assurance

- Unit will be rated in accordance with the latest edition of AHRI Standard 210.
- Unit will be certified for capacity and efficiency, and listed in the latest AHRI directory.
- Unit construction will comply with latest edition of ANSI/ASHRAE and with NEC.
- Unit will be constructed in accordance with UL standards and will carry the UL label of approval. Unit will have c-UL-us approval.
- Unit cabinet will be capable of withstanding ASTM B117 1000-hr salt spray test.
- Air-cooled condenser coils will be leak tested at 150 psig and pressure tested at 550 psig.
- Unit constructed in ISO9001 approved facility.

#### Delivery, Storage, and Handling

- Unit will be shipped as single package only and is stored and handled per unit manufacturer's recommendations.

**Warranty (for inclusion by specifying engineer)** — U.S. and Canada only.

### Products

#### Equipment

Factory assembled, single piece, air-cooled air conditioner unit. Contained within the unit enclosure is all factory wiring, piping, controls, compressor, refrigerant charge R-410A, and special features required prior to field start-up.

#### Unit Cabinet

- Unit cabinet will be constructed of galvanized steel, bonderized, and coated with a powder coat paint.
- All units constructed with louver coil protection and corner post. Louver can be removed by removing one fastener per louver panel.

### AIR-COOLED, SPLIT-SYSTEM AIR CONDITIONER

#### RA14

#### 1-1/2 TO 5 NOMINAL TONS

#### Fans

- Condenser fan will be direct-drive propeller type, discharging air upward.
- Condenser fan motors will be totally enclosed, 1-phase type with class B insulation and permanently lubricated bearings. Shafts will be corrosion resistant.
- Fan blades will be statically and dynamically balanced.
- Condenser fan openings will be equipped with coated steel wire safety guards.

#### Compressor

- Compressor will be hermetically sealed.
- Compressor will be mounted on rubber vibration isolators.

#### Condenser Coil

- Condenser coil will be air cooled.
- Coil will be constructed of aluminum fins mechanically bonded to copper tubes.

#### Refrigeration Components

- Refrigeration circuit components will include liquid-line shutoff valve with sweat connections, vapor-line shutoff valve with sweat connections, system charge of R-410A refrigerant, and compressor oil.
- Unit will be equipped with filter drier for R-410A refrigerant for field installation.

#### Operating Characteristics

- The capacity of the unit will meet or exceed \_\_\_\_\_ Btuh at a suction temperature of \_\_\_\_\_ °F/°C. The power consumption at full load will not exceed \_\_\_\_\_ kW.
- Combination of the unit and the evaporator or fan coil unit will have a total net cooling capacity of \_\_\_\_\_ Btuh or greater at conditions of \_\_\_\_\_ CFM entering air temperature at the evaporator at \_\_\_\_\_ °F/°C wet bulb and \_\_\_\_\_ °F/°C dry bulb, and air entering the unit at \_\_\_\_\_ °F/°C.
- The system will have a SEER of \_\_\_\_\_ Btuh/watt or greater at DOE conditions.

#### Electrical Requirements

- Nominal unit electrical characteristics will be \_\_\_\_\_ v, single phase, 60 hz. The unit will be capable of satisfactory operation within voltage limits of \_\_\_\_\_ v to \_\_\_\_\_ v.
- Nominal unit electrical characteristics will be \_\_\_\_\_ v, three phase, 60 hz. The unit will be capable of satisfactory operation within voltage limits of \_\_\_\_\_ v to \_\_\_\_\_ v.
- Unit electrical power will be single point connection.
- Control circuit will be 24v.

#### Special Features

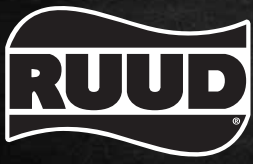
- Refer to section of this literature identifying accessories and descriptions for specific features and available enhancements.

**GENERAL TERMS OF LIMITED WARRANTY\***

Ruud will furnish a replacement for any part of this product which fails in normal use and service within the applicable period stated, in accordance with the terms of the limited warranty.

\*For complete details of the Limited and Conditional Warranties, including applicable terms and conditions, contact your local contractor or the Manufacturer for a copy of the product warranty certificate.

Conditional Parts  
(Registration Required) .....Ten (10) Years



*In keeping with its policy of continuous progress and product improvement, Ruud reserves the right to make changes without notice.*

Ruud Heating, Cooling & Water Heating • P.O. Box 17010  
Fort Smith, Arkansas 72917 • [www.ruud.com](http://www.ruud.com)

Ruud Canada • 125 Edgeware Road, Unit 1  
Brampton, Ontario • L6Y 0P5

**RELY ON RUUD.™**